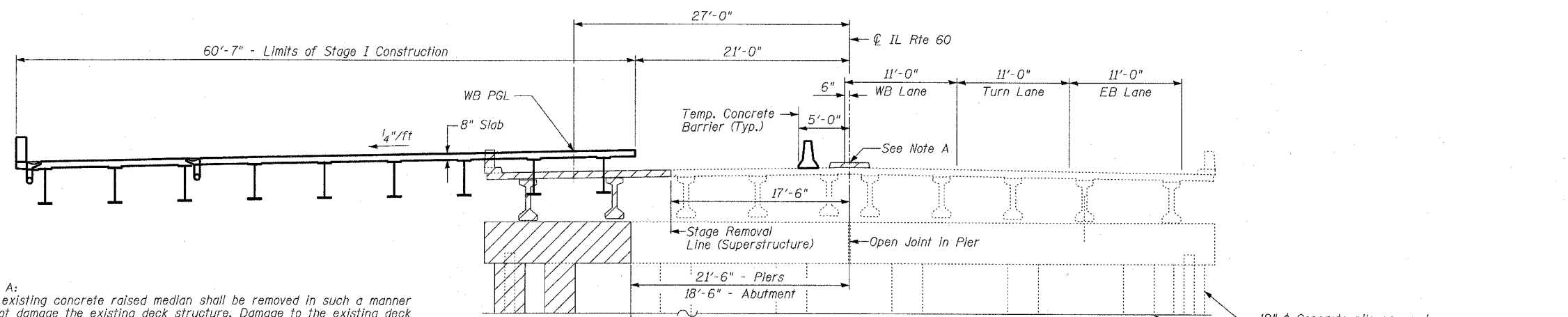


F.A.P. RTE.	SECTION	COUNTY	TOTAL SHEETS	SHEET NO.
335	119R-2	LAKE	439	251
STA. 432+83.12		TO STA. 470+56.84		
FED. ROAD DIST. NO.	ILLINOIS	FED. AID PROJECT		

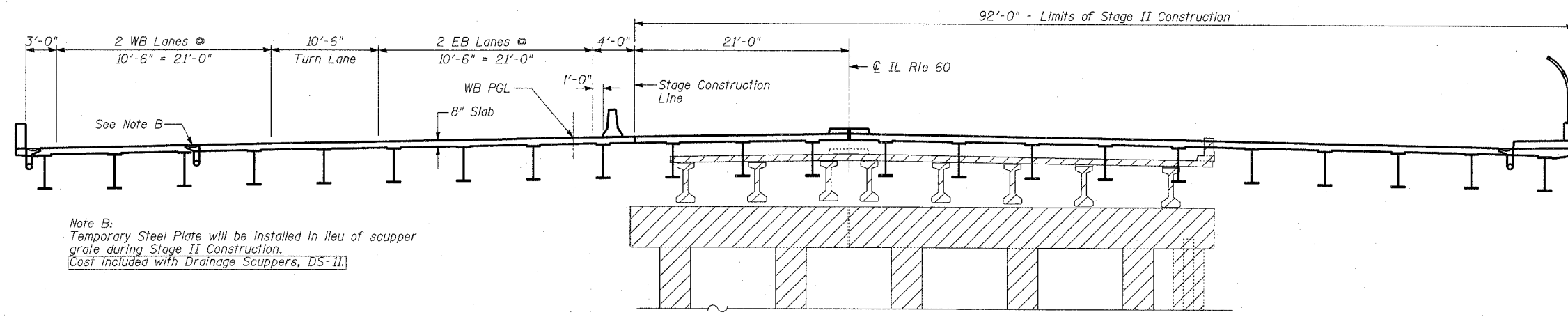
60B01



**Note A:**  
The existing concrete raised median shall be removed in such a manner to not damage the existing deck structure. Damage to the existing deck shall be repaired by the contractor subject to the approval of the Engineer. The cost shall be included in Removal of Existing Structures. See Roadway Plans for Maintenance of Traffic details for this substage work.

**STAGE I BRIDGE REMOVAL & CONSTRUCTION**

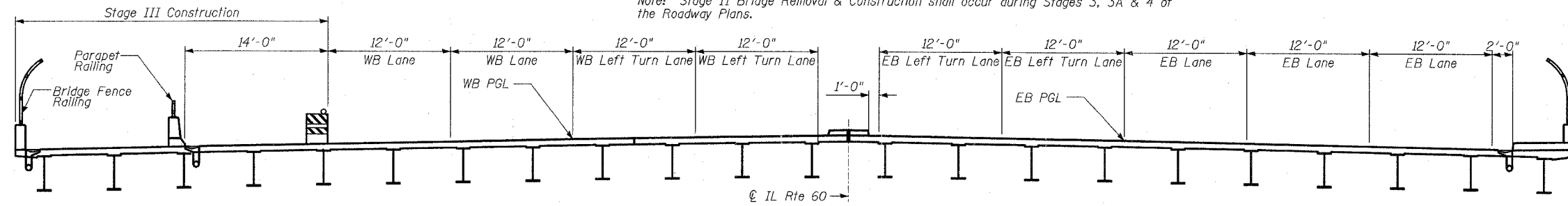
Note: Removal of existing raised median to occur during Pre-Stage B of the Roadway Plans. Bridge Removal & reconstruction as shown above shall occur during Stages 1, 1A and 2 of the Roadway Plans.



**Note B:**  
Temporary Steel Plate will be installed in lieu of scupper grate during Stage II Construction. Cost included with Drainage Scuppers, DS-II.

**STAGE II BRIDGE REMOVAL & CONSTRUCTION**

Note: Stage II Bridge Removal & Construction shall occur during Stages 3, 3A & 4 of the Roadway Plans.



**Stage III Note:**  
Work to be performed during Stage III Construction consists of placement of the F-Shape concrete parapet and parapet railing along with the installation of the bridge fence railing on the north fascia barrier.

Note: Stage III Bridge Construction shall occur during Stage 5 of the Roadway Plans.

**STAGE III BRIDGE CONSTRUCTION**

**LEGEND**  
[Hatched Box] Indicates Concrete Removal

REVISIONS	
NAME	DATE

ILLINOIS DEPARTMENT OF TRANSPORTATION  
**CONSTRUCTION STAGING**  
 ILLINOIS 60 OVER I-94  
 F.A.P. RTE. 335 SECTION 119R-2  
 LAKE COUNTY STA. 445+54.14  
 S.N. 049-2012 ISTHA BRIDGE NO. 407  
 DESIGNED BY: SP  
 DRAWN BY: SP  
 CHECKED BY: PF  
 SCALE:  
 DATE: MAY 8, 2007

**TYLIN INTERNATIONAL**

PA-602458(11-60)Structur/Ina/IL60BRStagesconst.DGN 05/03/2007 04:30:00 PM