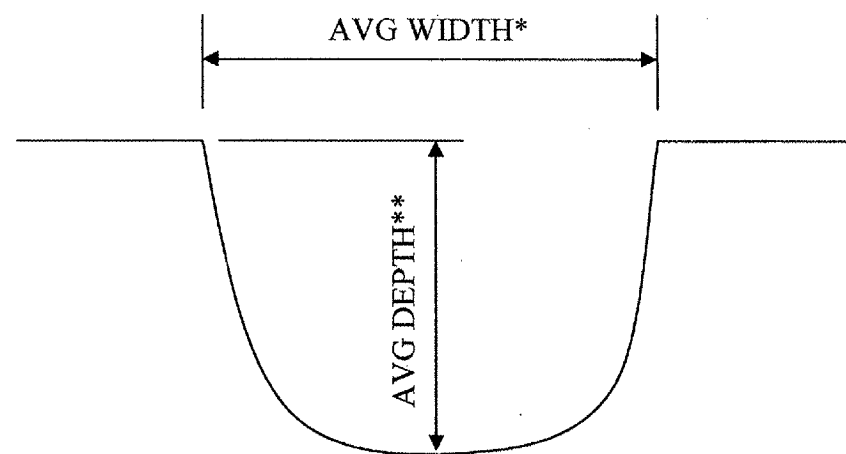
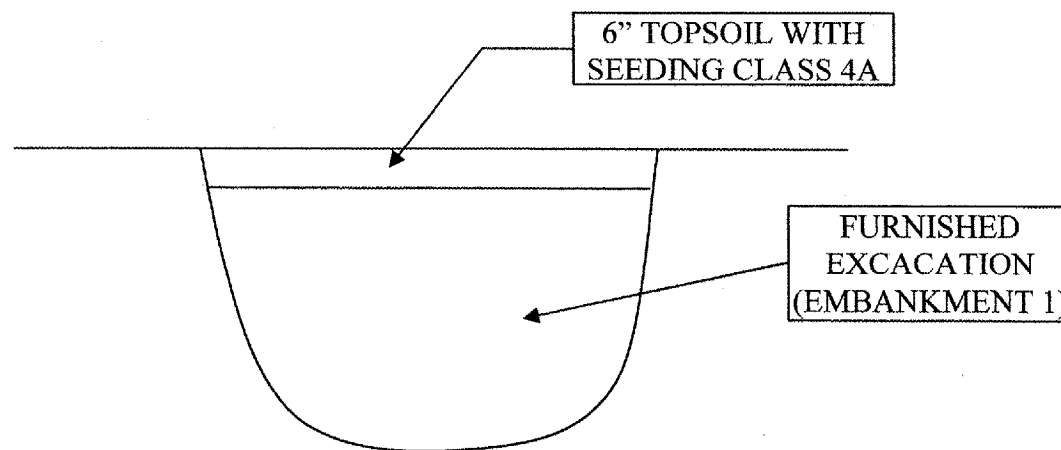


ROUTE	SECTION	COUNTY	TOTAL SHEETS	SHEET NUMBER
FAI 290 & FAP 339	2007-006I	COOK	23	10

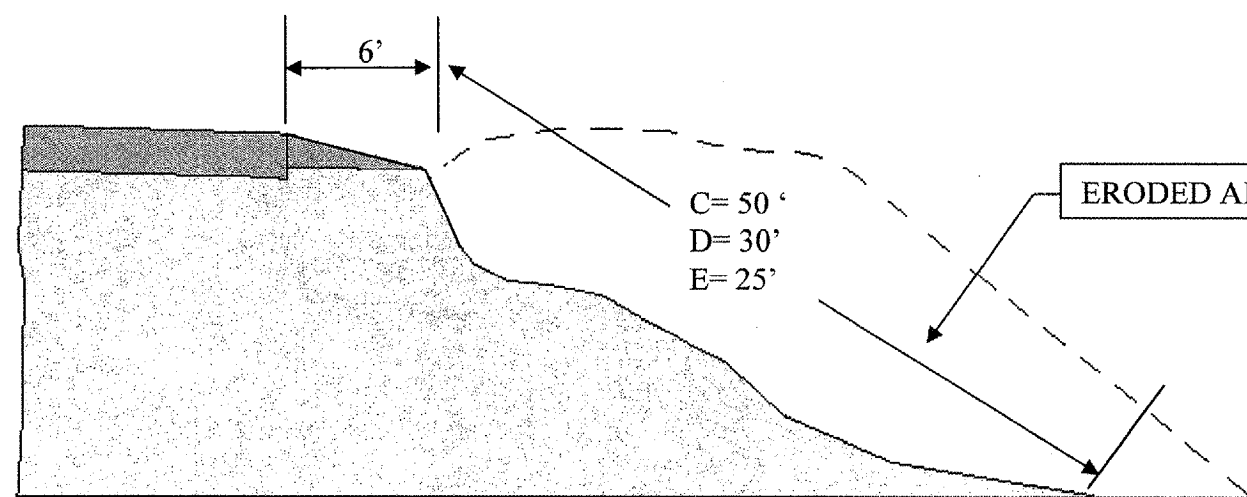


SECTION C₁-C₁, D₁-D₁, E₁-E₁
(EXISTING)

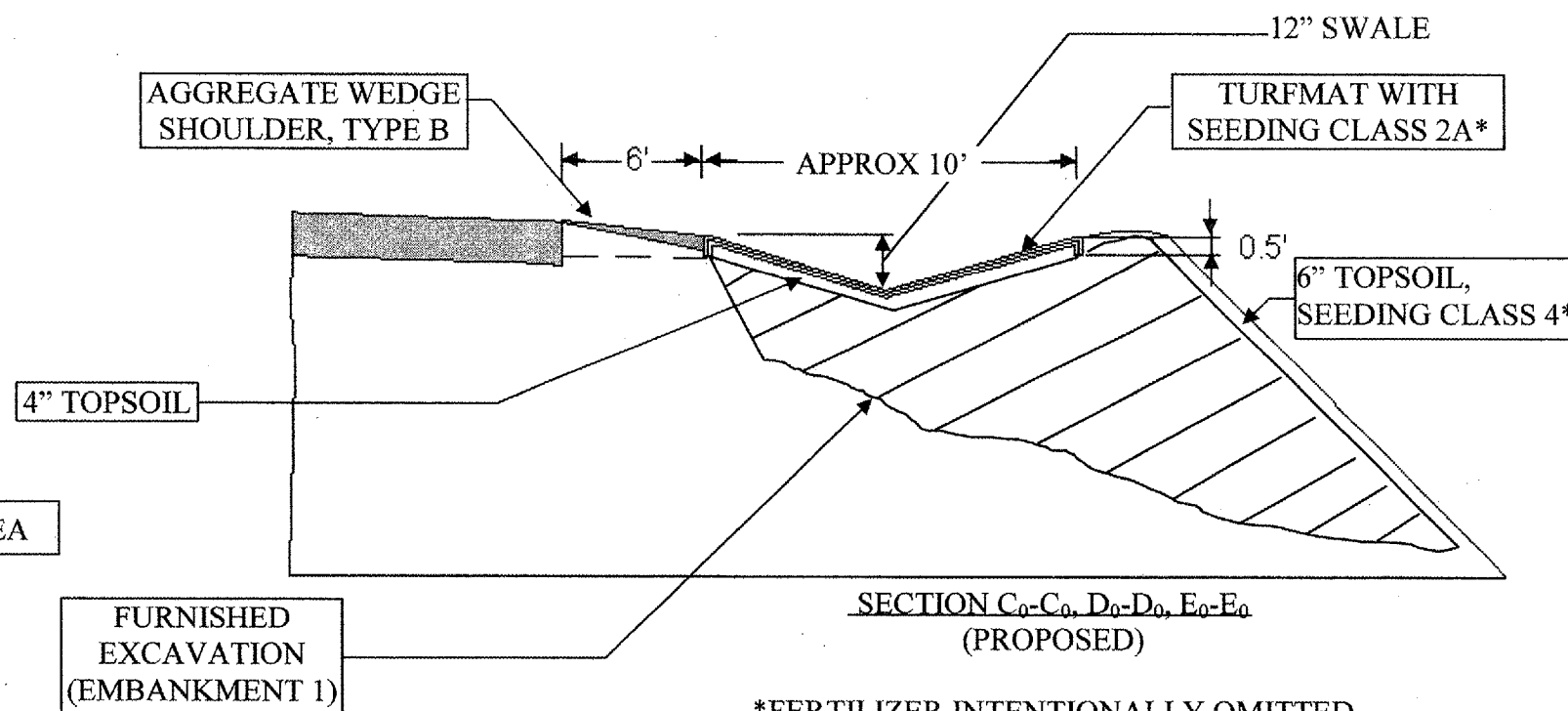


SECTION C₁-C₁, D₁-D₁, E₁-E₁
(PROPOSED)

*AVERAGE WIDTH: C₁-C₁=9', D₁-D₁=7', E₁-E₁=6'
**AVERAGE DEPTH: C₁-C₁=4', D₁-D₁=3', E₁-E₁=2'



SECTION C₀-C₀, D₀-D₀, E₀-E₀
(EXISTING)



SECTION C₀-C₀, D₀-D₀, E₀-E₀
(PROPOSED)

*FERTILIZER INTENTIONALLY OMITTED

ILLINOIS DEPARTMENT OF
TRANSPORTATION
LOCATION 1
I-290 AT US 12/20/45
SECTIONS C-C, D-D & E-E
AREAS C, D & E