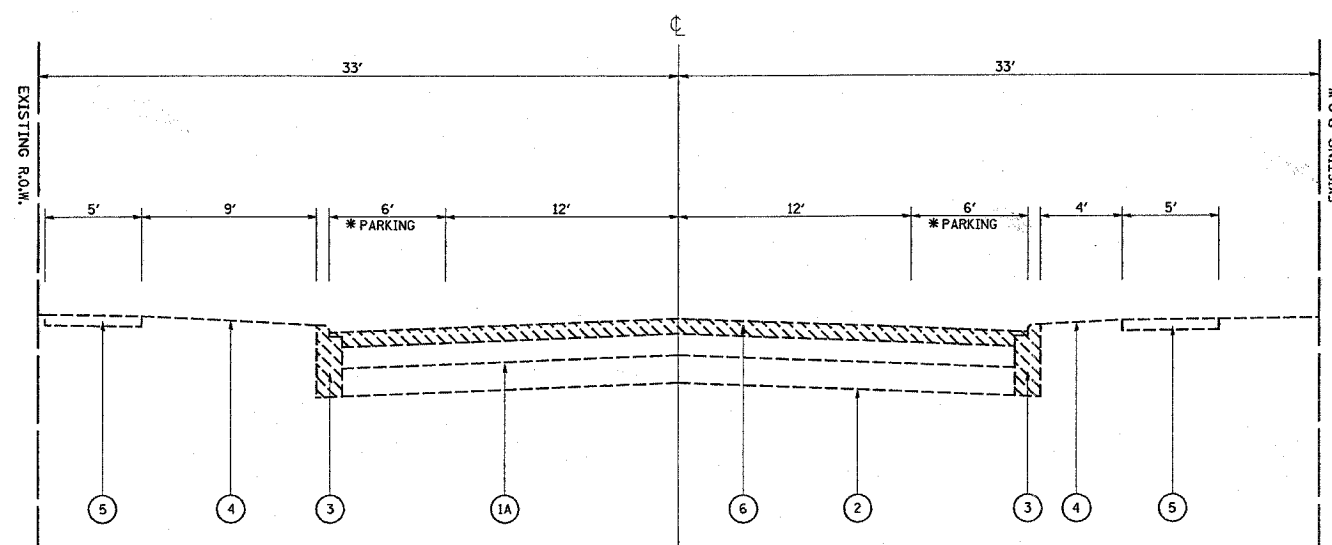


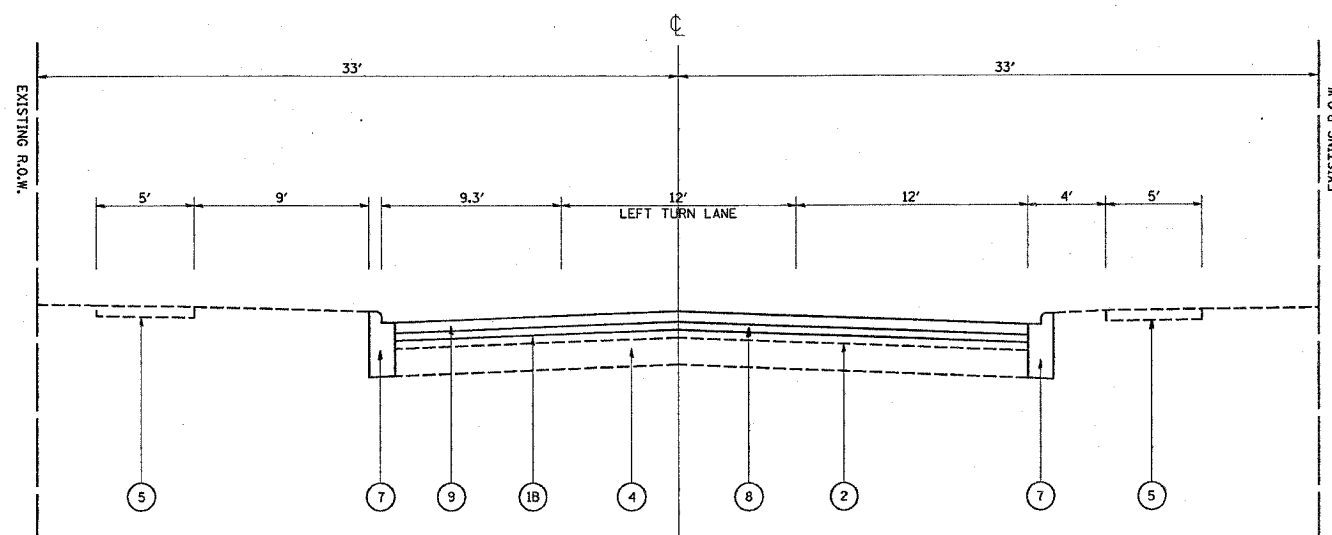
F.A.P. RTE.	SECTION	COUNTY	TOTAL SHEETS	SHEET NO.
344	3034N-1	COOK	71	11
STA.	TO STA.			
FED. ROAD DIST. NO. 1	ILLINOIS	FED. AID PROJECT		

CONTRACT NO. 62719



EXISTING TYPICAL SECTION
MAPLE AVENUE
STA. 20+00 TO STA. 21+64

- LEGEND
- 1A EXISTING HMA/INOUS PAVEMENT VARIES AND 2.75"
 - 1B EXISTING HMA/INOUS SURFACE AFTER MILLING
 - 2 EXISTING PAVING BRICK, 4"
 - 3 EXISTING COMBINATION CONCRETE CURB AND GUTTER, B-6.12
 - 4 EXISTING PARKWAY
 - 5 EXISTING P.C.C. SIDEWALK
 - 6 PROPOSED HMA REMOVAL, 2 1/2"
 - 7 PROPOSED COMBINATION CONCRETE CURB AND GUTTER, B-6.12
 - 8 PROPOSED POLYMERIZED LEVELING BINDER (MACHINE METHOD), IL-4.75, N50, 1"
 - 9 PROPOSED HMA SURFACE COURSE, MIX 'D', N70, 1 1/2"
 - * ON STREET PARKING FROM STA. 20+83 TO STA. 21+64 ONLY
 - REMOVAL



PROPOSED TYPICAL SECTION
MAPLE AVENUE
STA. 20+00 TO STA. 21+64

REVISIONS	
NAME	DATE

ILLINOIS DEPARTMENT OF TRANSPORTATION

MAPLE AVENUE
AT 127TH STREET (BURR OAK AVENUE)
TYPICAL SECTIONS

SCALE: VERT.
HORIZ.
DATE 1/3/2007

DRAWN BY
CHECKED BY