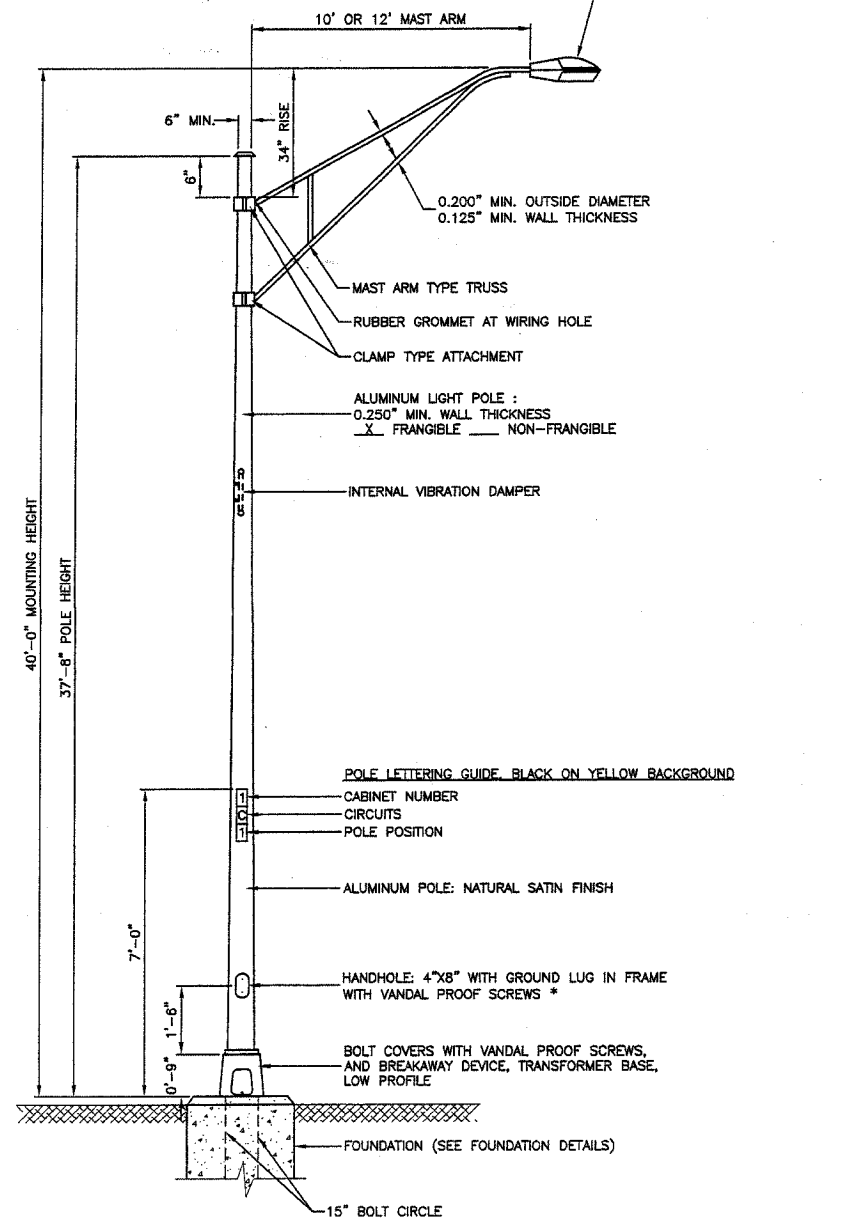


F.A.P. RITE	SECTION	COUNTY	TOTAL SHEETS	SHEET NO
344	3034 N-1	COOK	71	44
FED. ROAD DIST. NO. 1		ILLINOIS		FED. AID PROJECT

LUMINAIRE:
 250 WATT OR 400 WATT HIGH PRESSURE SODIUM LAMP
 240 VOLT BALLAST
 I.E.S. TYPE: MC III OR MC II LIGHT DISTRIBUTION
 LENS TYPE: FLAT
 INITIAL LAMP LUMENS: 28,000 OR 50,000
 LAMP LIFE: 24,000 HOURS

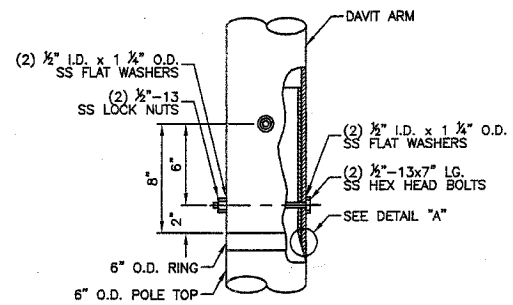


NOTES:

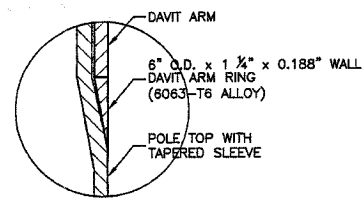
1. THE LIGHTING UNITS SHALL MEET AASHTO DESIGN CRITERIA. DESIGN FOR 90 M.P.H. WIND WITH 30% GUST AND 75 POUND LUMINAIRE HAVING AN E.P.A. OF 1.6 SQ. FT. AND PROPER ICE LOADING.
2. ALUMINUM ALLOY 6063-T6 SHALL BE USED.

TYPICAL POLE INSTALLATION (40' MH)

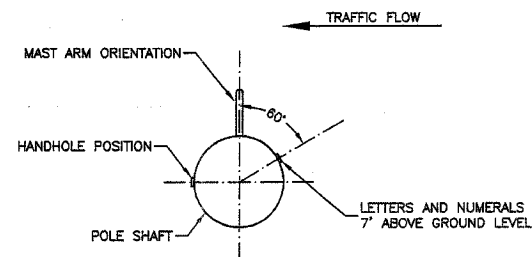
* - BUTTON HEAD SOCKET SET SCREW TYPE OF SCREWS PREFERRED FOR THIS APPLICATION



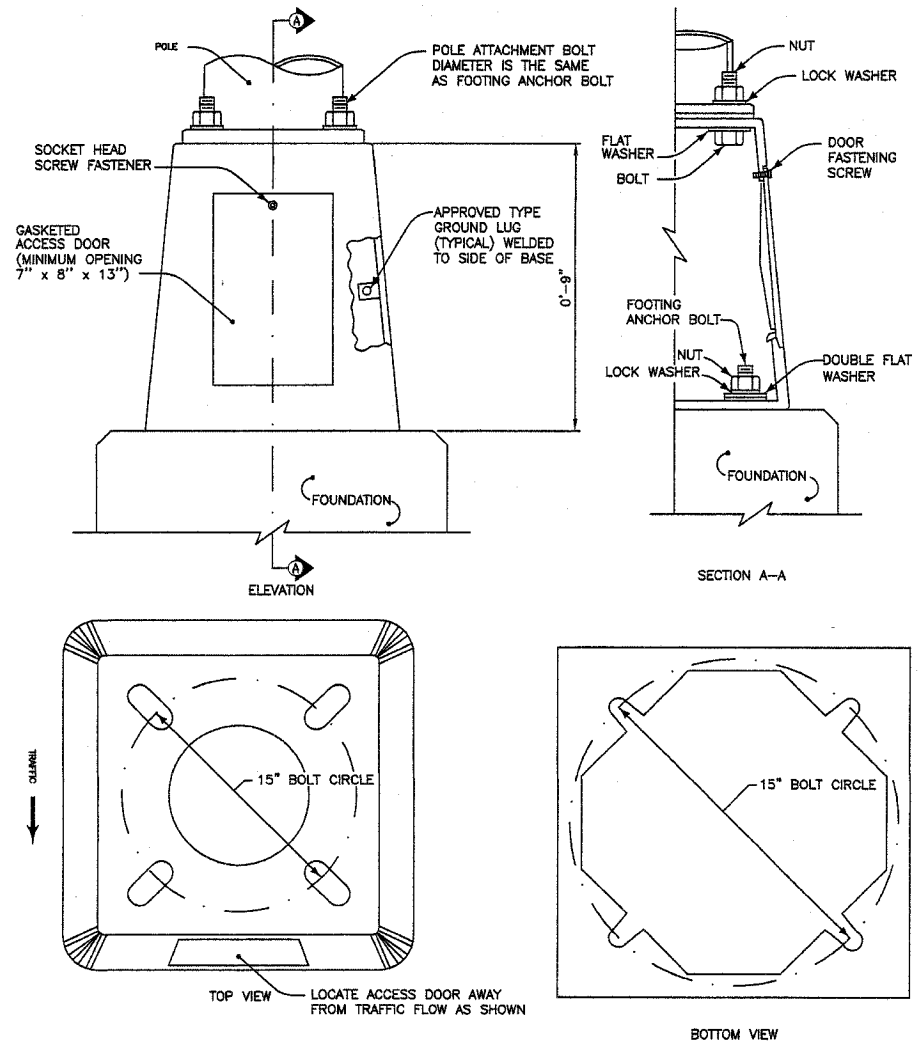
CONNECTION DETAIL



DETAIL "A"



POSITION OF HANDHOLE AND NUMERALS ON POLE



TRANSFORMER BASE NOTES:

1. THE DETAILS INDICATED HEREON ARE TYPICAL FOR A CAST ALUMINUM TRANSFORMER BASE. ALTERNATE DESIGNS MAY BE SUBMITTED TO THE ENGINEER FOR APPROVAL.
2. ALL DIMENSIONS SHALL MEET AASHTO STANDARDS.
3. MATERIALS AND METHODS OF CONSTRUCTION SHALL BE IN ACCORDANCE WITH 2002 IDOT STANDARD SPECIFICATIONS FOR ROAD AND BRIDGE CONSTRUCTION.
4. ALL MATERIALS, COMPONENTS AND EQUIPMENT SHALL BE U.L. LISTED.

BREAKAWAY TRANSFORMER BASE DETAIL

MFT SECTION 06-00173-00-LT

ROBINSON ENGINEERING, LTD. CONSULTING REGISTERED PROFESSIONAL ENGINEERS AND PROFESSIONAL LAND SURVEYORS 17000 SOUTH PARK AVENUE SOUTH HOLLAND, ILLINOIS 60473 (708) 531-6700		REVISIONS	
© COPYRIGHT 2006 ILLINOIS DESIGN FIRM REGISTRATION NO. 184001128		No.	Remarks
F.A.P. ROUTE 344 127TH STREET @ MAPLE ROAD STREET LIGHTING DETAILS			
BLUE ISLAND, ILLINOIS			
Drawn by: RG	Date: 11/27/06		
Checked by: PAP	Scale: NONE		
Sheet of	Project No. 06-688		