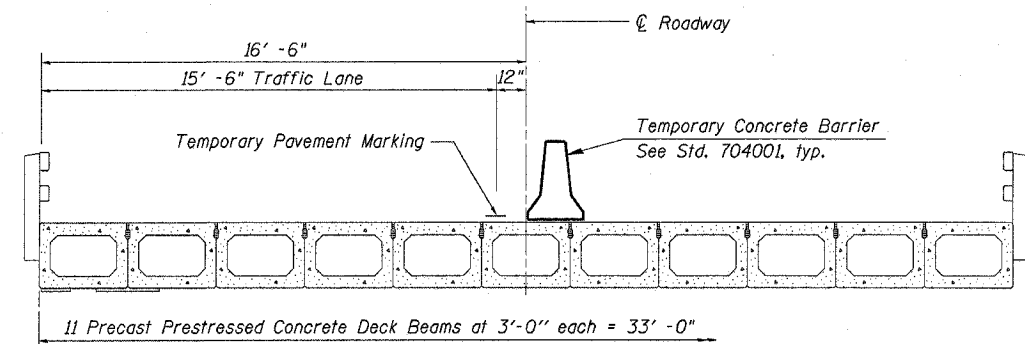
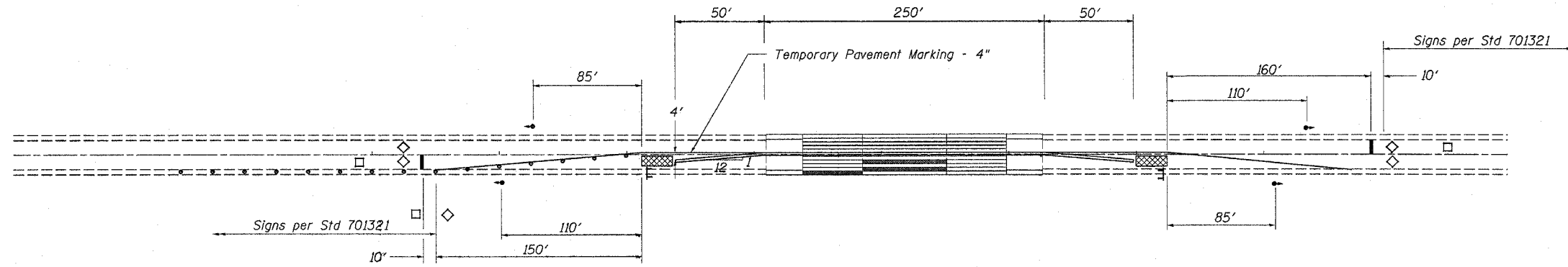


| F.A.P. RTE. | SECTION | COUNTY | TOTAL SHEETS | SHEET NO. |
|---|------------|---------------|--------------|-----------|
| 638 | (129BR-1)D | Henry | 8 | 4 |
| STA. _____ | | TO STA. _____ | | |
| FED. ROAD DIST. NO. _____ ILLINOIS FED. AID PROJECT | | | | |

Traffic Control Plan

Refer to Traffic Control & Protection Std 701321 for additional requirements.



CROSS SECTION (Looking South)

| Temporary Bridge Traffic Signals | |
|----------------------------------|----------|
| Each | |
| Standard 701321 | 1 |
| Total | 1 |

| Temporary Concrete Barrier | |
|----------------------------|------------|
| Foot | |
| Standard 701321 | 350 |
| Total | 350 |

| Pavement Marking Tape, Type III 24" | |
|-------------------------------------|-----------|
| Foot | |
| Stop Bars | 24 |
| Total | 24 |

| Short Term Pavement Marking | |
|-----------------------------|-----------|
| Foot | |
| Post 701321 | 55 |
| Total | 55 |

| Traffic Control & Protection Std 701321 | |
|---|----------|
| Each | |
| Entire Project | 1 |
| Total | 1 |

| Temporary Impact Attenuators | |
|------------------------------|----------|
| Each | |
| Standard 701321 | 2 |
| Total | 2 |

| Pavement Marking Tape, Type III 4" | |
|------------------------------------|------------|
| Foot | |
| Stop bar to Stop Bar | 735 |
| Total | 735 |

| Pavement Marking Removal | |
|--------------------------|------------|
| Sq Ft | |
| Taper Areas | 100 |
| Total | 100 |

| Workzone Pavement Marking Removal | |
|-----------------------------------|------------|
| Sq Ft | |
| Temporary Edge Line | 245 |
| Stop Bars | 48 |
| Short Term | 18 |
| Total | 311 |

Traffic Control Plan
 FAP Route 638 (IL 82)
 Section (129BR-1)D
 Henry County
 Illinois Route 82 over the Green River
 Structure No. 037-0071