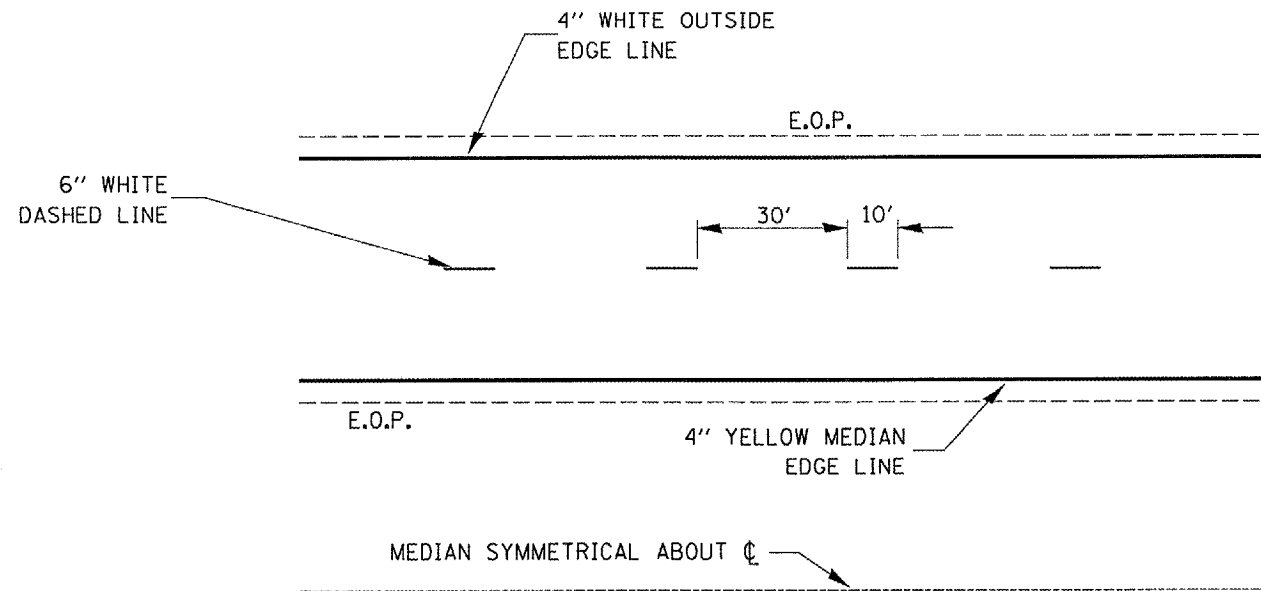
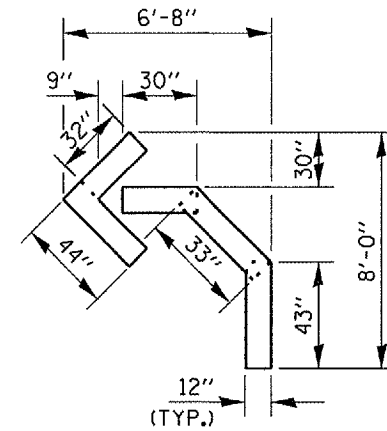


F.A.P. RTE.	SECTION	COUNTY	TOTAL SHEETS	SHEET NO.
68	(52)I	LASALLE	10	7

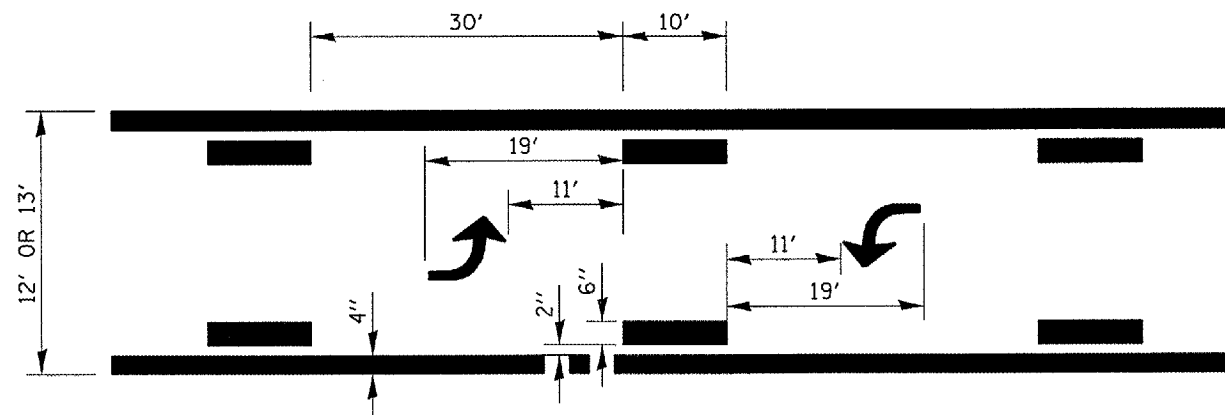


**TYPICAL PAVEMENT MARKINGS**



QUANTITY  
 12" LINE = 16 LIN. FT.  
 OR 4" LINE = 48 LIN. FT.

**SHORT-TERM PAVEMENT MARKING  
 FOR ARROWS**



**TYPICAL APPLICATION @  
 BI-DIRECTIONAL TURN LANE**

REVISIONS	
NAME	DATE

ILLINOIS DEPARTMENT OF TRANSPORTATION  
**TYPICAL PVMT MARKING**  
 FAP 68 (IL 23)  
 SECTION: (52)I  
 LASALLE COUNTY

Date: April 23, 2007  
 c:/projects/cmain08/cm313/details.dgn