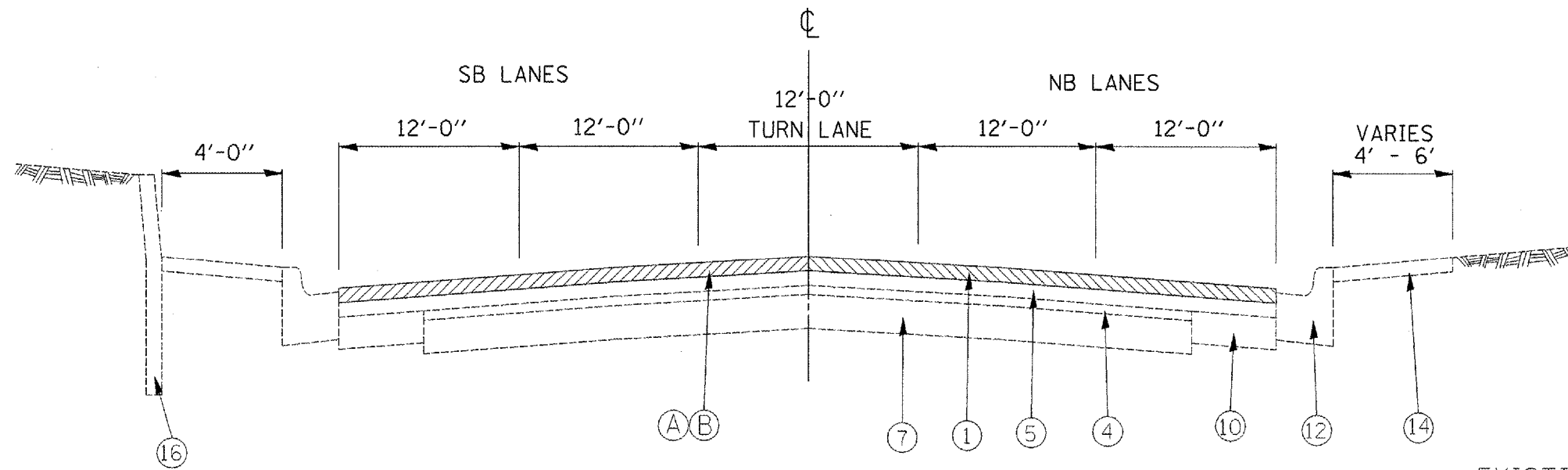


F.A.P. RTE.	SECTION	COUNTY	TOTAL SHEETS	SHEET NO.
317	146-1RS-7	PEORIA	62	9
STA.	TO STA.			
FED. ROAD DIST. NO.	ILLINOIS	FED. AID PROJECT		



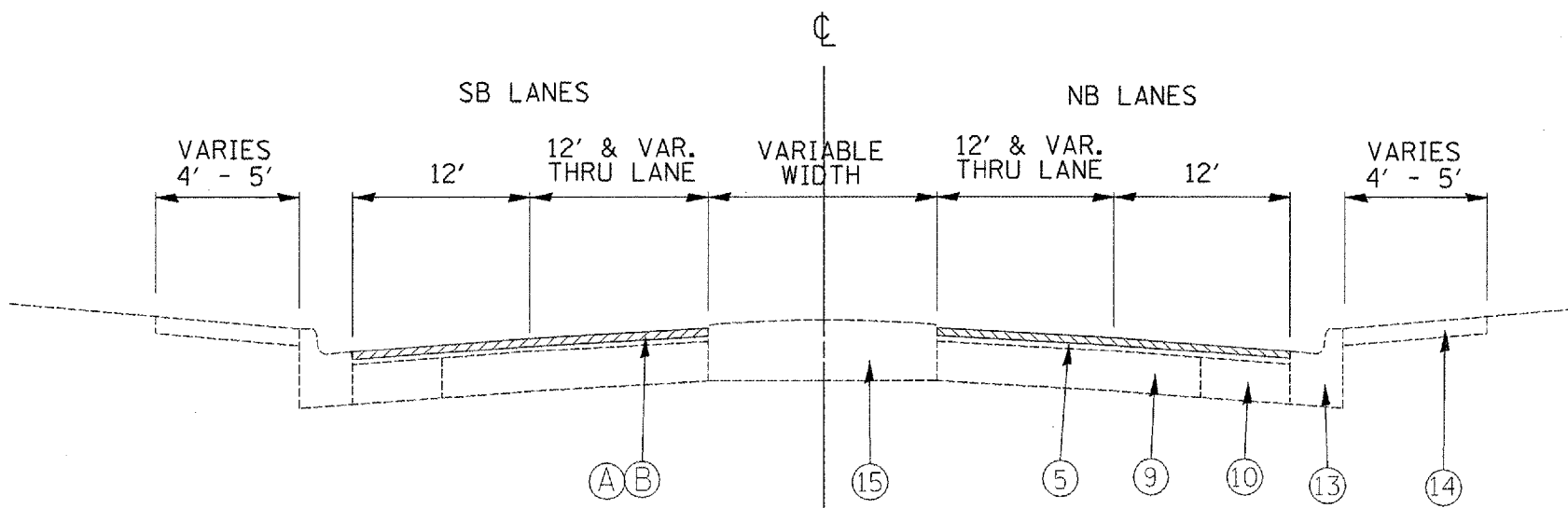
STA 45+85 TO STA 37+55

PROPOSED LEGEND

- Ⓐ HOT MIX ASPHALT SURFACE REMOVAL, 1.75"
- Ⓑ HMA SURFACE COURSE, MIX E, N70, 1.75"

EXISTING LEGEND

- ① BIT CONC SURF CSE, 1.5"
- ② BIT CONC BIND CSE, 3.5"
- ③ LEVELING BINDER (MM), TY 1, 1"
- ④ LEVELING BINDER (MM), TY 2, VAR. DEPTH
- ⑤ BIT OVERLAY 1.5" TO 1.75"
- ⑥ AREA REFLECTIVE CRACK CONTROL, SYSTEM A
- ⑦ PCC PAVEMENT 8"
- ⑧ PCC PAVEMENT 10"
- ⑨ PCC BASE COURSE 8"
- ⑩ PCC BASE COURSE 9"
- ⑪ INCIDENTAL BITUMINOUS SURFACE 2"
- ⑫ CCC&G TYPE B-6.12
- ⑬ CCC&G TYPE B-6.24
- ⑭ PCC SIDEWALK 4"
- ⑮ CONCRETE MEDIAN
- ⑯ RETAINING WALL, INTERMITTENT LOCATIONS



STA 37+55 TO STA 36+47.60

PLOT DATE = 4/26/2007
 FILE NAME = c:\p\proj\146-1rs-7\146-1rs-7.dgn
 PLOT SCALE = 48.0000 / 1" = 100.0000'
 USER NAME = gconoverp

REVISIONS	
NAME	DATE

ILLINOIS DEPARTMENT OF TRANSPORTATION

TYPICAL SECTIONS

SCALE: VERT. HORIZ. DATE

DRAWN BY CHECKED BY