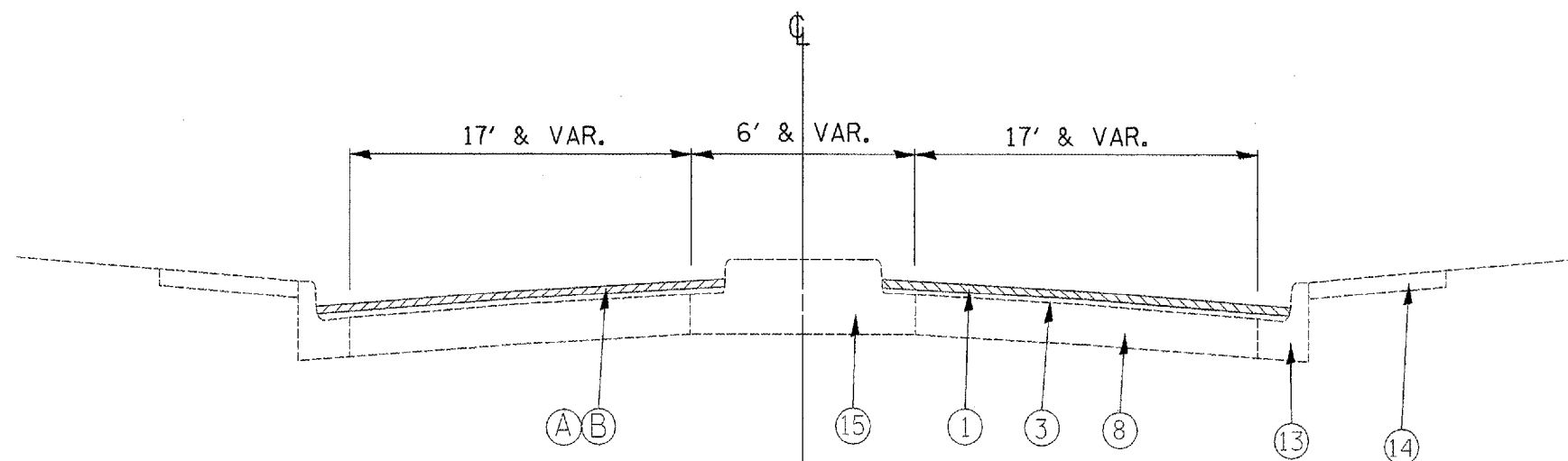


F.A.P. RTE.	SECTION	COUNTY	TOTAL SHEETS	SHEET NO.
317	146-1RS-7	PEORIA	62	11
STA.	TO STA.			
FED. ROAD DIST. NO.	ILLINOIS FED. AID PROJECT			



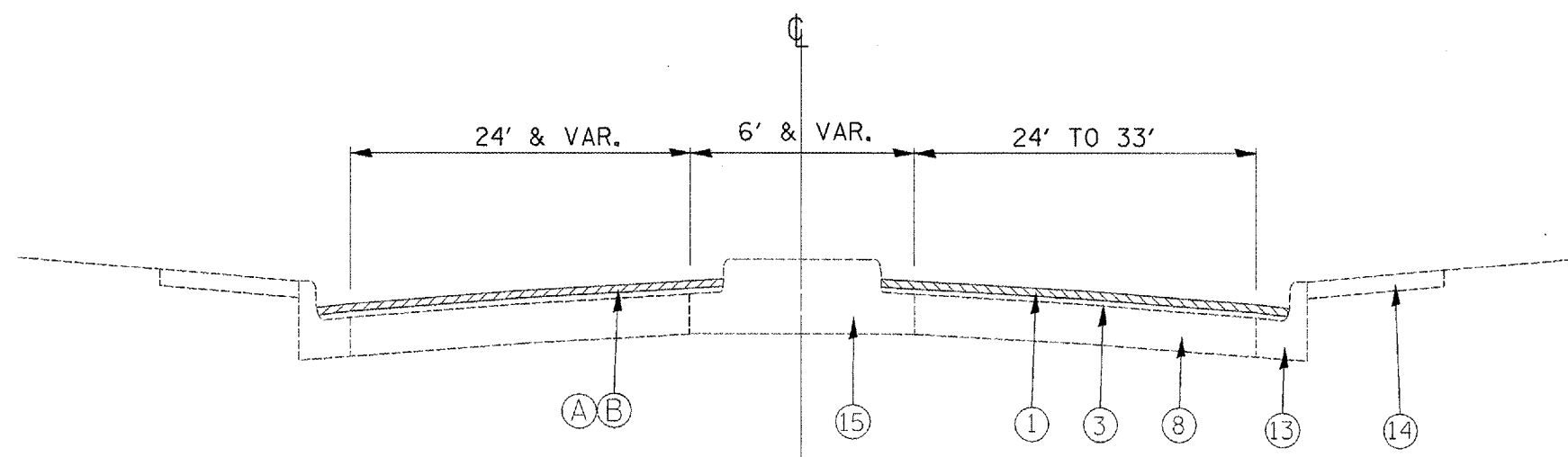
WASHINGTON STREET

PROPOSED LEGEND

- (A) HOT MIX ASPHALT SURFACE REMOVAL, 1.75"
- (B) HMA SURFACE COURSE, MIX E, N70, 1.75"

EXISTING LEGEND

- (1) BIT CONC SURF CSE, 1.5"
- (2) BIT CONC BIND CSE, 3.5"
- (3) LEVELING BINDER (MM), TY 1, 1"
- (4) LEVELING BINDER (MM), TY 2, VAR. DEPTH
- (5) BIT OVERLAY 1.5" TO 1.75"
- (6) AREA REFLECTIVE CRACK CONTROL, SYSTEM A
- (7) PCC PAVEMENT 8"
- (8) PCC PAVEMENT 10"
- (9) PCC BASE COURSE 8"
- (10) PCC BASE COURSE 9"
- (11) INCIDENTAL BITUMINOUS SURFACE 2"
- (12) CCC&G TYPE B-6.12
- (13) CCC&G TYPE B-6.24
- (14) PCC SIDEWALK 4"
- (15) CONCRETE MEDIAN
- (16) RETAINING WALL, INTERMITTENT LOCATIONS



ADAMS STREET

PLOT DATE = 4/26/2007
 FILE NAME = c:\projects\unclbar\plan\stsesta.dgn
 USER NAME = c:\users\j...

REVISIONS	
NAME	DATE

ILLINOIS DEPARTMENT OF TRANSPORTATION

TYPICAL SECTIONS

SCALE: VERT. DATE
HORIZ.

DRAWN BY
CHECKED BY