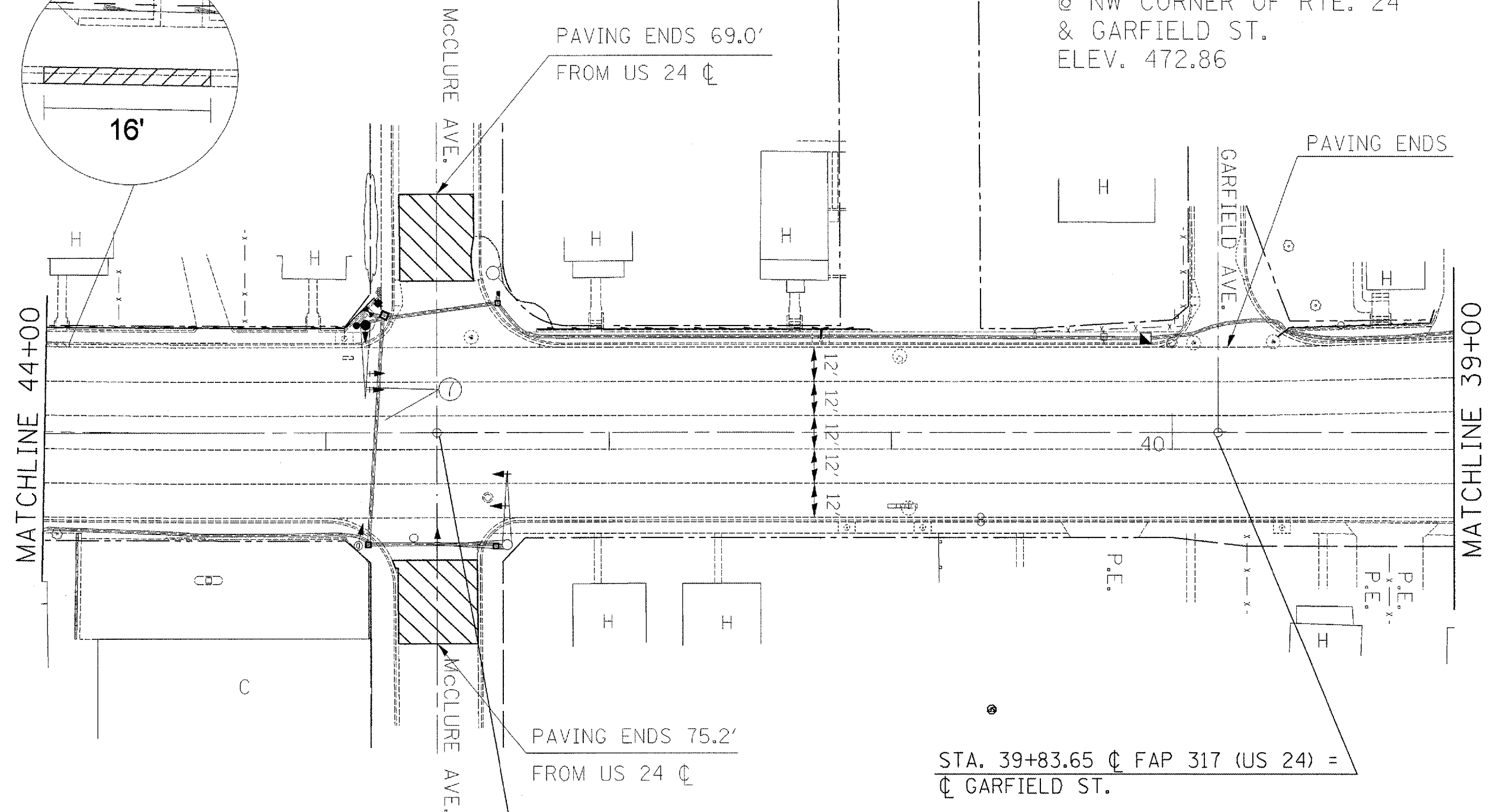
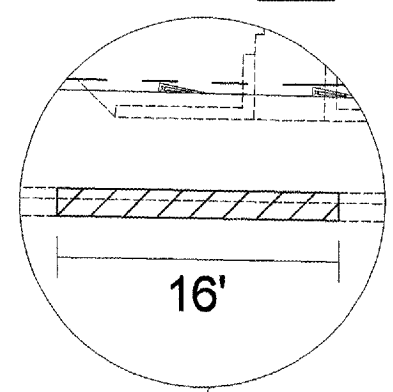


F.A.P. RTE.	SECTION	COUNTY	TOTAL SHEETS	SHEET NO.
317	146-1RS-7	PEORIA	62	26
STA.		TO STA.		
FED. ROAD DIST. NO.		ILLINOIS FED. AID PROJECT		

BENCHMARK #1
TOP OF FLUSH ROW MARKER
@ NW CORNER OF RTE. 24
& GARFIELD ST.
ELEV. 472.86



MATCHLINE 44+00

MATCHLINE 39+00

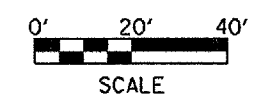
PAVING ENDS 69.0'
FROM US 24 C

PAVING ENDS

PAVING ENDS 75.2'
FROM US 24 C

STA. 39+83.65 C FAP 317 (US 24) =
C GARFIELD ST.

STA. 42+61.10 C FAP 317 (US 24) =
C McCLURE ST.



REMOVAL LEGEND

- BUTT JOINT
- CCC&G

REVISIONS	
NAME	DATE

ILLINOIS DEPARTMENT OF TRANSPORTATION
**EXISTING
PLAN SHEETS
STA 44+00 - 39+00**

SCALE: VERT. _____
HORIZ. _____
DATE _____

DRAWN BY _____
CHECKED BY _____

PLOT DATE = 10/3/2007
 FILE NAME = c:\p\proj\146-1rs-7\146-1rs-7.dgn
 PLOT SCALE = 48,000 / IN.
 USER NAME = c:\p\proj\146-1rs-7\146-1rs-7.dgn