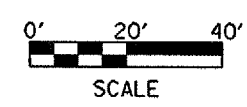
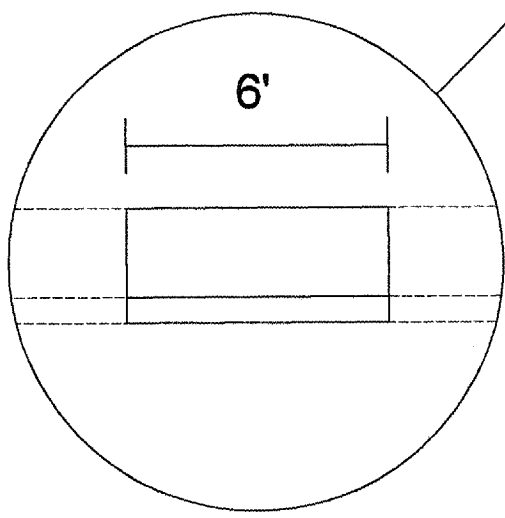
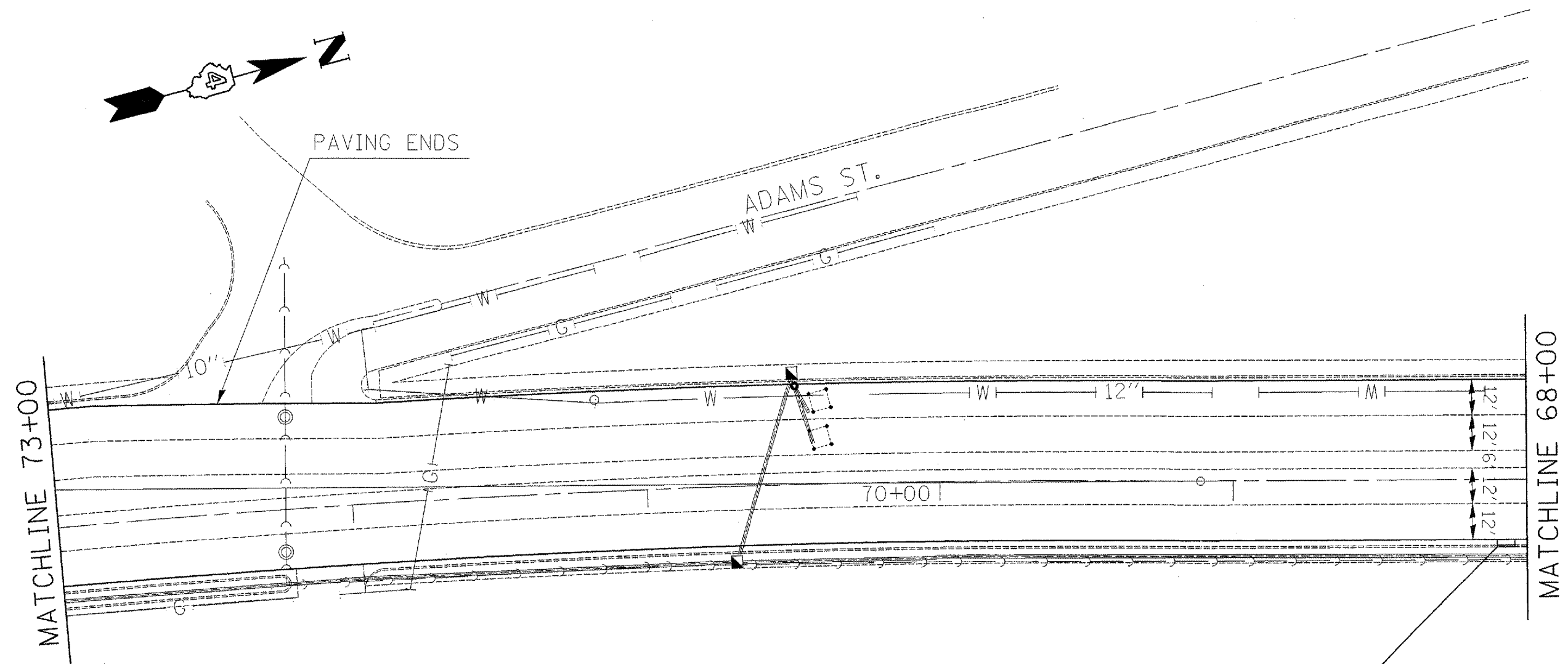


F.A.P. RTE.	SECTION	COUNTY	TOTAL SHEETS	SHEET NO.
317	(46-1)RS-7	PEORIA	62	32
STA.		TO STA.		
FED. ROAD DIST. NO.		ILLINOIS FED. AID PROJECT		



REVISIONS	
NAME	DATE

ILLINOIS DEPARTMENT OF TRANSPORTATION
PROPOSED
PLAN SHEETS
STA 73+00 - 68+00

SCALE: VERT. _____
 HORIZ. _____

DATE _____

DRAWN BY _____
 CHECKED BY _____

PLOT DATE = 01/31/2007
 FILE NAME = c:\pco\msta\msta2\bart\plan\msta2.dgn
 PLOT SCALE = 48.0000 / IN.
 USER NAME = canoverpj