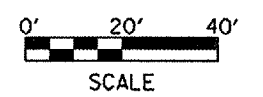
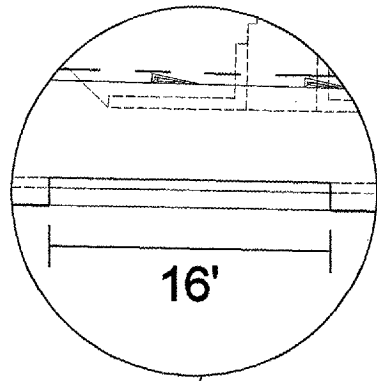
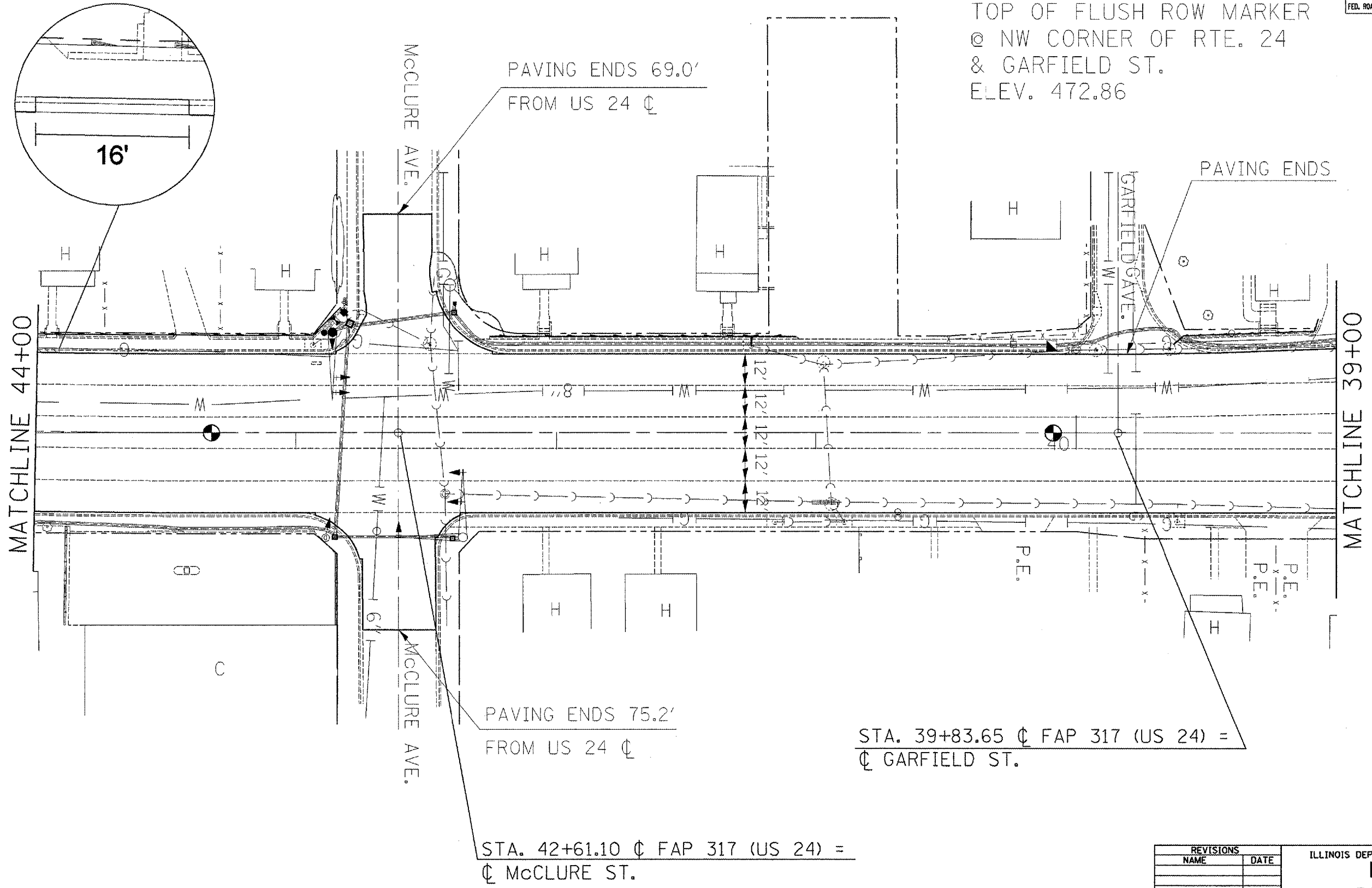


F.A.P. RTE.	SECTION	COUNTY	TOTAL SHEETS	SHEET NO.
317	(46-URS-7)	PEORIA	62	38
STA.		TO STA.		
FED. ROAD DIST. NO.		ILLINOIS FED. AID PROJECT		

BENCHMARK #1  
 TOP OF FLUSH ROW MARKER  
 @ NW CORNER OF RTE. 24  
 & GARFIELD ST.  
 ELEV. 472.86



REVISIONS	
NAME	DATE

ILLINOIS DEPARTMENT OF TRANSPORTATION  
**PROPOSED**  
**PLAN SHEETS**  
**STA 44+00 - 39+00**

SCALE: VERT. \_\_\_\_\_  
 HORIZ. \_\_\_\_\_

DATE \_\_\_\_\_ DRAWN BY \_\_\_\_\_  
 CHECKED BY \_\_\_\_\_

PLOT DATE = 5/3/2007  
 FILE NAME = c:\projects\us24bar\explen\sheet.dgn  
 PLOT SCALE = 48.0000 / IN.  
 USER NAME = cncoverp.j