

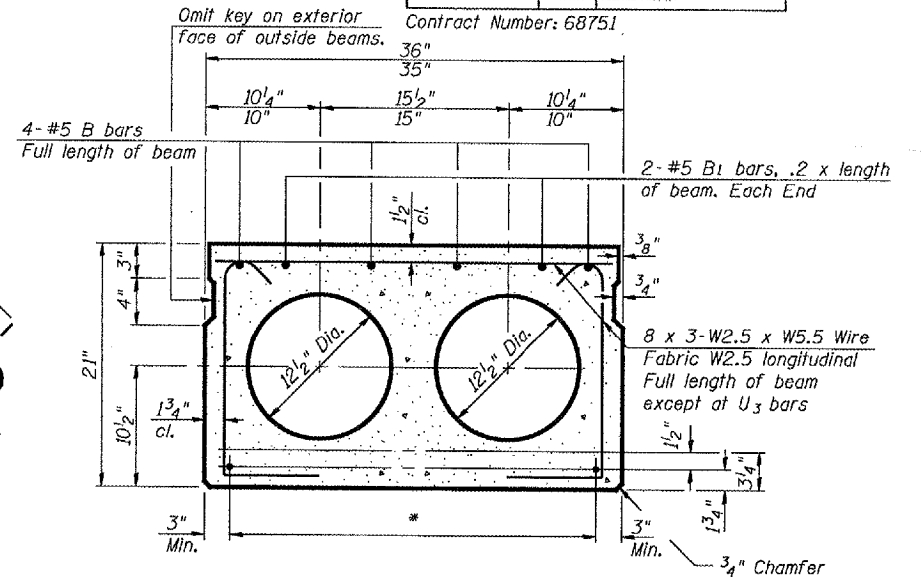
STATE OF ILLINOIS
DEPARTMENT OF TRANSPORTATION

ROUTE NO.	SECTION	COUNTY	SHEET NO.	SHEET NO.
		Peoria	20	15A
FED. ROAD DIST. NO. 7 ILLINOIS				
Contract Number: 68751				

*** TRANSVERSE PLACEMENT GUIDELINES**

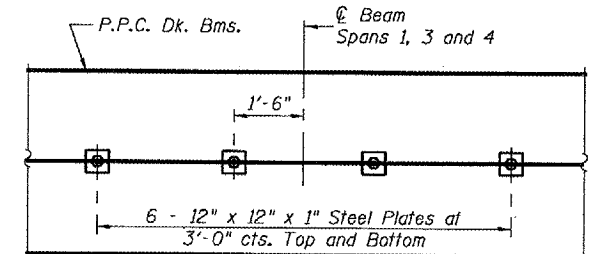
1. Place strands symmetrically about centerline of beam.
2. The minimum distance from center to center of strands in all directions shall be 2".
3. The minimum clearance from strand to dowel hole shall be 1/2".
4. The minimum clearance from strand to void shall be 1/2".

Vertical placement of strands shall not be adjusted to satisfy the above guidelines.



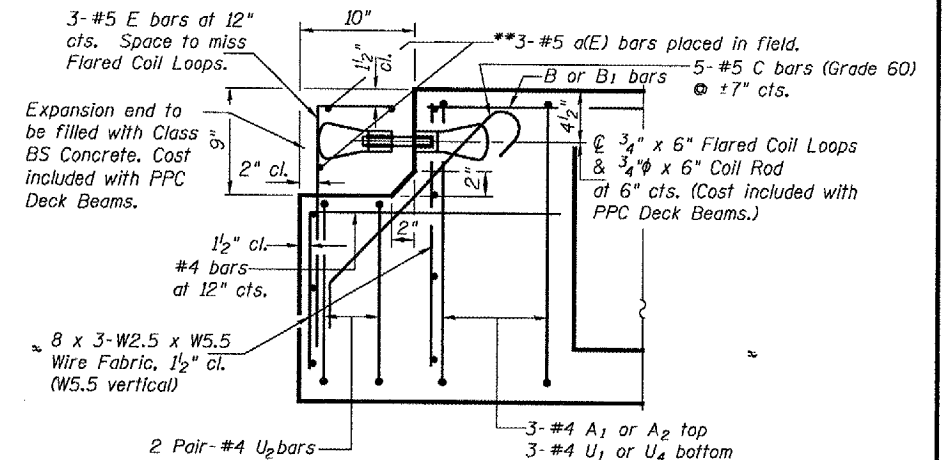
TYPICAL SECTION

1/2" ϕ Strands, Each Strand Stressed to 30,900 Lbs.
6-Strands 1 3/4" up, 4-Strands 3/4" up



STAGE CLAMPING PLAN

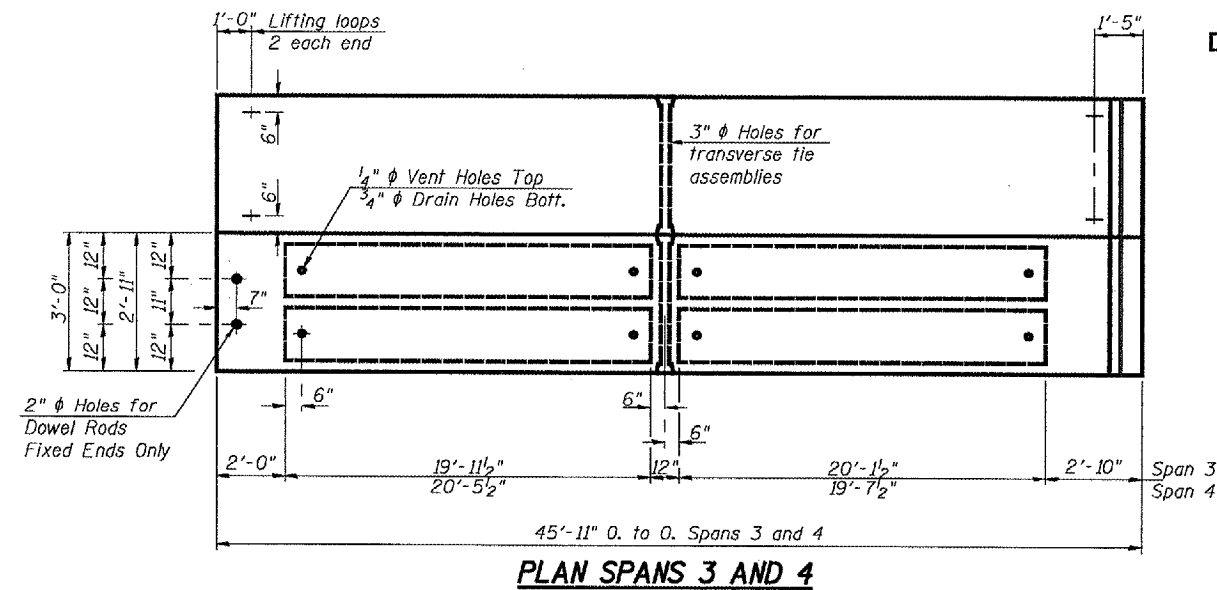
Notes:
See Special Provisions for Stage Construction Precast Prestressed Concrete Deck Beams. See Stage Construction Detail for traffic lane. Cost is included with Precast Prestressed Concrete Deck Beams.



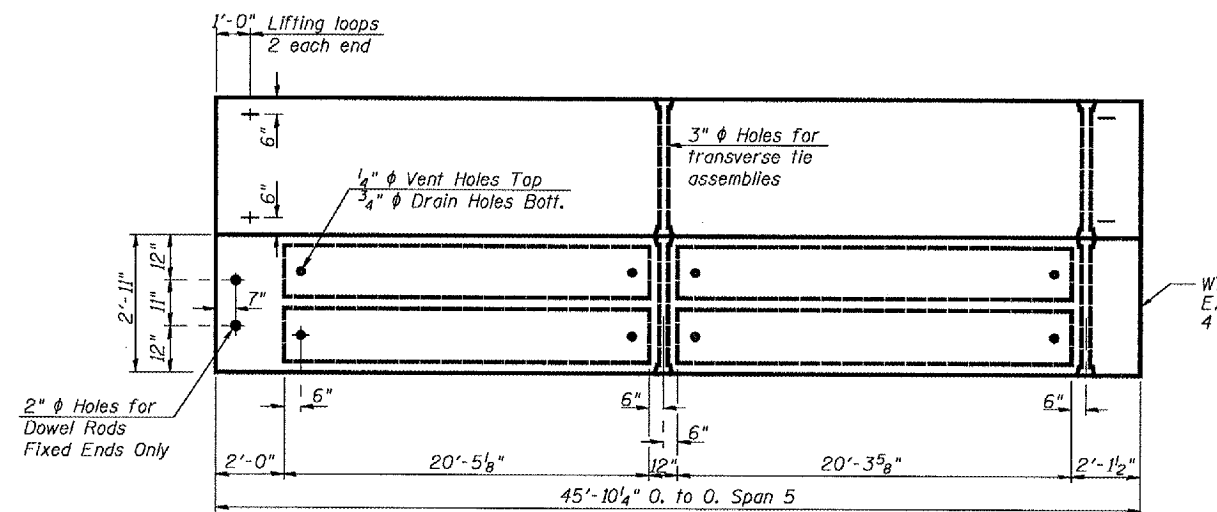
EXPANSION END OF 27" BEAM

SPANS 3, 4 AND 5 BEAM DETAILS
F.A.S. RT.384
PEORIA COUNTY
SN 072-0047

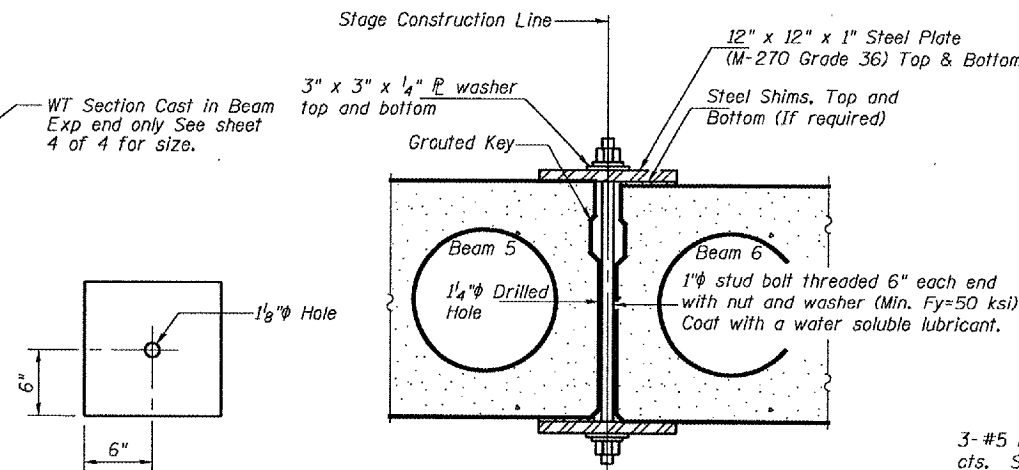
For beam notes see sheet 2 of 4.



PLAN SPANS 3 AND 4



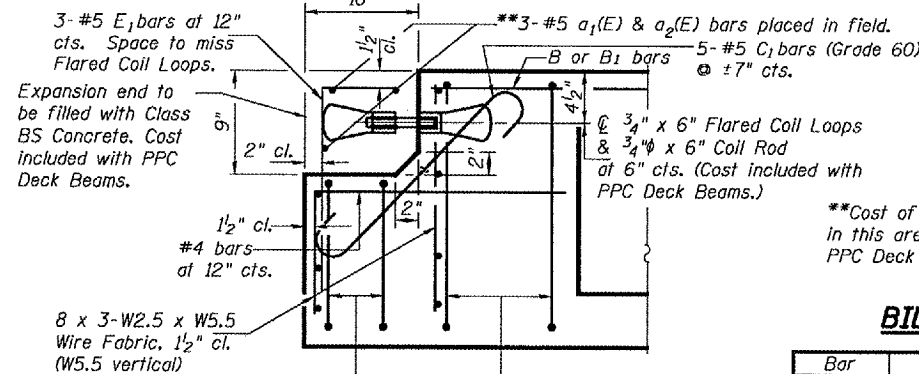
PLAN SPAN 5



STAGE CLAMPING SECTION

CLAMPING PLATE

BAR U3 & U4



EXPANSION END OF 21" BEAM

BILL OF MATERIAL

Bar	No.	Size	Length	Shape
a1(E)	3	#5	14'-8"	
a2(E)	3	#5	5'-8"	
a3(E)	3	#5	2'-8"	

DESIGNED	V.H.V.
CHECKED	S.J.B.
DRAWN	Drew Christopher
CHECKED	V.H.V. S.J.B.
PD-3-S	

June 21, 2007
EXAMINED
PASSED

11-1-06