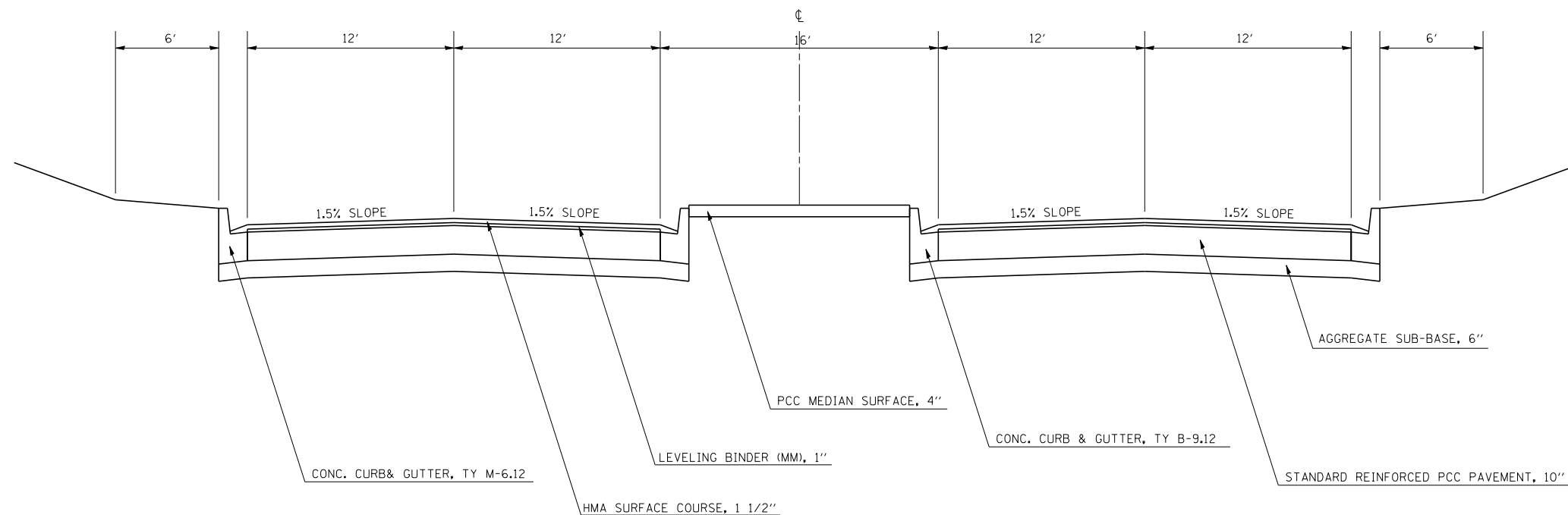


EXISTING TYPICAL CROSS SECTION ⑤

③ STA. 315+51.57 TO STA. 325+06.29 ⑥

| F.A.P. RTE. | SECTION | COUNTY | TOTAL SHEETS | SHEET NO. |
|-------------|---------|--------|--------------|-----------|
| 730 | | MCLEAN | 10 | 7 |

CONTRACT NO. 70637
• D5 PATCHING 2008-2



EXISTING TYPICAL CROSS SECTION ⑥

⑤ STA. 325+06.29 TO STA. 334+70.86 ⑦

