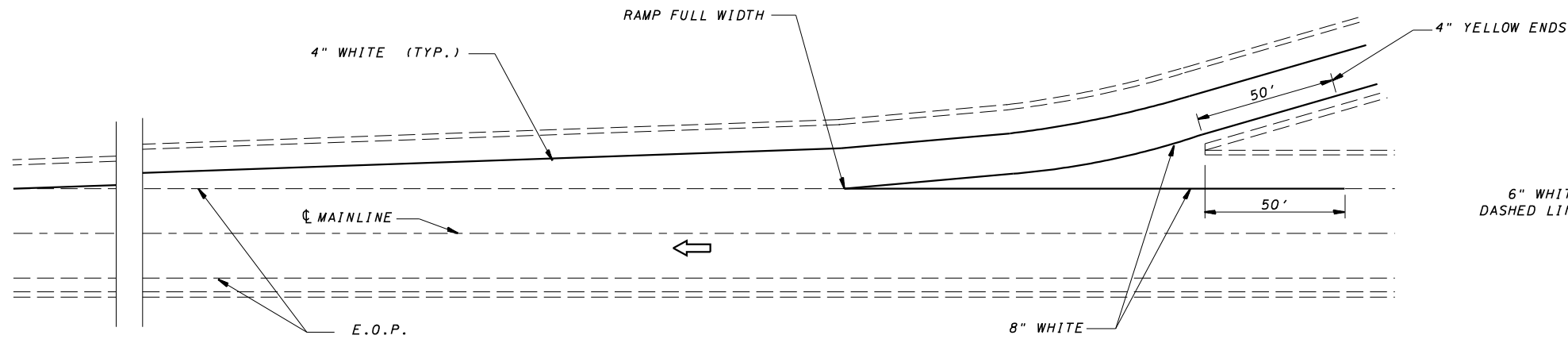
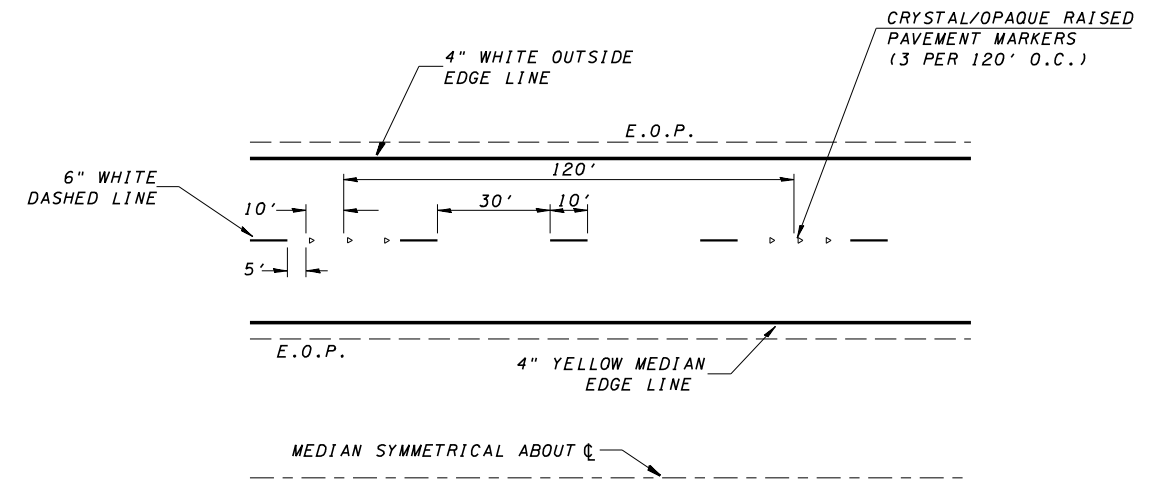


| F.A.I. RTE. | SECTION | COUNTY | TOTAL SHEETS | SHEET NO. |
|-------------|---------|--------|--------------|-----------|
| 74          | .       | MCLEAN | 11           | 10        |

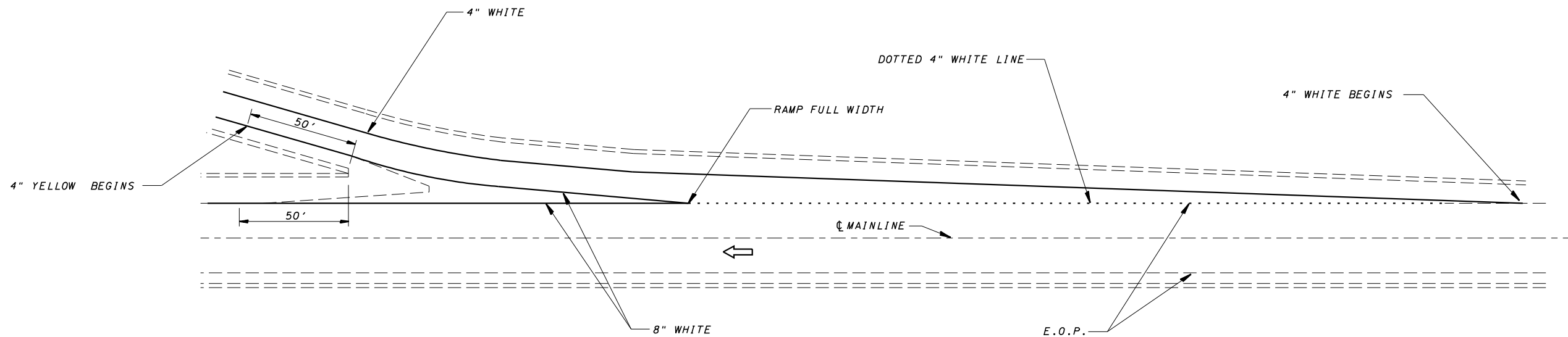
• CM PATCHING 2008-1



**TYPICAL PAVEMENT MARKING FOR ENTRANCE RAMP TERMINALS**



**TYPICAL PAVEMENT MARKINGS**



**TYPICAL PAVEMENT MARKINGS FOR EXIT RAMP TERMINALS**

Note: All dimensions are in INCHES (millimeters) unless otherwise shown.

| DATE  | REVISIONS               | NAME |
|-------|-------------------------|------|
| 11/06 | CREATED FROM D4 DETAILS | TJB  |
|       |                         |      |
|       |                         |      |
|       |                         |      |
|       |                         |      |
|       |                         |      |
|       |                         |      |

ILLINOIS DEPARTMENT OF TRANSPORTATION  
**PAVEMENT MARKING**  
 (MCLEAN COUNTY "SPOT" IMPROVEMENTS ONLY)  
**DISTRICT 5 DETAIL NO. 7800CCC**

PLOT DATE = 5/15/2007  
 FILE NAME = c:\projects\74\11\74patching.dgn  
 PLOT SCALE = 42,352% / IN.  
 USER NAME = collierb