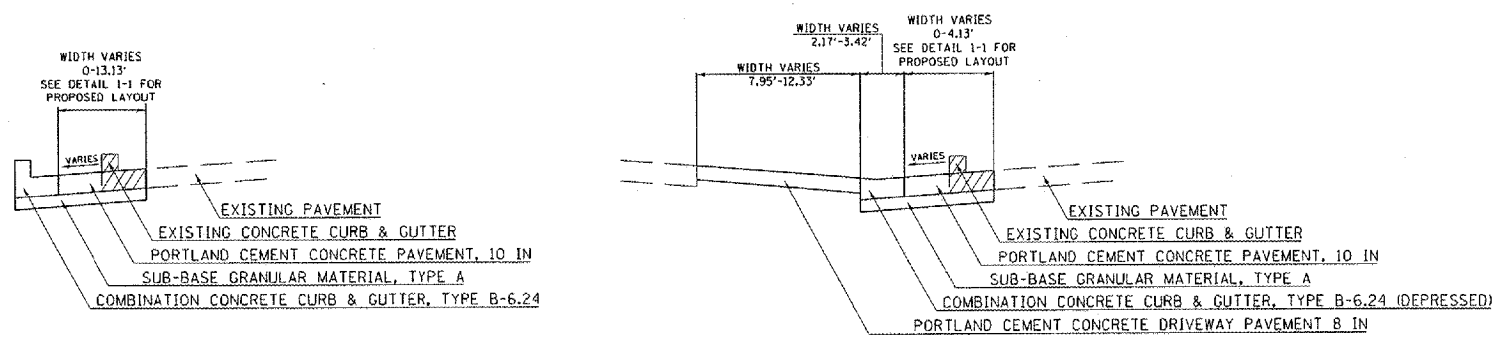
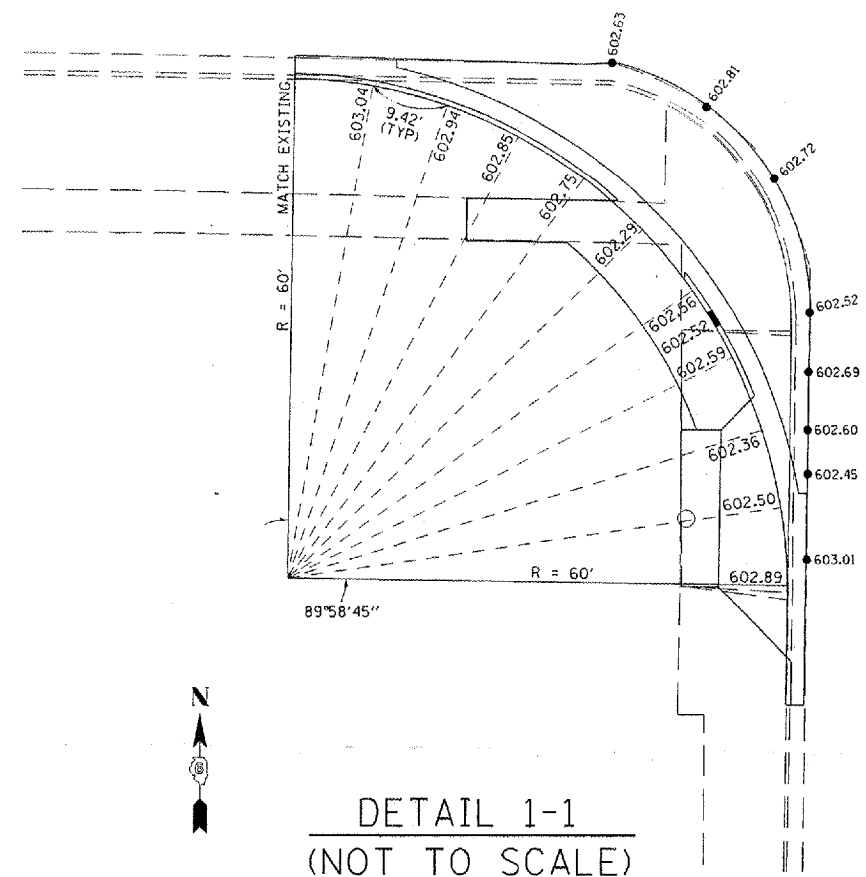
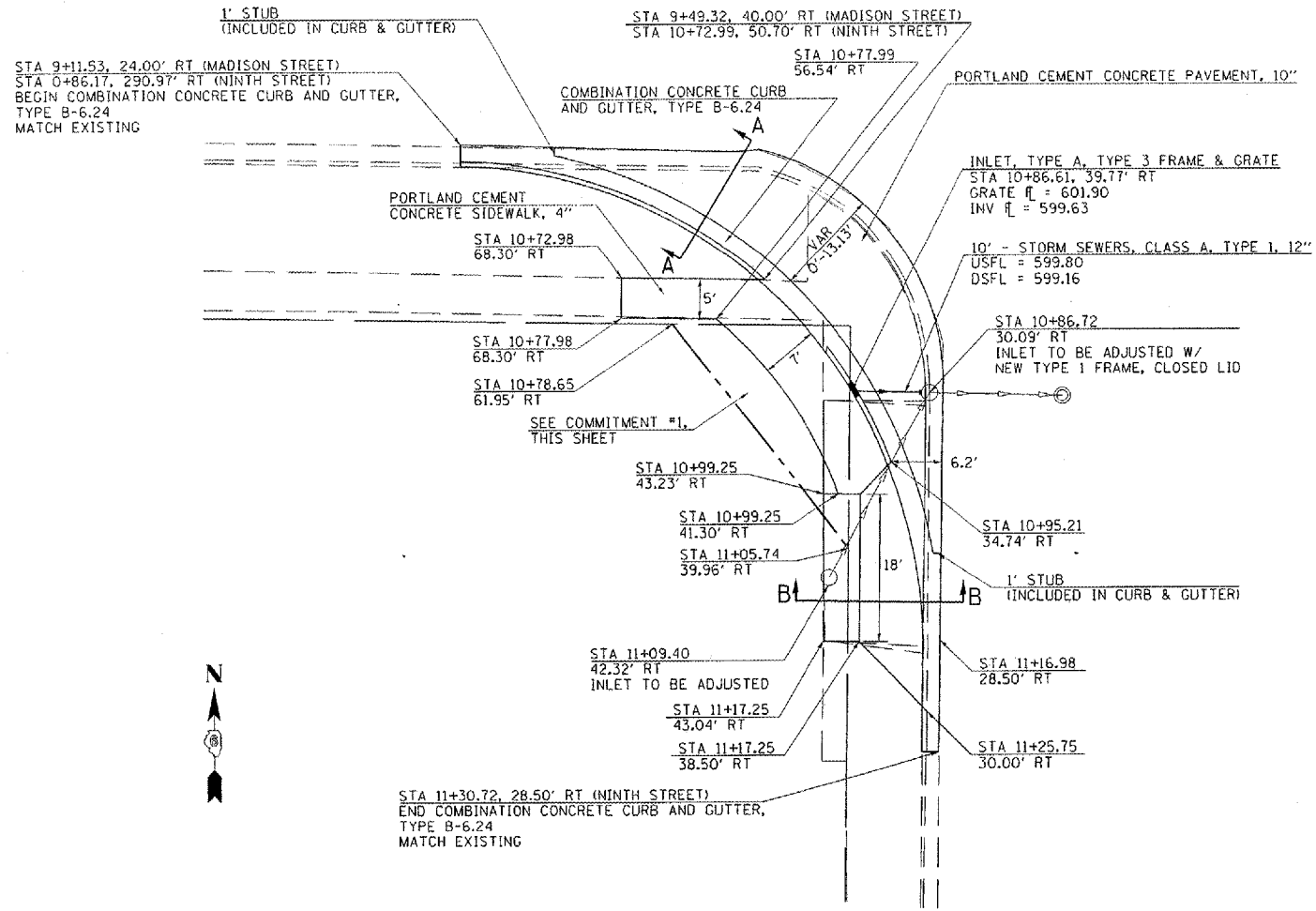


F.A.P. RTE.	SECTION	COUNTY	TOTAL SHEETS	SHEET NO.
666	ISP-2RS-4	SANGAMON	80	40
STA.		TO STA.		
FED. ROAD DIST. NO.		ILLINOIS FED. AID PROJECT		



COMMITMENT #1
 AS PART OF A COMMITMENT, THE CONTRACTOR WILL BE RESPONSIBLE TO REMOVE THE EXISTING PAVEMENT AREA BETWEEN THE PROPOSED SIDEWALK AND PROPOSED RIGHT OF WAY WITH INCIDENTAL HOT-MIX AGGREGATE BASE COURSE AND HOT-MIX ASPHALT.

ESTIMATED QUANTITIES:

35100700	AGGREGATE BASE COURSE, TYPE A, 8"	15 SQ YD
40800050	INCIDENTAL HOT-MIX ASPHALT SURFACING (3")	3 TONS
44000100	PAVEMENT REMOVAL	15 SQ YD
44213200	SAW CUTS	50 LIN FT

NOTE: ELEVATIONS LISTED ARE TO THE TOP BACK OF CURB UNLESS OTHERWISE SPECIFIED.

BENCHMARK:
 TJM*107 - CHISELED "X" IN TOP WEST BOLT OF FIRE HYDRANT IN NORTHEAST QUADRANT OF THE NINTH ST / JEFFERSON ST INTERSECTION
 ELEV. = 603.05'

REVISIONS	
NAME	DATE

ILLINOIS DEPARTMENT OF TRANSPORTATION

DETAILS
 FAP 666 (I-55 BUSINESS LOOP-NINTH STREET)

SCALE: VERT. _____
 HORIZ. _____
 DATE _____

DRAWN BY _____
 CHECKED BY _____

PLOT DATE = 5/1/2007
 FILE NAME = c:\pvc\pvc\666\301\18_1\final\mtr\details.dwg
 USER NAME = boughner