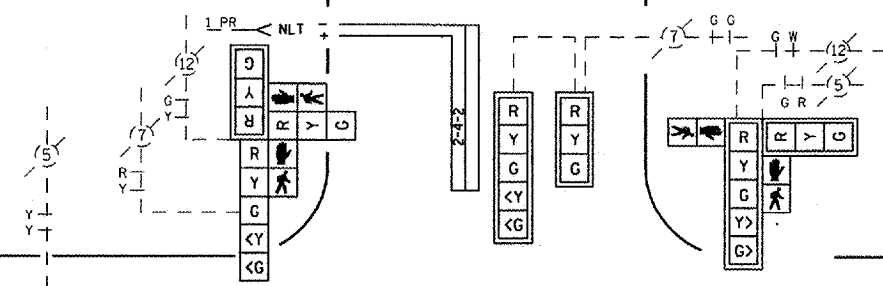
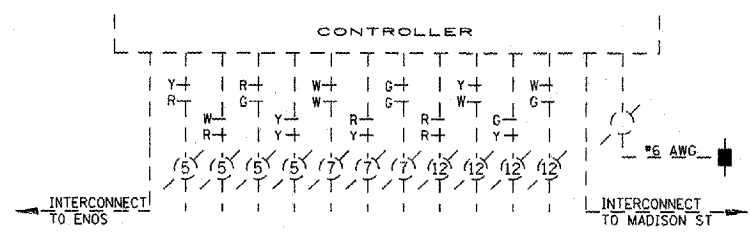
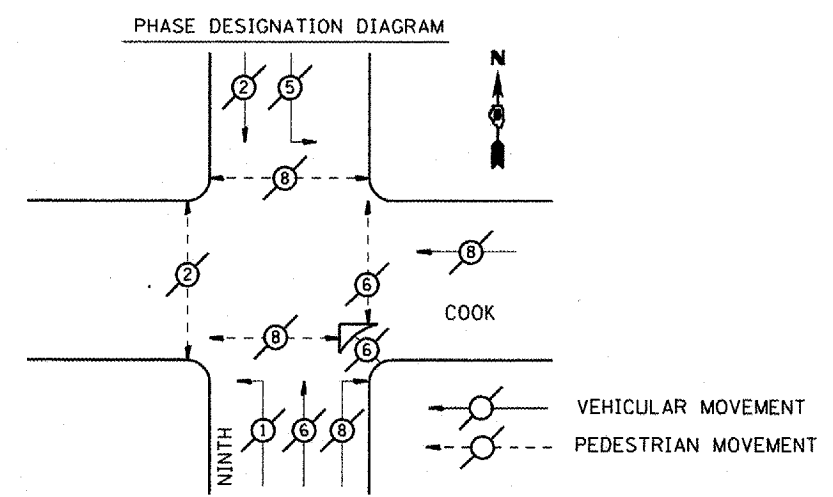
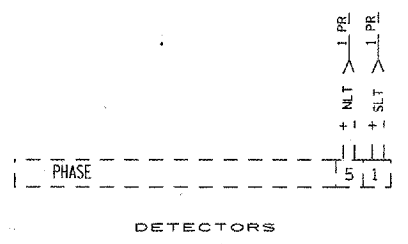


F.A.P. RTE.	SECTION	COUNTY	TOTAL SHEETS	SHEET NO.
666	SP-Z, RS-4	SANGAMON	80	73
STA.		TO STA.		
FED. ROAD DIST. NO.		ILLINOIS FED. AID PROJECT		



COOK ST

NINTH ST



NO SCALE

REVISIONS	
NAME	DATE

ILLINOIS DEPARTMENT OF TRANSPORTATION  
**TRAFFIC SIGNAL PLAN**  
 FAP ROUTE 666 (I-55 BUS/9TH STREET)  
 NINTH STREET AT COOK STREET  
 SCALE: VERT. \_\_\_\_\_  
 HORIZ. \_\_\_\_\_  
 DATE \_\_\_\_\_ DRAWN BY \_\_\_\_\_  
 CHECKED BY \_\_\_\_\_

PLOT DATE = 04/18/88  
 FILE NAME = 471114  
 PLOT SCALE = 1/8"=1'-0"  
 USER NAME = JLS