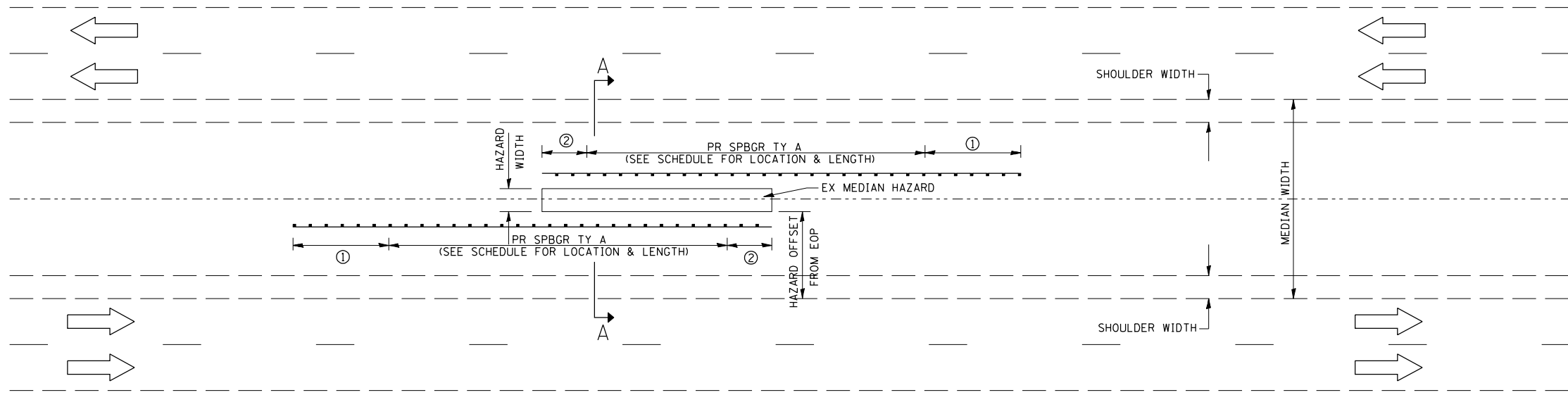


F.A.I. RTE.	SECTION	COUNTY	TOTAL SHEETS	SHEET NO.
72	*	**	12	9

FED. ROAD DIST. NO.	ILLINOIS	FED. AID PROJECT

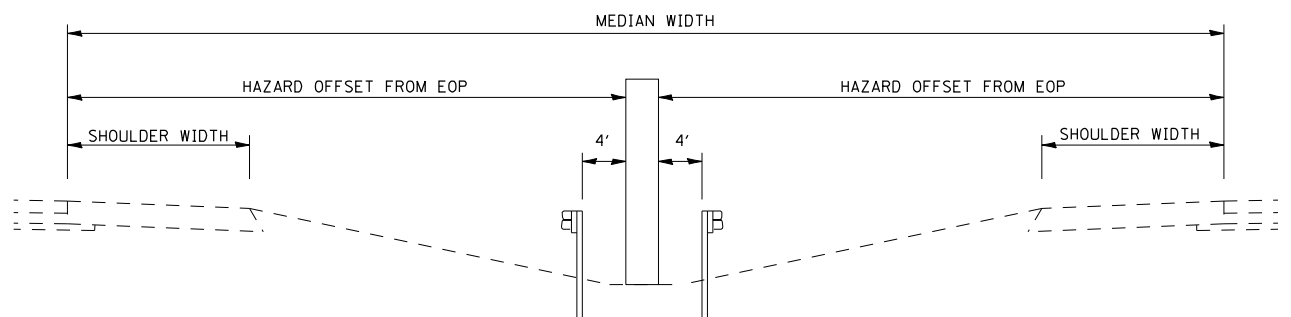
* - D-6 MEDIAN PROTECTION 2007-1
 ** - ADAMS, MORGAN, PIKE, SANGAMON AND SCOTT COUNTIES



DETAIL "A"

(PROPOSED PROTECTION OF MEDIAN HAZARD WITH PROPOSED GUARDRAIL)

- ① PR TRAFFIC BARRIER TERMINAL, TYPE 1, SPECIAL (TANGENT)
- ② PR TRAFFIC BARRIER TERMINAL, TYPE 2
NOTE: TYPE 2 TERMINATES AT END OF HAZARD



SECTION A-A

(TYPICAL CROSS SECTION)

REVISIONS	
NAME	DATE

ILLINOIS DEPARTMENT OF TRANSPORTATION
 DETAIL "A"
 FAI 72
 SECTION D-6 MEDIAN PROTECTION 2007-1
 ADAMS, MORGAN, PIKE, SANGAMON
 AND SCOTT COUNTIES

PLOT DATE = 5/10/2007
 FILE NAME = c:\p\projects\d653007\shdetalls.dgn
 PLOT SCALE = 1/8" = 1' / IN.
 USER NAME = laughlin