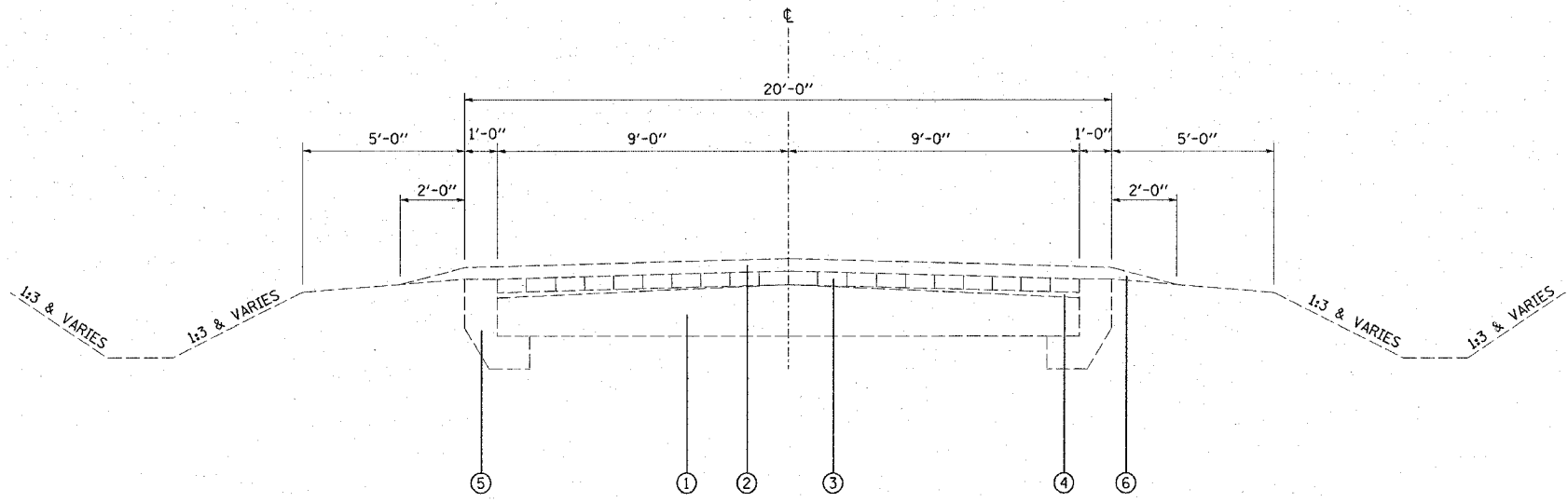


F.A.U. RTE.	SECTION	COUNTY	TOTAL SHEETS	SHEET NO.
9079	65BR	MADISON	46	5
STA.	TO STA.			
FED. ROAD DIST. NO.	ILLINOIS	FED. AID PROJECT		

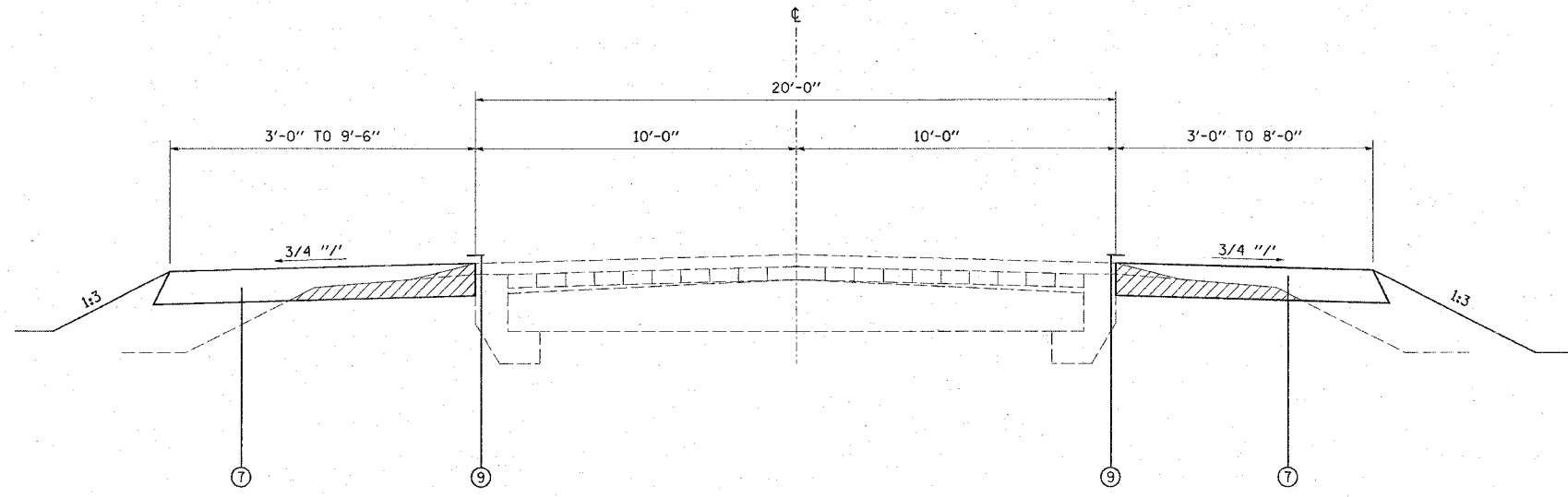


EXISTING TYPICAL SECTION

STA 386+00 TO STA 386+55
STA 390+35 TO STA 390+75

LEGEND

- ① EXISTING PAVEMENT - 7"
- ② EXISTING BITUMINOUS SURFACE COURSE & LEVELING BINDER
- ③ EXISTING BRICK - 2 1/2"
- ④ EXISTING BITUMINOUS MASTIC CUSHION - 3/4" TO 1 1/2"
- ⑤ EXISTING CONCRETE WIDENING
- ⑥ EXISTING GRAVEL OR CRUSHED STONE SHOULDER
- ⑦ PROPOSED HOT-MIX ASPHALT BASE COURSE - 9"
- ⑧ PROPOSED AGGREGATE SHOULDER - 6"
- ⑨ PROPOSED PAVEMENT MARKING LINE - 4"



PROPOSED TYPICAL SECTION

STA 386+00 TO STA 386+55
STA 390+35 TO STA 390+75

MIXTURE REQUIREMENTS

MIXTURE USE	BINDER
AC/PG	PG 64-22
RAP % (MAX)	15%
DESIGN AIR VOIDS	4.0% @ Ndes=70
MIX COMPOSITION (GRADIATION MIXTURE)	
FRICTION AGG	MIXTURE "B"

NOTE: BINDER SPECIFICATIONS LISTED IN CHART ABOVE SHALL APPLY TO "HOT-MIX ASPHALT BASE COURSE, 9 INCH" AS SHOWN IN THE TYPICAL SECTIONS.

REVISIONS	
NAME	DATE

ILLINOIS DEPARTMENT OF TRANSPORTATION

TYPICAL SECTIONS

FAP ROUTE 9079
SECTION 65BR
MADISON COUNTY
SN 060-0069 (E) 0236 (P)

PLOT DATE = 2/13/2007
 FILE NAME = c:\arc\mcs\ad\6899\plan\p1416899a.dgn
 PLOT SCALE = 1/8" = 1'-0"
 REFERENCE = #REF#