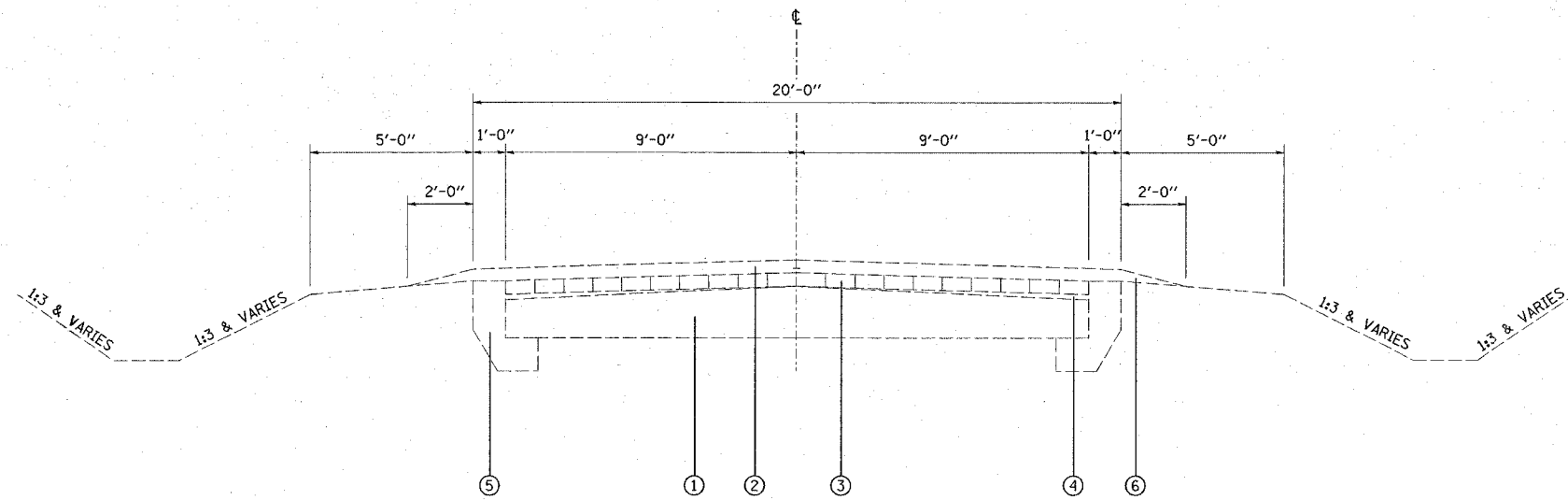


F.A.U. RTE.	SECTION	COUNTY	TOTAL SHEETS	SHEET NO.
9079	65BR	MADISON	46	6
STA.		TO STA.		
FED. ROAD DIST. NO.		ILLINOIS FED. AID PROJECT		

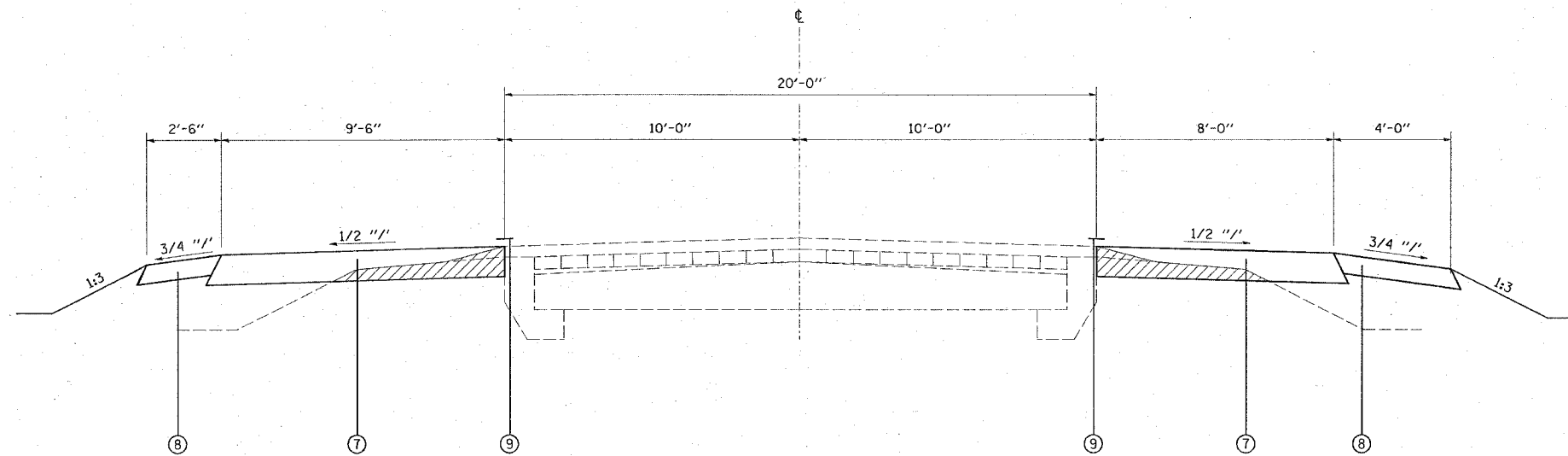


EXISTING TYPICAL SECTION

STA 386+55 TO STA 387+75
STA 389+13 TO STA 390+35

LEGEND

- ① EXISTING PAVEMENT 7"
- ② EXISTING BITUMINOUS SURFACE COURSE & LEVELING BINDER
- ③ EXISTING BRICK - 2 1/2"
- ④ EXISTING BITUMINOUS MASTIC CUSHION - 3/4" TO 1 1/2"
- ⑤ EXISTING CONCRETE WIDENING
- ⑥ EXISTING GRAVEL OR CRUSHED STONE SHOULDER
- ⑦ PROPOSED HOT-MIX ASPHALT BASE COURSE - 9"
- ⑧ PROPOSED AGGREGATE SHOULDER - 6"
- ⑨ PROPOSED PAVEMENT MARKING LINE - 4"



PROPOSED TYPICAL SECTION

STA 386+55 TO STA 387+75
STA 389+13 TO STA 390+35

MIXTURE REQUIREMENTS

MIXTURE USE	BINDER
AC/PG	PG 64-22
RAP % (MAX)	15%
DESIGN AIR VOIDS	4.0% @ Ndes=70
MIX COMPOSITION (GRADIATION MIXTURE)	
FRICITION AGG	MIXTURE "B"

NOTE: BINDER SPECIFICATIONS LISTED IN CHART ABOVE SHALL APPLY TO "HOT-MIX ASPHALT BASE COURSE, 9 INCH" AS SHOWN IN THE TYPICAL SECTIONS.

REVISIONS	
NAME	DATE

ILLINOIS DEPARTMENT OF TRANSPORTATION

TYPICAL SECTIONS

FAP ROUTE 9079
SECTION 65BR
MADISON COUNTY
SN 060-0069 (E) 0236 (P)