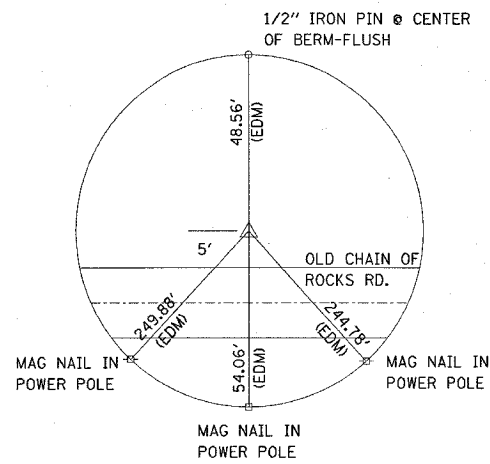


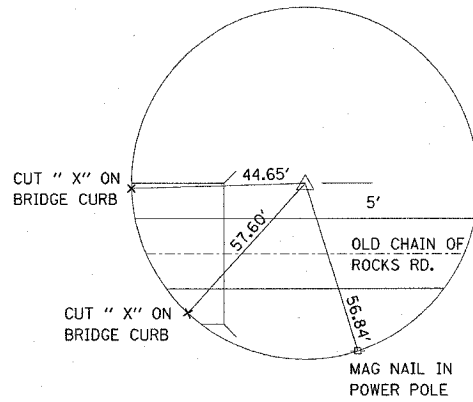
F.A.I. RTE.	SECTION	COUNTY	TOTAL SHEETS	SHEET NO.
9079	65BR	MADISON	46	9
STA.		TO STA.		
FED. ROAD DIST. NO.		ILLINOIS FED. AID PROJECT		

NOTE: ALL MEASUREMENTS ARE PULLED DIRECT



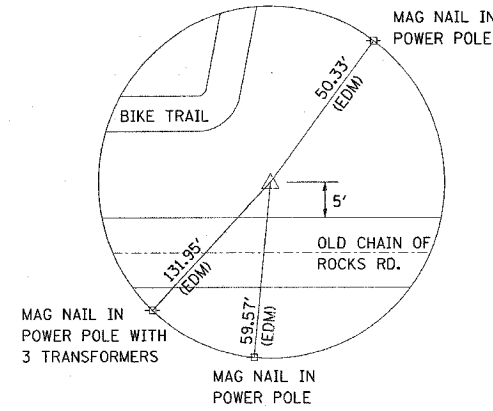
**TIE POINT #1**

IRON PIN WITH IDOT CAP (FLUSH)  
1379.5'± (EDM) WEST OF CENTER OF  
OLD CHAIN OF ROCKS RD BRIDGE  
OVER MADISON COUNTY DITCH



**TIE POINT #2**

IRON PIN WITH IDOT CAP (FLUSH)



**TIE POINT #3**

IRON PIN WITH IDOT CAP (FLUSH)

**BENCHMARK**

BM 1- CUT "□" ON WINGWALL @ SE CORNER OF BRIDGE  
ELEV = 421.960

PLOT DATE = 10/19/2006  
FILE NAME = c:\pwork\9079\65br\tpoint\tpoint.dgn  
PLOT SCALE = 1/8" = 100'  
REFERENCE = #REF#

REVISIONS	
NAME	DATE

ILLINOIS DEPARTMENT OF TRANSPORTATION  
**TIE POINTS & BENCHMARKS**

FAU ROUTE 9079  
SECTION 65BR  
MADISON COUNTY  
SN 060-0069 (E) 0236 (P)