

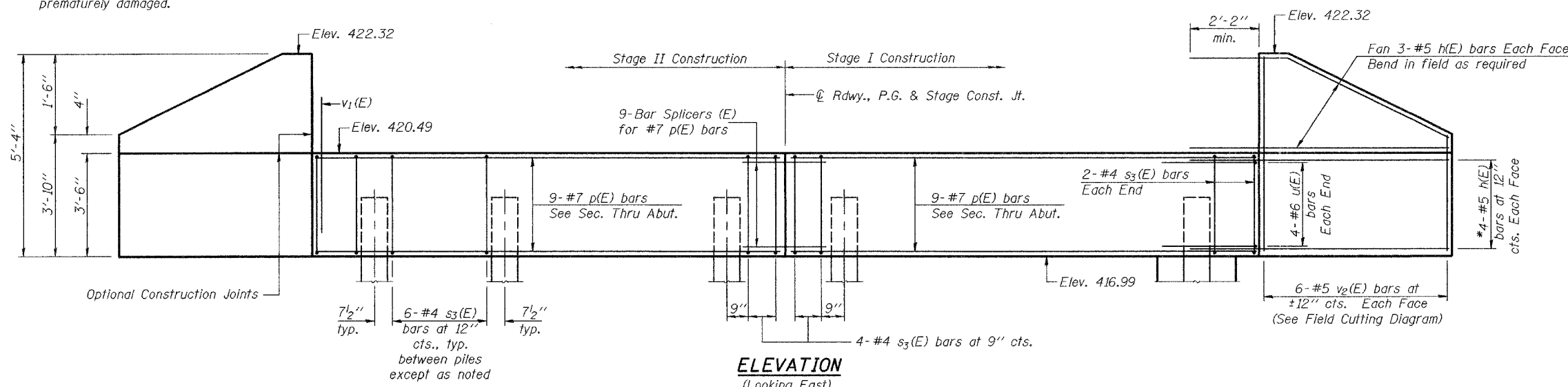
STATE OF ILLINOIS  
DEPARTMENT OF TRANSPORTATION

ROUTE NO.	SECTION	COUNTY	SHEET	SHEET NO.
F.A.U. 9079	65BR	MADISON	46 24	11 SHEETS
FED. ROAD DIST. NO. 7	ILLINOIS	FED. AID PROJECT		

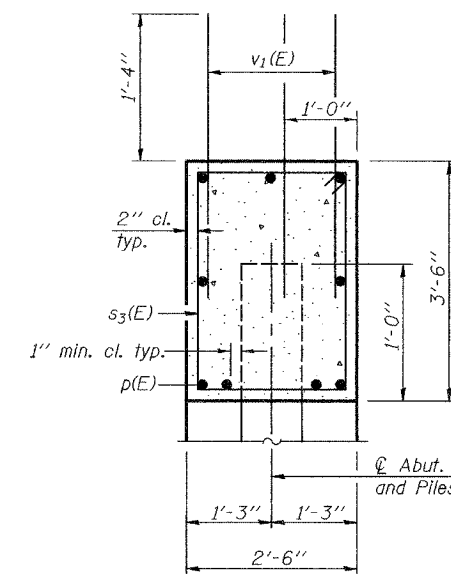
Contract 76136

Notes: For bar splicer details see sheet 10 of 11.

Excavation behind existing abutment walls shall be performed to balance front and back soil pressure before removing the existing superstructure. The Contractor shall sawcut the upper portion of the existing abutment at the stage removal line before Stage I removal to ensure the remaining portion will not be prematurely damaged.



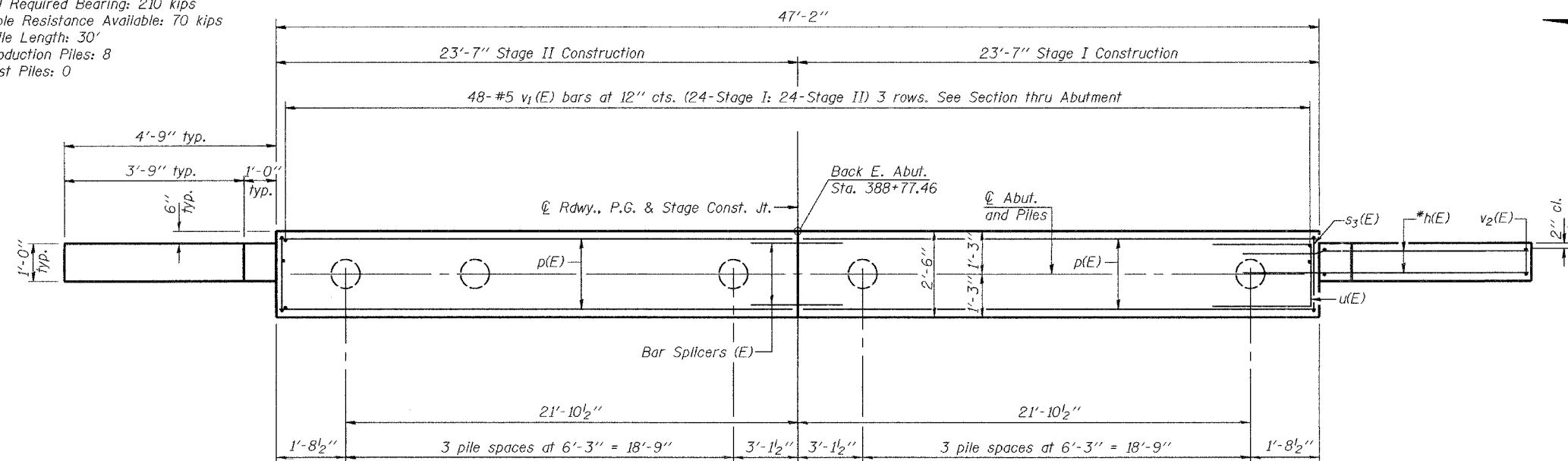
**ELEVATION**  
(Looking East)



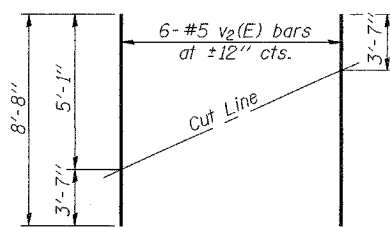
**SEC. THRU ABUT.**

**PILE DATA**

Pile Type and Size: Metal Shell - 12" dia. x 0.179" walls  
Nominal Required Bearing: 210 kips  
Allowable Resistance Available: 70 kips  
Est. Pile Length: 30'  
No. Production Piles: 8  
No. Test Piles: 0

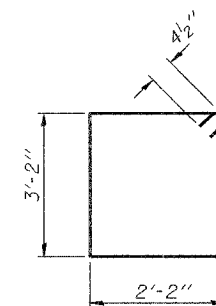


**PLAN**

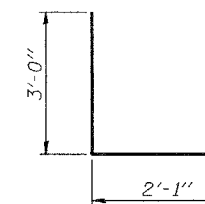


**FIELD CUTTING DIAGRAM**

Order v2(E) full length. Cut as shown and use remainder of bars in opposite face.



**BAR s2(E)**



**BAR u(E)**

\*If h(E) bars interfere with metal shells, cut h(E) bars in field to fit.

**BILL OF MATERIAL**

Bar	No.	Size	Length	Shape
h(E)	28	#5	7'-3"	—
p(E)	18	#7	23'-4"	—
s3(E)	48	#4	11'-5"	□
u(E)	8	#6	8'-1"	□
v1(E)	144	#5	3'-6"	—
v2(E)	12	#5	8'-8"	—
Concrete Structures			Cu. Yd.	17.0
Reinforcement Bars, Epoxy Coated			Pound	2170
Structure Excavation			Cu. Yd.	80
Furnishing Metal Pile Shells 12" φ			Foot	240
Driving Piles			Foot	240

DESIGNED	R.L.T.
CHECKED	J.P.A. & T.R.B.
DRAWN	BECKY M. LEACH
CHECKED	R.L.T. & G.R.A.

November 22, 2006  
EXAMINED *Thomas Damagala*  
PASSED *Ralph E. Anderson*  
ENGINEER OF BRIDGES AND STRUCTURES

**EAST ABUTMENT**  
**F.A.U. ROUTE 9079 - SECTION 65BR**  
**MADISON COUNTY**  
**STATION 388+43.96**  
**STRUCTURE NO. 060-0236**