

STATE OF ILLINOIS
DEPARTMENT OF TRANSPORTATION

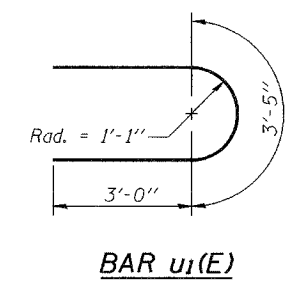
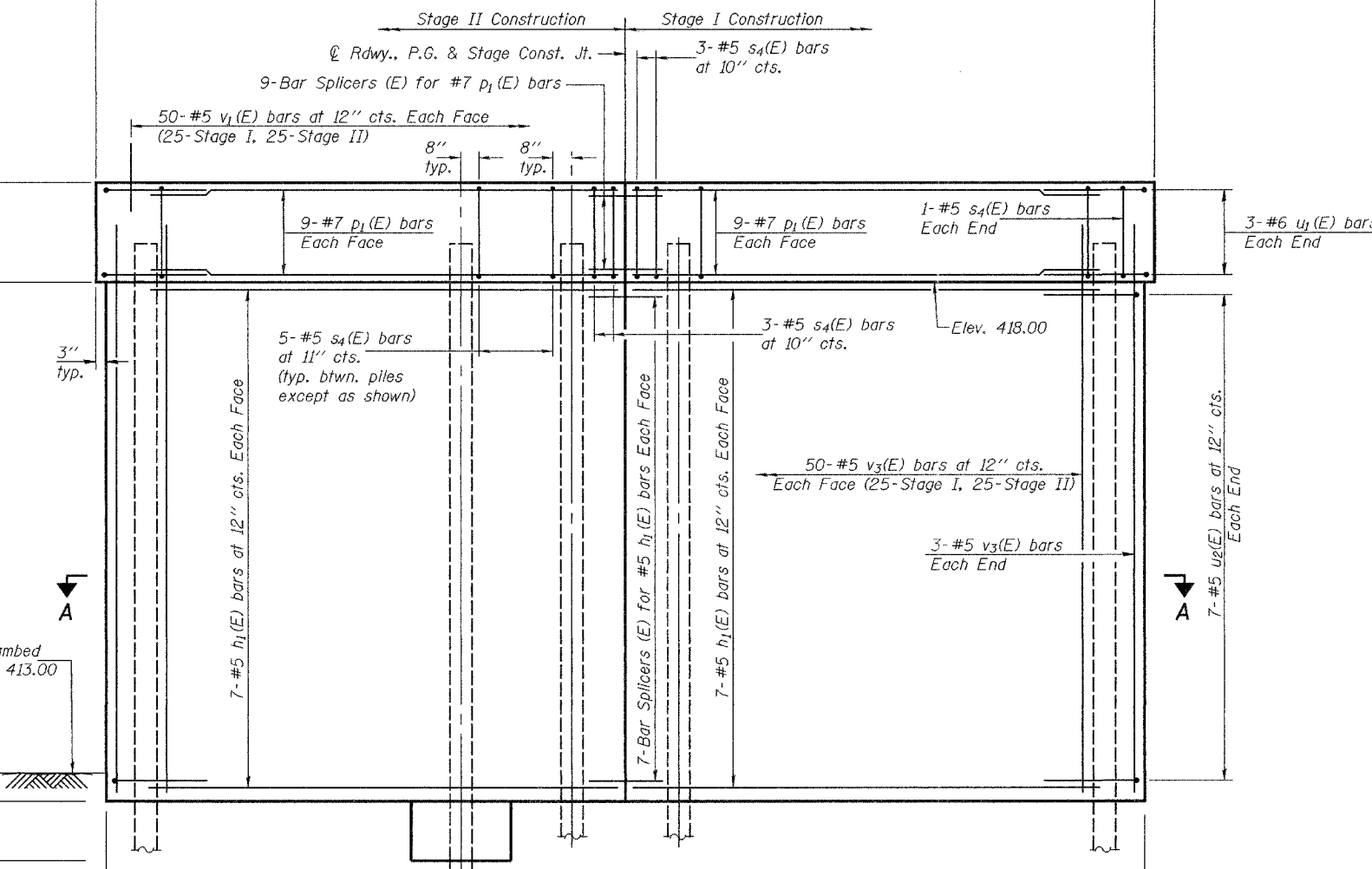
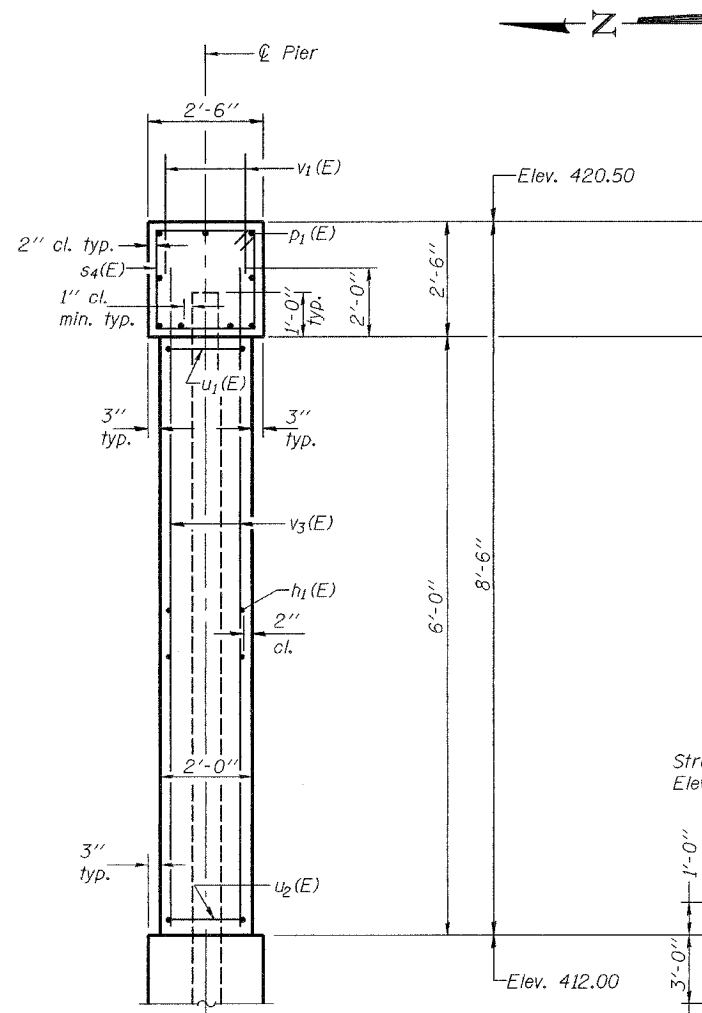
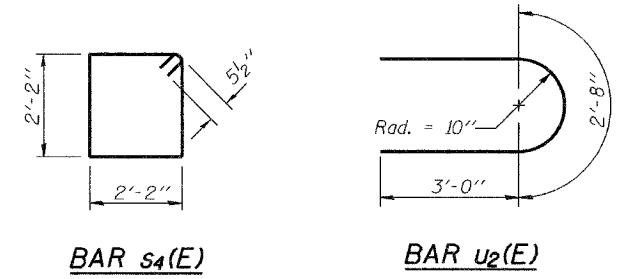
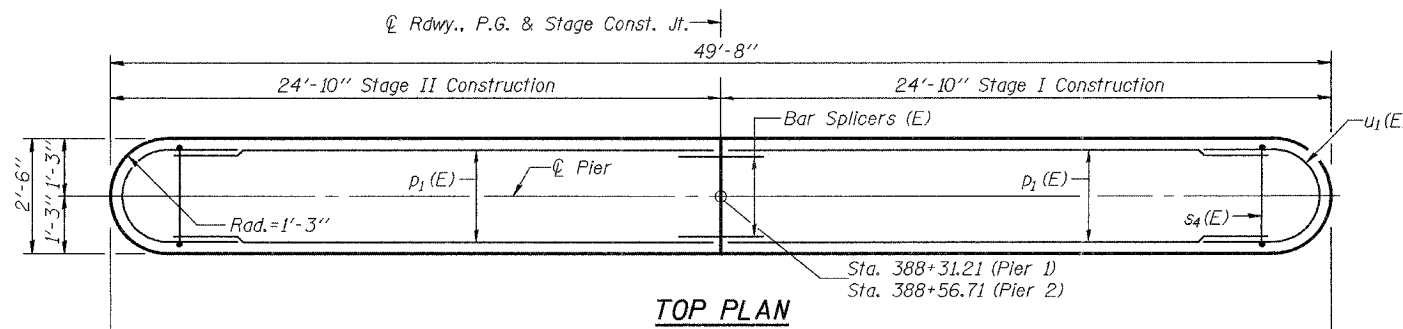
ROUTE NO.	SECTION	COUNTY	TOTAL SHEETS	SHEET NO.	SHEET NO. 8
F.A.U. 9079	65BR	MADISON	40	25	11 SHEETS
FED. ROAD DIST. NO. 7	ILLINOIS	FED. AID PROJECT-			

Contract 76136

Note: For bar splicer details, see sheet 10 of 11.

PILE DATA

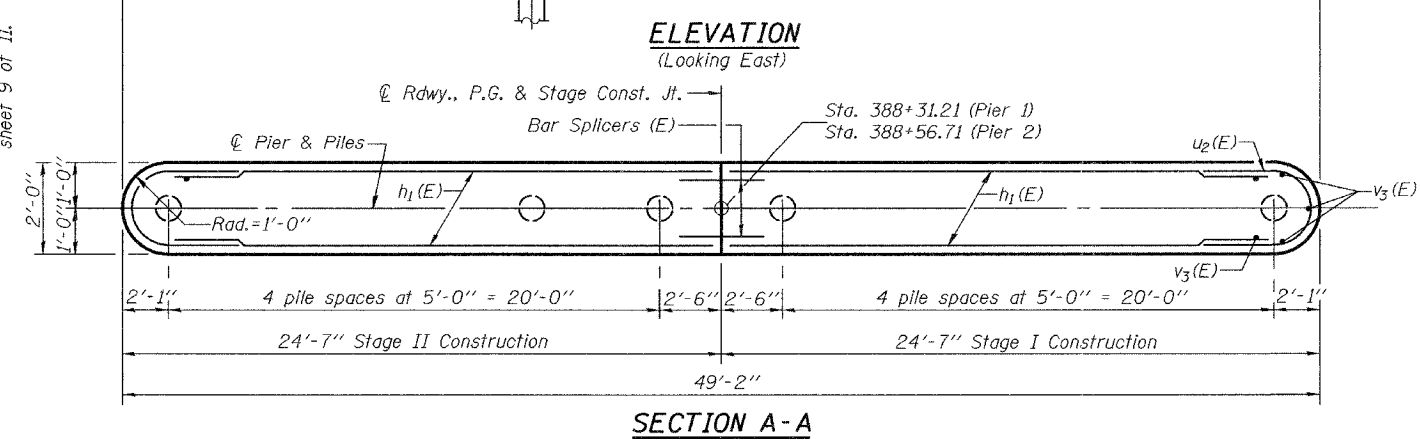
Pile Type and Size: Metal Shell - 12" dia. x 0.179" walls
Nominal Required Bearing: 240 kips
Allowable Resistance Available: 80 kips
Est. Pile Length: 36'
No. Production Piles: 10 (Pier 1), 9 (Pier 2)
No. Test Piles: 0 (Pier 1), 1 (Pier 2)



END VIEW

DESIGNED	R.L.T.
CHECKED	J.P.A. & T.R.B.
DRAWN	BECKY M. LEACH
CHECKED	R.L.T. & G.R.A.

November 22, 2006
EXAMINED *Thomas J. Damagala*
PASSED *Ralph E. Anderson*
ENGINEER OF BRIDGES AND STRUCTURES



SECTION A-A

BILL OF MATERIAL - TWO PIERS

Bar	No.	Size	Length	Shape	
h1(E)	56	#5	23'-5"	—	
p1(E)	36	#7	23'-5"	—	
s4(E)	96	#5	9'-7"	□	
u1(E)	12	#6	9'-5"	U	
u2(E)	28	#5	8'-8"	U	
v1(E)	200	#5	3'-6"	—	
v3(E)	212	#5	7'-10"	—	
Concrete Structures				Cu. Yd.	66.0
Reinforcement Bars, Epoxy Coated				Pound	6940
Structure Excavation				Cu. Yd.	24
Furnishing Metal Pile Shells 12" φ				Foot	684
Driving Piles				Foot	684
Underwater Structure Excavation Protection, Location 1				Each	1
Underwater Structure Excavation Protection, Location 2				Each	1
Test Pile Metal Shells				Each	1

PIERS
F.A.U. ROUTE 9079 - SECTION 65BR
MADISON COUNTY
STATION 388+43.96
STRUCTURE NO. 060-0236