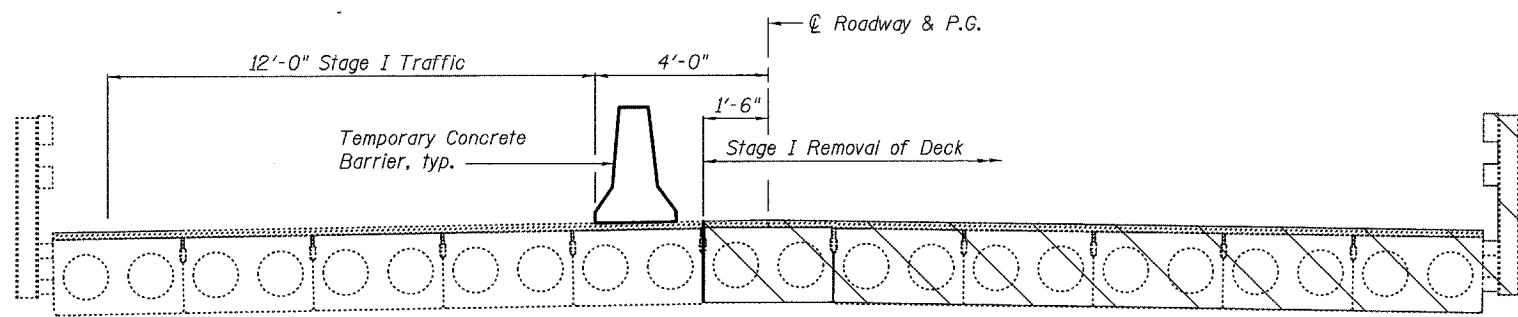


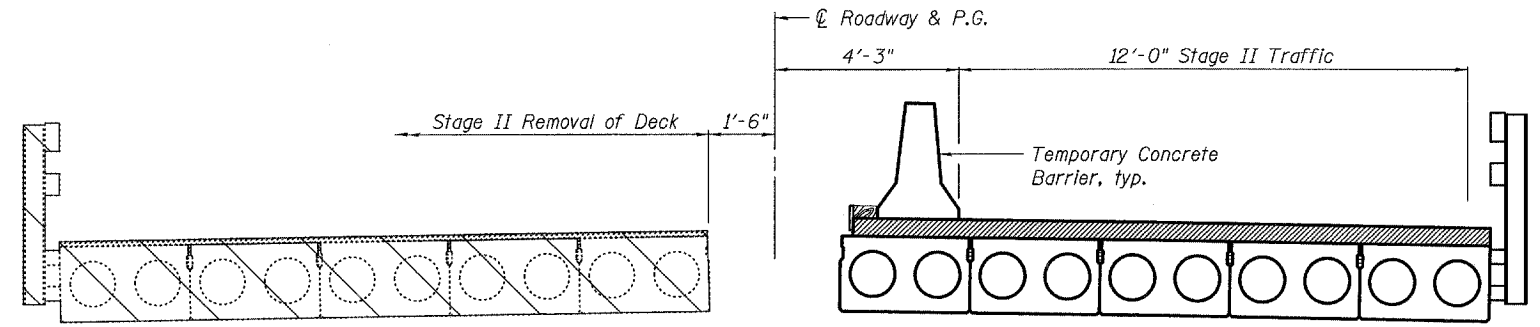
STATE OF ILLINOIS
DEPARTMENT OF TRANSPORTATION

ROUTE NO.	SECTION	COUNTY	TOTAL SHEETS	SHEET NO.	SHEET NO. 3 15 SHEETS
F.A.P. RTE. 793	112BR-2	BOND	52	31	
FED. ROAD DIST. NO. 7	ILLINOIS	FED. AID PROJECT-			

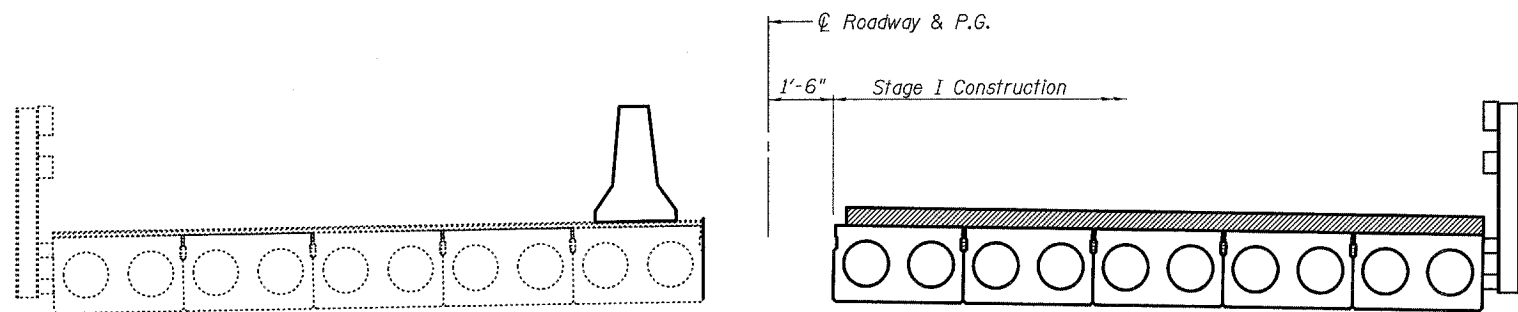
Contract #76897



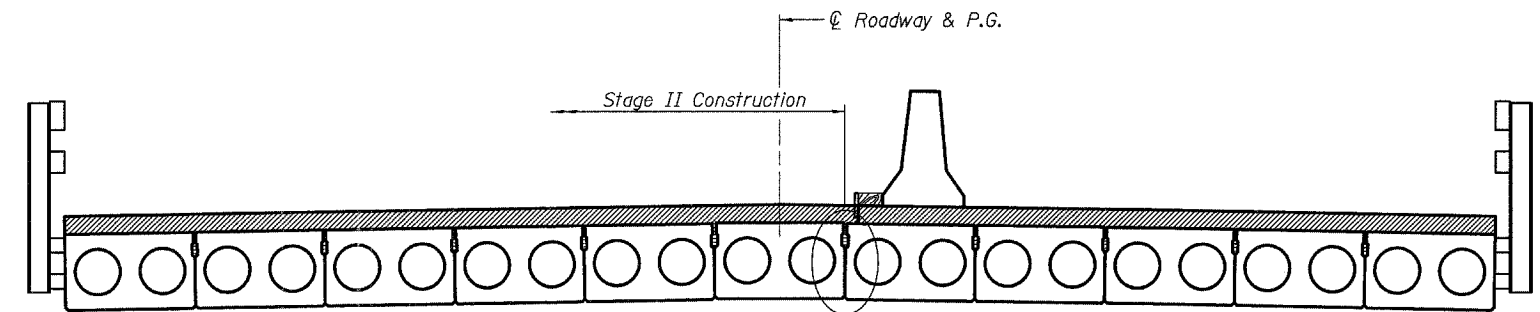
STAGE I REMOVAL
(Looking East)



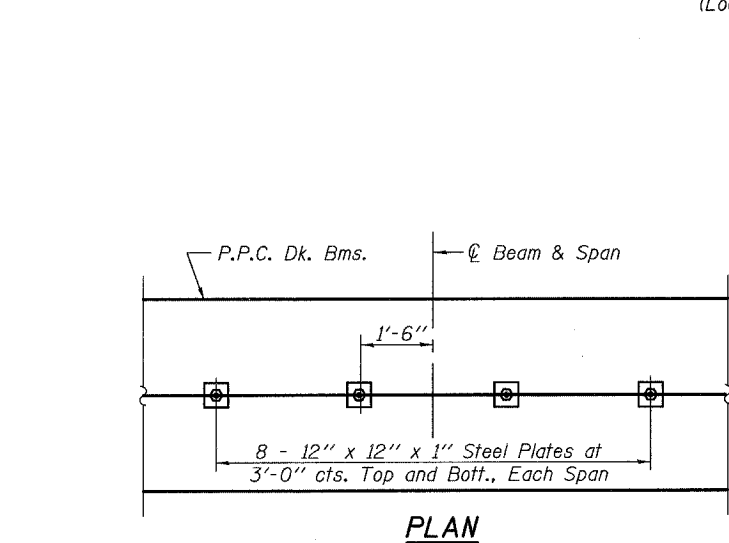
STAGE II REMOVAL
(Looking East)



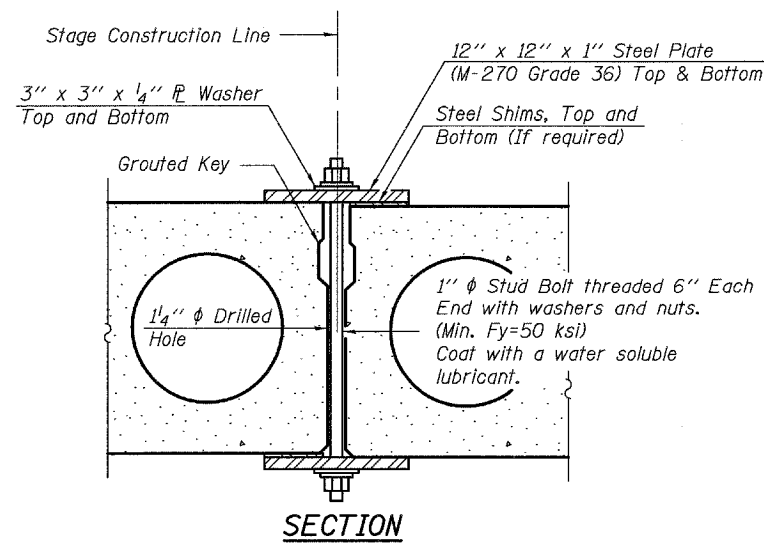
STAGE I CONSTRUCTION
(Looking East)



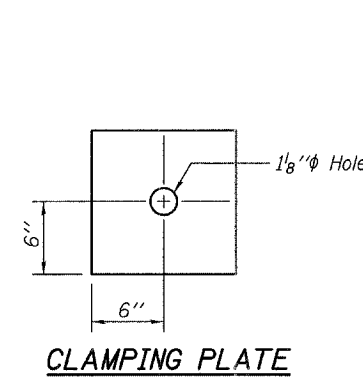
STAGE II CONSTRUCTION
(Looking East)



PLAN



SECTION



CLAMPING PLATE

- Notes:
- ① For quantity of Temporary Concrete Barrier, see roadway plans.
 - ② For details of Temporary Concrete Barrier, see sheet 4 of 15.
 - ③ Cost of shear key clamps is included with Precast Prestressed Concrete Deck Beams.
 - ④ See Special Provisions for Stage Construction of Precast Prestressed Concrete Deck Beams.

SHEAR KEY CLAMPING DETAILS AT STAGE CONST. JT.

STAGE CONSTRUCTION DETAILS
IL ROUTE 143 OVER BEAVER CREEK
F.A.P. ROUTE 793 - SECTION 112BR-2
BOND COUNTY
STA. 670+40
STRUCTURE NO. 003-0035