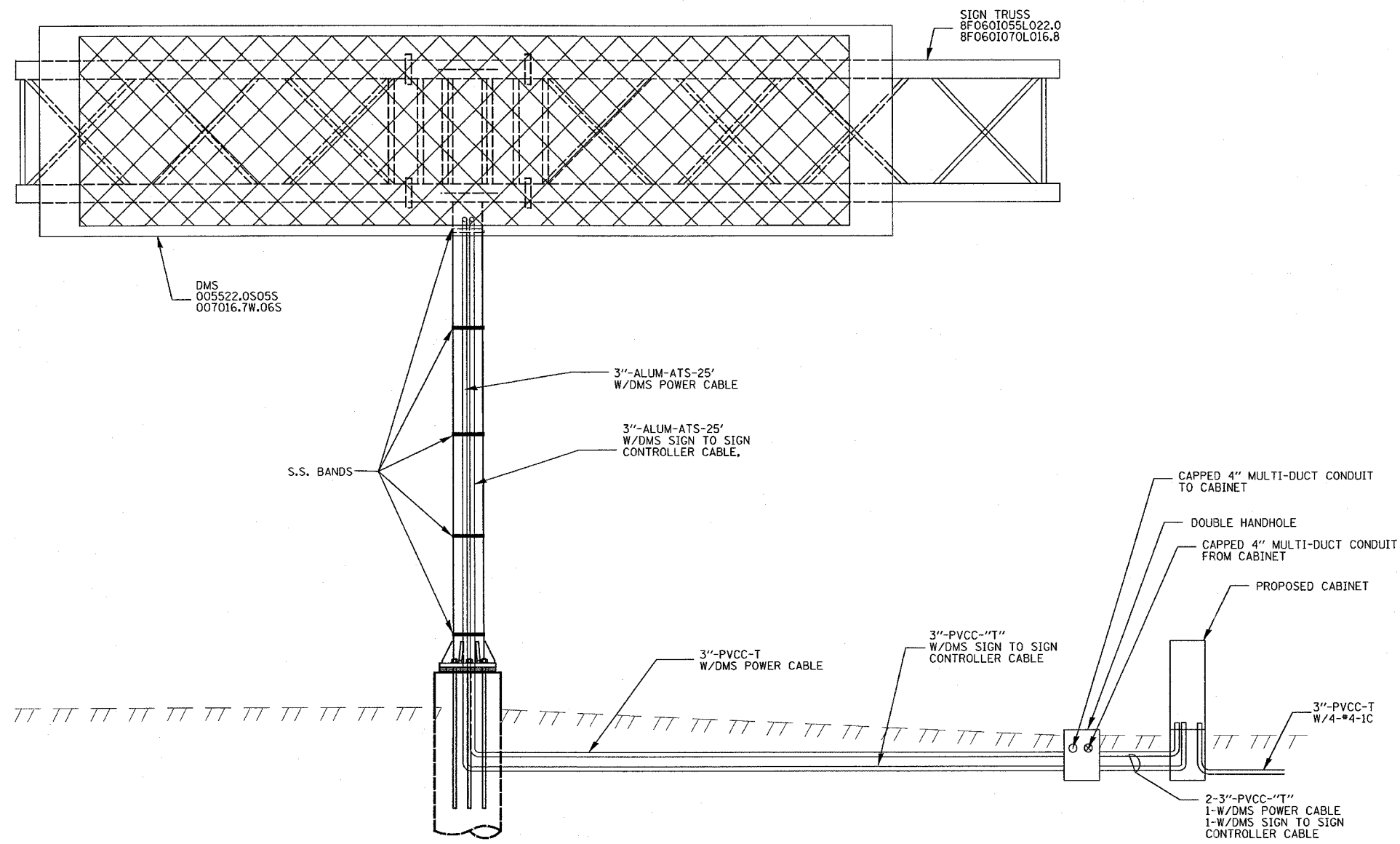
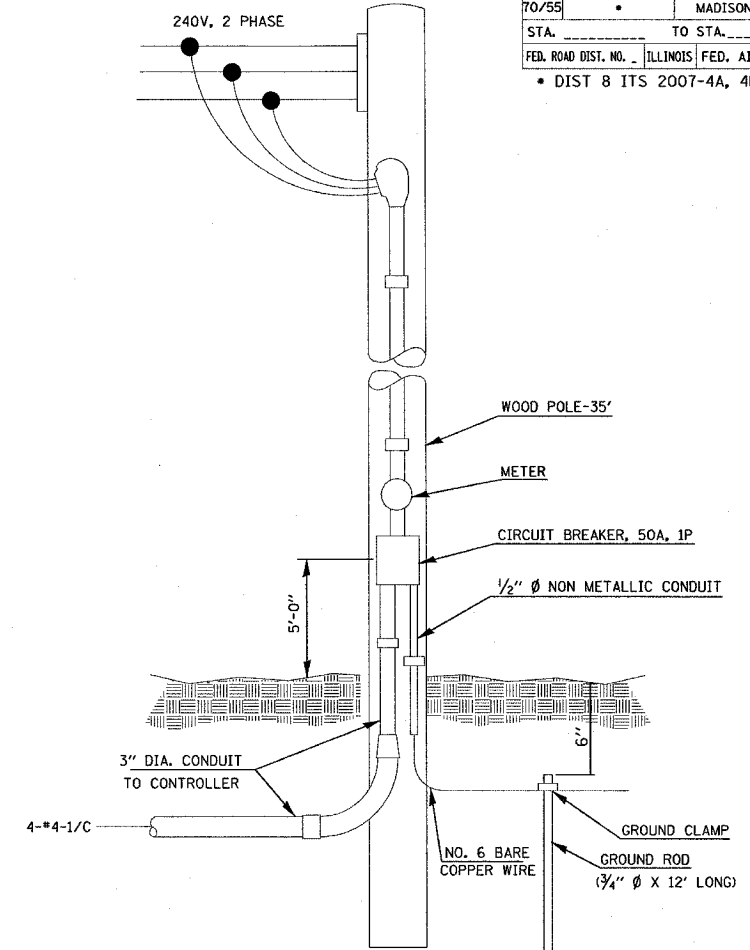


F.A.I. RTE.	SECTION	COUNTY	TOTAL SHEETS	SHEET NO.
70/55		MADISON	19	4
STA. TO STA.		FED. ROAD DIST. NO. - ILLINOIS FED. AID PROJECT		
		• DIST 8 ITS 2007-4A, 4B		

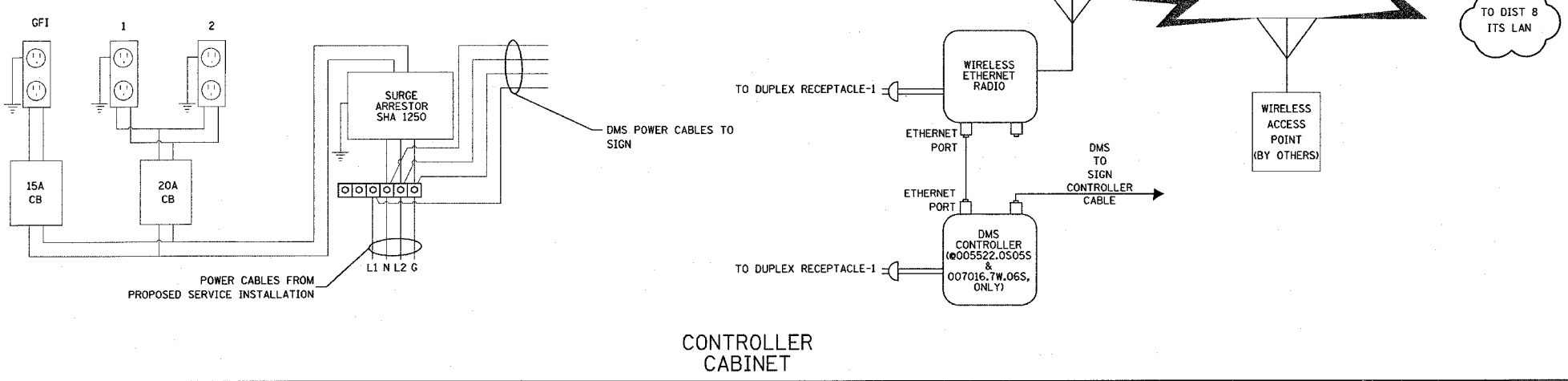


I-55 STA. 1148+69
I-70 STA. 1032+00

NOTE:
ALL MEASUREMENTS ARE ARBITRARY AND
NEED TO BE FIELD VERIFIED



SERVICE INSTALLATION, TYPE A
FOR MPO05522.0 & MPO07016.7
INSTALLATIONS
NOT TO SCALE
AT
I-55 STA. 1164+52, 64' RT
I-70 STA. 1014+20, 70' LT



CONTROLLER CABINET

REVISIONS	
NAME	DATE

ILLINOIS DEPARTMENT OF TRANSPORTATION
**DMS/TRUSS CONDUIT DETAILS,
SERVICE INSTALLATION DETAILS
AND CONTROLLER SCHEMATICS**
FAI 70/FAI 55
SECTION DIST 8 ITS 2007-4A, 4B
MADISON COUNTY

DATE 5/9/2007

PLOT DATE = 5/9/2007
 FILE NAME = c:\projects\7641\electrical\top\0107.dgn
 PLOT SCALE = 1/8" = 1'-0"
 REFERENCE = 0REF