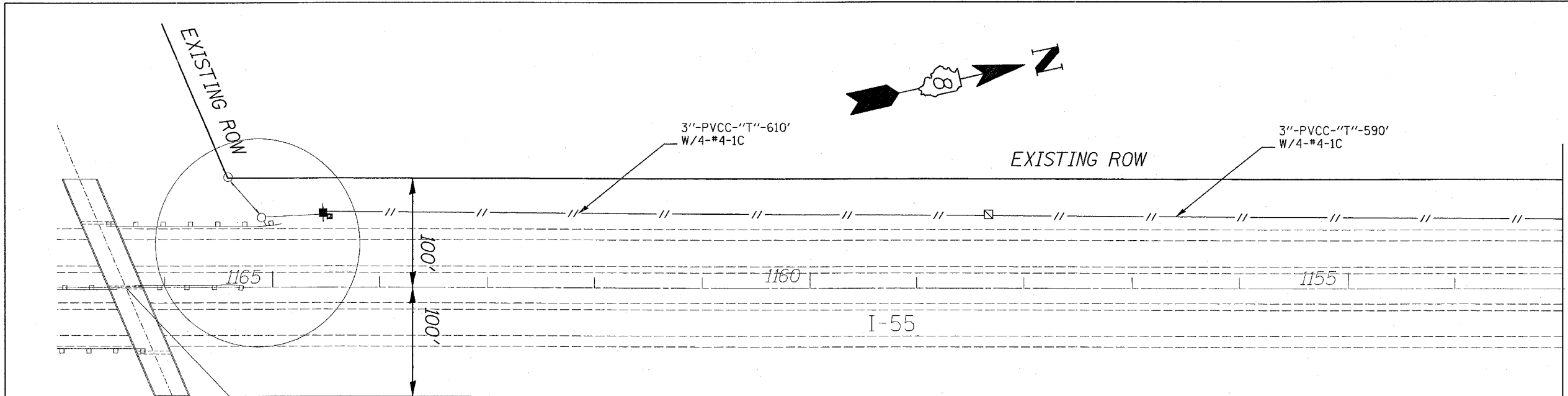
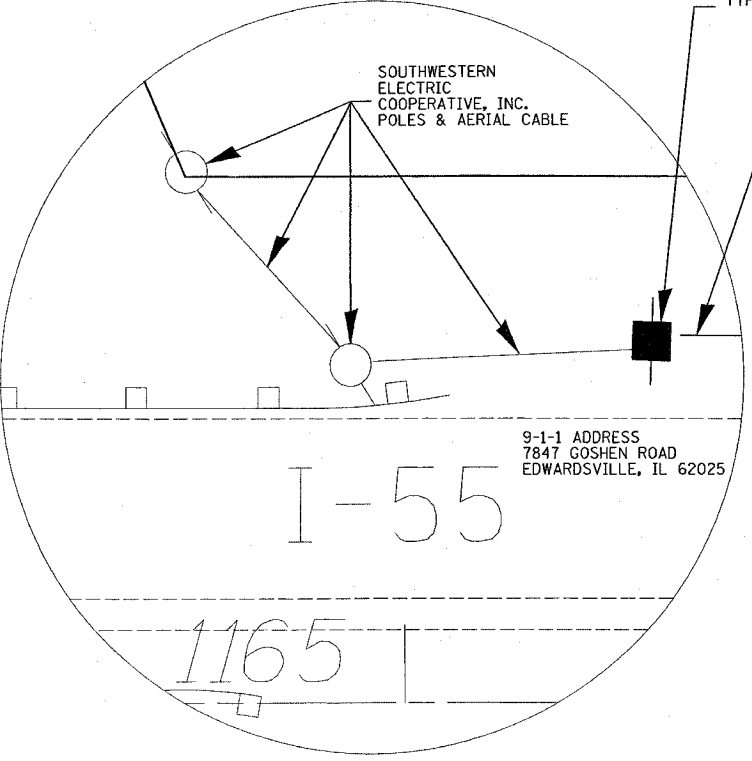
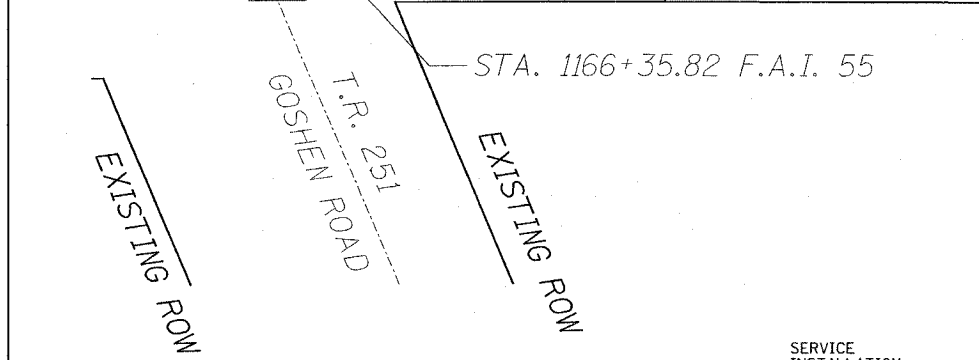


F.A.I. RTE.	SECTION	COUNTY	TOTAL SHEETS	SHEET NO.
70/55		MADISON	19	5
STA. _____		TO STA. _____		
FED. ROAD DIST. NO. _____ ILLINOIS FED. AID PROJECT				
• DIST 8 ITS 2007-4A, 4B				



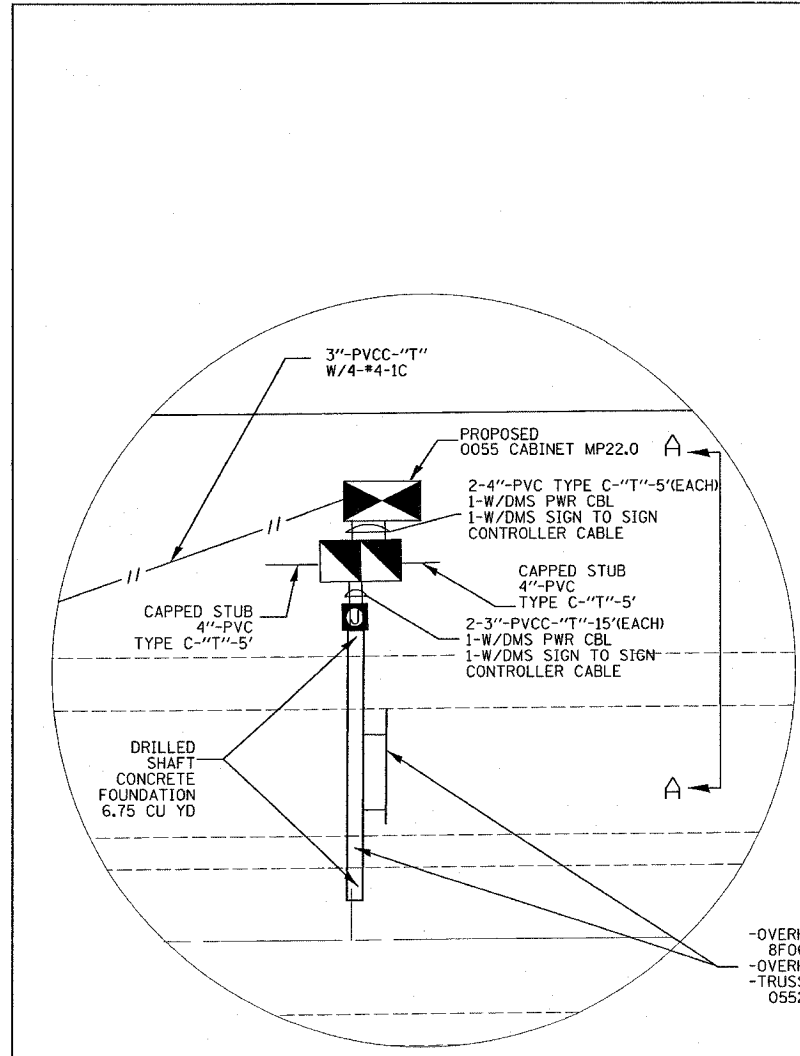
MATCHLINE 1153+00

STA. 1166+35.82 F.A.I. 55



SERVICE INSTALLATION TYPE A

3"-PVCC-"T" W/4-"4-1C

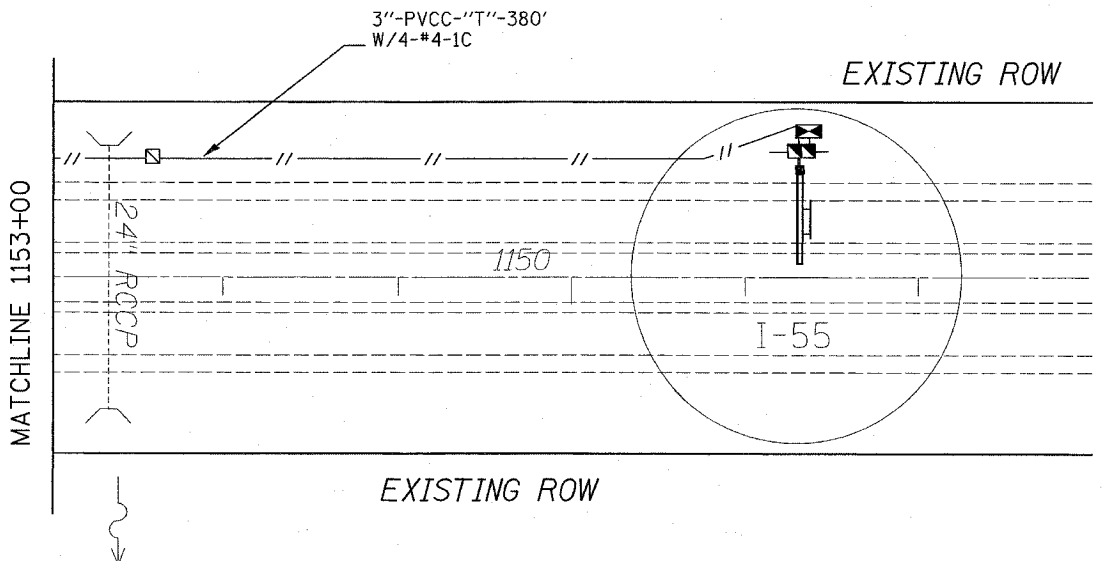


3"-PVCC-"T" W/4-"4-1C

PROPOSED 0055 CABINET MP22.0
 2-4"-PVC TYPE C-"T"-5'(EACH)
 1-W/DMS PWR CBL
 1-W/DMS SIGN TO SIGN CONTROLLER CABLE
 CAPPED STUB 4"-PVC TYPE C-"T"-5'
 2-3"-PVCC-"T"-15'(EACH)
 1-W/DMS PWR CBL
 1-W/DMS SIGN TO SIGN CONTROLLER CABLE

DRILLED SHAFT CONCRETE FOUNDATION 6.75 CU YD

MATCHLINE 1153+00



3"-PVCC-"T"-380' W/4-"4-1C

- OVERHEAD SIGN STRUCTURE - BUTTERFLY, TYPE III-F-A 8'0601055L022.0-38.25' FT
- OVERHEAD SIGN STRUCTURE WALKWAY, TYPE A-6.75 FT
- TRUSS MOUNTED DYNAMIC MESSAGE SIGN 05522.0S055-1 EACH

REVISIONS	
NAME	DATE

ILLINOIS DEPARTMENT OF TRANSPORTATION
ITS PLAN SHEET
05522.0S055
 FAI 70/FAI 55
 SECTION DIST 8 ITS 2007-4A, 4B
 MADISON COUNTY

DATE 6/5/2007

PLOT DATE = 6/5/2007
 PLOT SCALE = 5/8"=1'-0"
 REFERENCE = #REF#