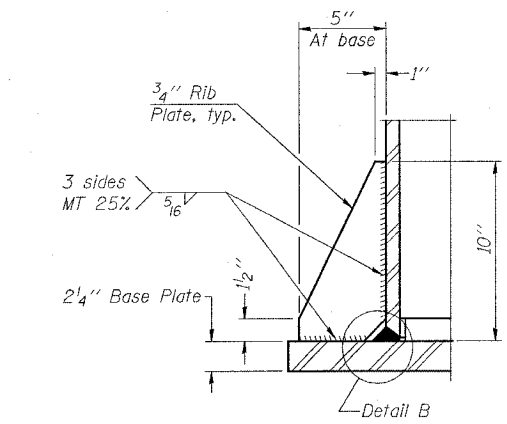
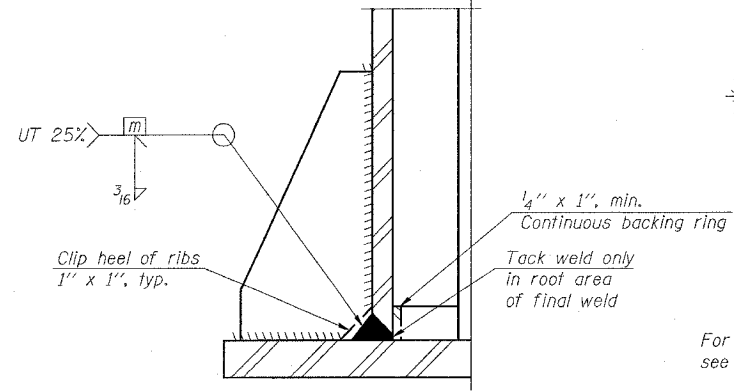


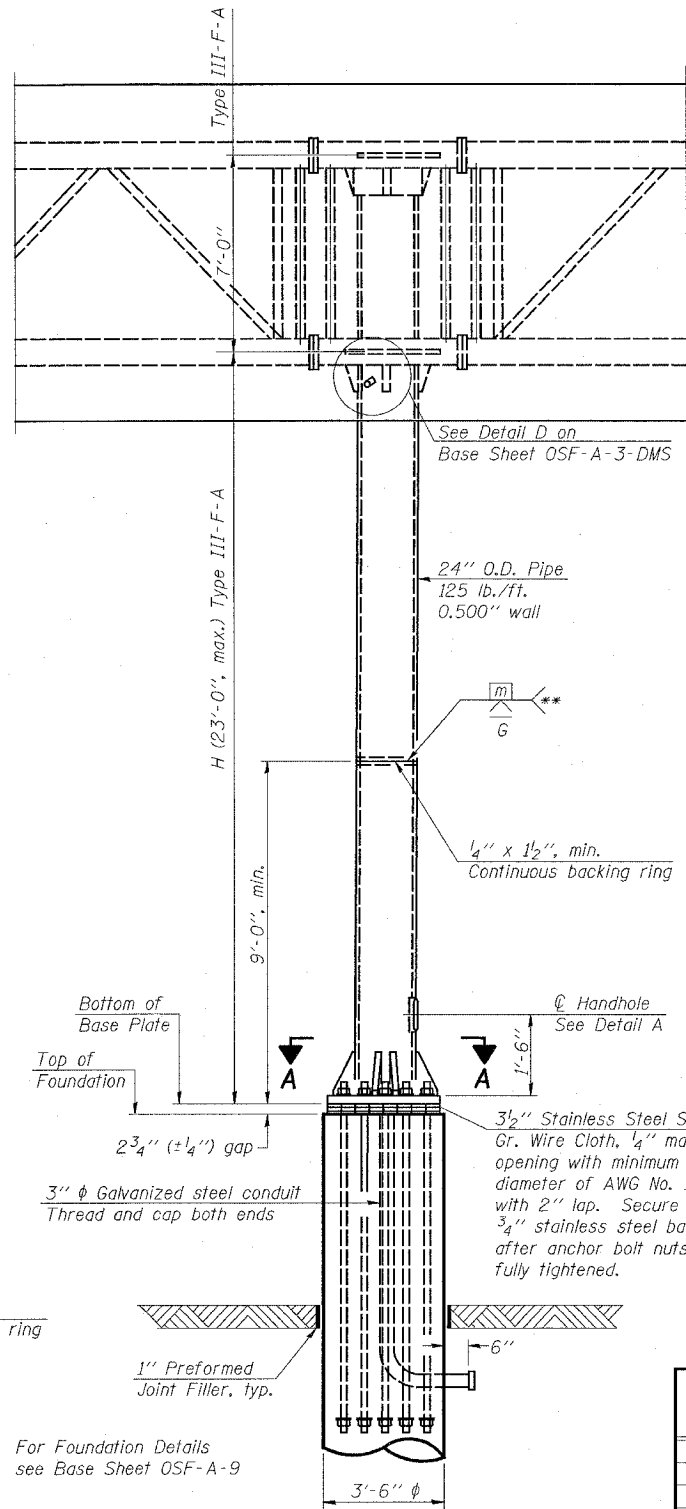
SECTION A-A



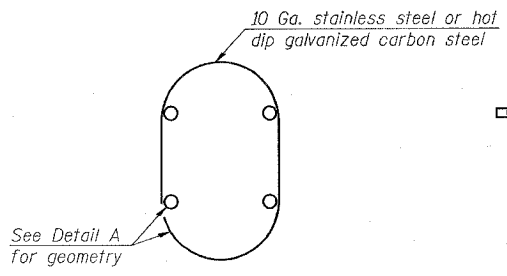
SECTION B-B



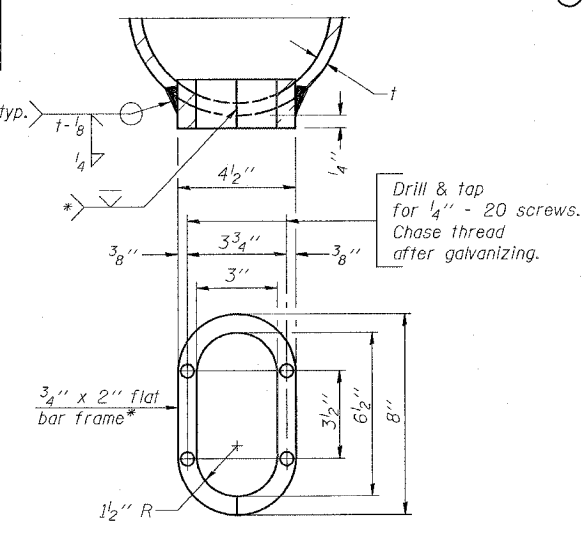
DETAIL B
(Typical rib)



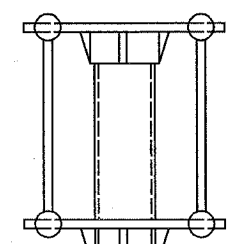
FRONT ELEVATION



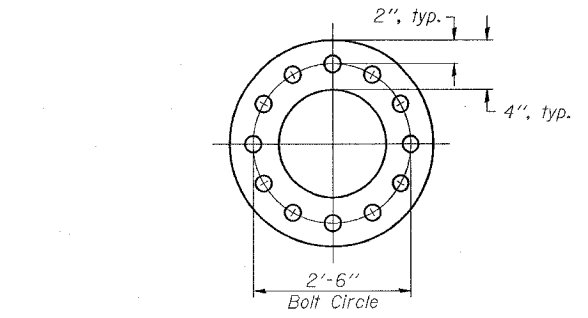
HANDHOLE COVER



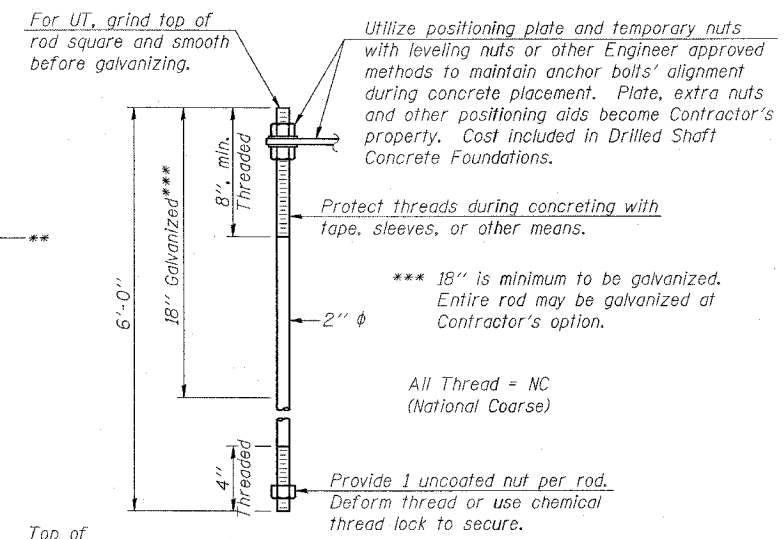
DETAIL A



SIDE ELEVATION



SUGGESTED POSITIONING PLATE



ANCHOR ROD DETAIL

* Bent bars may be butt welded top and bottom or bottom only. In lieu of fabricated handhole frame as shown, may cut from 2" plate (rolling direction vertical). All cut faces to be ground to ANSI Roughness of 500 min or less.

** Butt welded joint in post is only allowed for post heights (H) over 20 ft. in length. If used, weld procedure must be preapproved by Engineer and joint shall receive 100% RT or UT (tension criteria) at Contractor's expense.

Anchor rods shall conform to AASHTO M314 Grade 55 and meet Charpy V-Notch (CVN) energy of 15 lb.-ft. at 10° F. before galvanizing. Galvanize the upper 18" (minimum) and associated M291, Grade A, C or DH heavy hex nuts and hardened washers per AASHTO M232. No welding shall be permitted on rods. Provide an unfinished nut at bottom, a hexagon locknut and washer above base plate and a leveling nut and washer below base plate. Nuts shall each be tightened with 200 lb.-ft. minimum torque against base plate. Before or after threading, but before galvanizing, each anchor rod shall be ultrasonically tested (UT) by a Level II or III inspector, qualified in accord with ANSI guidelines, using a straight beam, 1/2" φ 3.5 mhz. transducer, to insure no rejectable flaws exist in the upper 18" (tension criteria). Cost of testing included in Drilled Shaft Concrete Foundations.

Structure Number	Station	H
BF0601055L022.0	1148+74	17.4
BF0601070L016.8	1032+00	17.465

Notes: "H" based on 15'-0" or actual sign height, whichever is greater.

NUMBER	REVISION	DATE

PLOT DATE = 11/01/2006
 FILE NAME = c:\projects\1107\electrical\top\drill\487.dgn
 PLOT SCALE = 1/8" = 1'-0"
 USER NAME = prestonne

BUTTERFLY SIGN STRUCTURES
TYPE III-F-A TRUSS SUPPORT POST FOR DMS
ALUMINUM TRUSS & STEEL POST

 FAI ROUTE 70/55
 DIST 8 ITS 2007-4a, 4b
 MADISON COUNTY