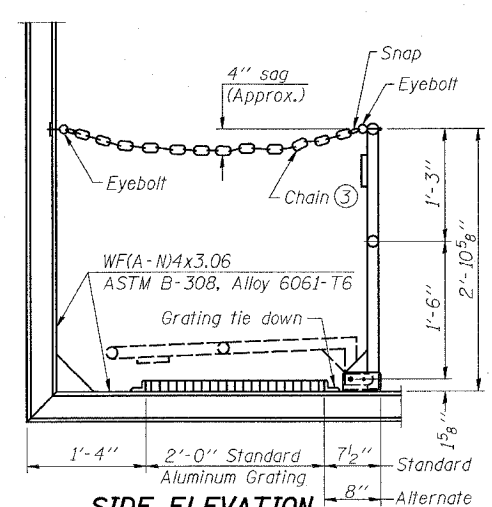
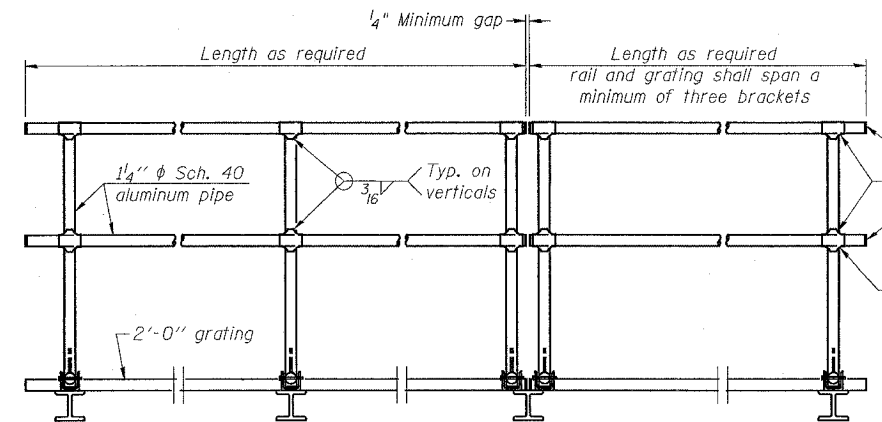


F.A.I. RTE.	SECTION	COUNTY	TOTAL SHEETS	SHEET NO.
55/70		MADISON	19	14

STA. _____ TO STA. _____
 FED. ROAD DIST. NO. _____ ILLINOIS FED. AID PROJECT
 *DIST. 8 ITS 2007-4a, 4b



SIDE ELEVATION
 (Showing Safety Chain W/O Sign)

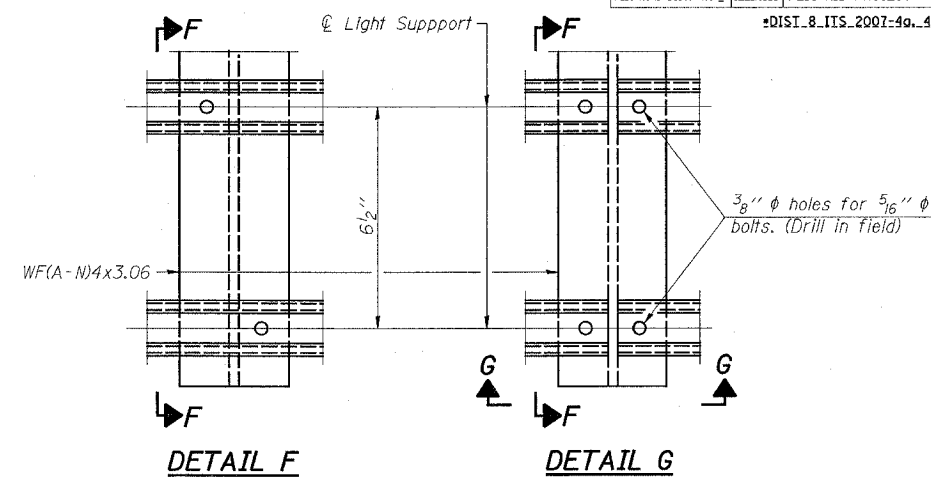


FRONT ELEVATION

HANDRAIL DETAILS

Handrail pipe shall be ASTM B241 or B429, Alloy 6063-T6 or Alloy 6061-T6.

- ① Install standard force-fit end caps or weld 1/8" end plates with 1/8" c.f.w. and grind smooth. (All rail ends)
- ② Horizontal handrail member shall be continuous thru fitting. Provide 1/16" hole in fitting for 3/8" bolt. Field drill 1/16" hole in horizontal rail member. Provide locknut and two stainless steel washers for bolt. (Use 5/16" eyebolts in 1/16" holes on top rail at ends only.)



DETAIL F

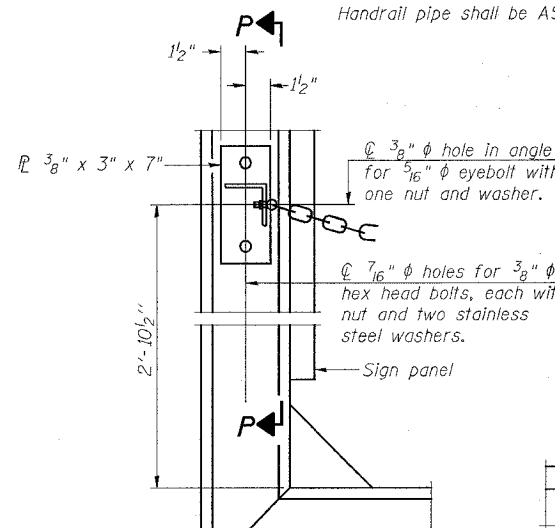
DETAIL G

SECTION F-F

SECTION G-G

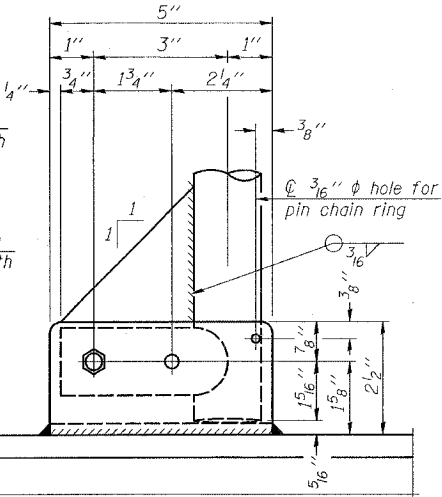
LIGHTING FIXTURE MOUNTS (IF REQUIRED)

- ⑤ Field cut ends of light support channels shall be free of burrs or hazardous projections and coated with zinc-rich primer or equivalent.

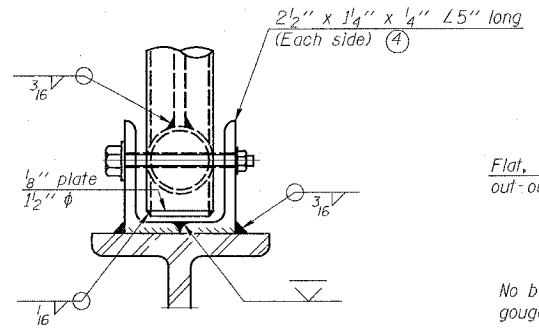


ALTERNATE SAFETY CHAIN ATTACHMENT

(With Sign Present)
 Items not shown same as "Side Elevation" of "Handrail Details"



SIDE ELEVATION

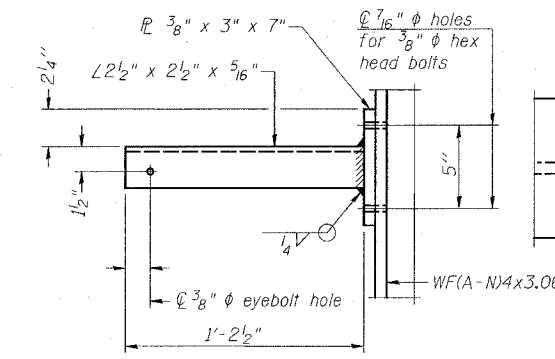


FRONT ELEVATION

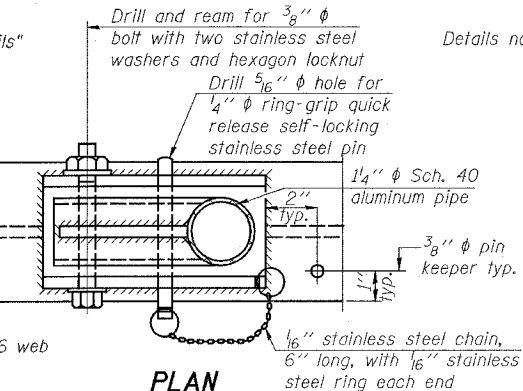
Details not shown same as "ELEVATION" at right.

ELEVATION AT HANDRAIL JOINT ④

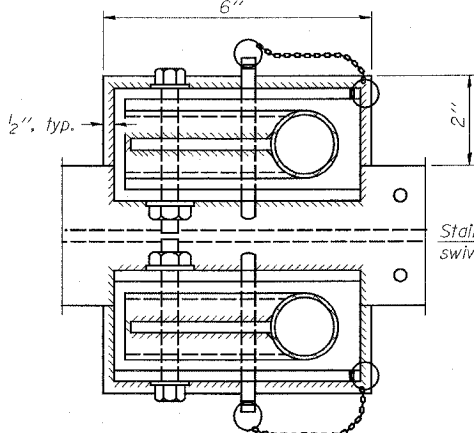
Details not shown same as "FRONT ELEVATION"



SECTION P-P

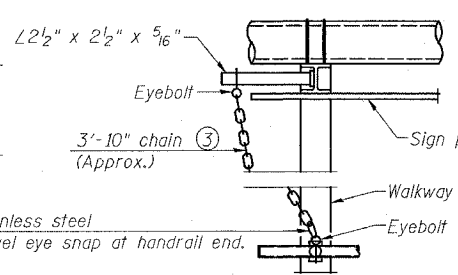


PLAN
DETAIL E HANDRAIL HINGE



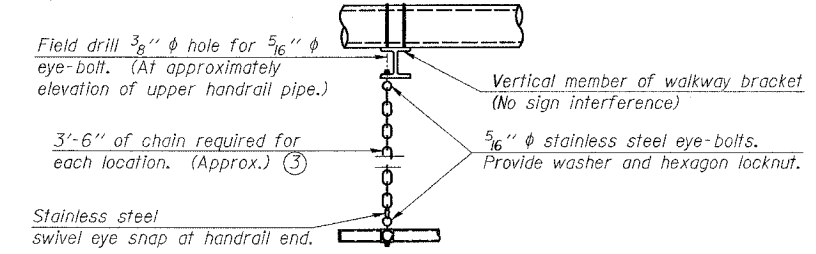
PLAN AT HANDRAIL JOINT

Details not shown same as "PLAN"



ALTERNATE SAFETY CHAIN ATTACHMENT

Details not shown similar to "Safety Chain" Details (Walkway omitted for clarity)



SAFETY CHAIN

One required for each end of each walkway.

**BUTTERFLY SIGN STRUCTURES
 HANDRAIL DETAILS
 ALUMINUM TRUSS & STEEL POST**

FAI ROUTE 70/55
 DIST 8 ITS 2007-4a, 4b
 MADISON COUNTY

NUMBER	REVISION	DATE

PLOT DATE = 5/9/2007
 FILE NAME = c:\projects\sub1487\electrical\sp1487.dgn
 PLOT SCALE = 49.9988 / IN.
 USER NAME = prestonne