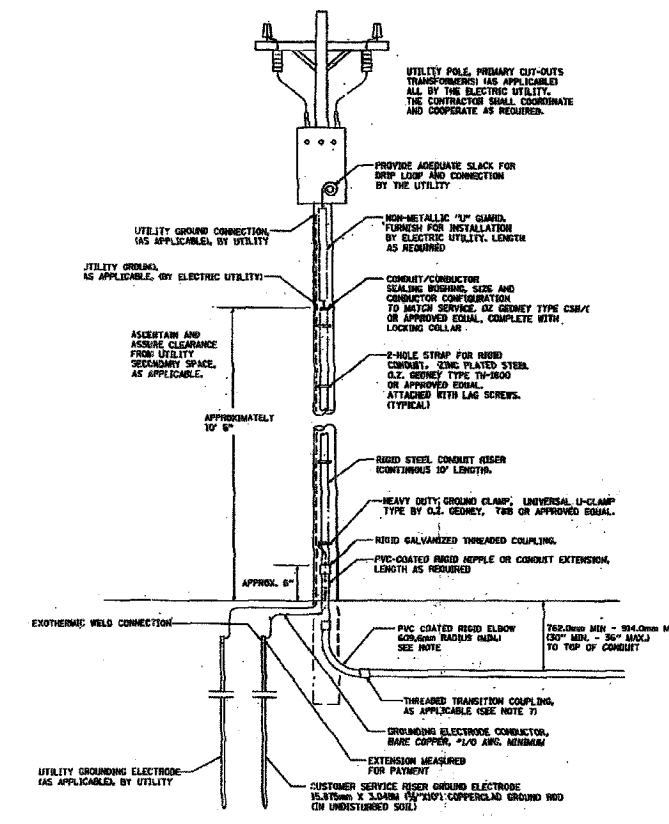
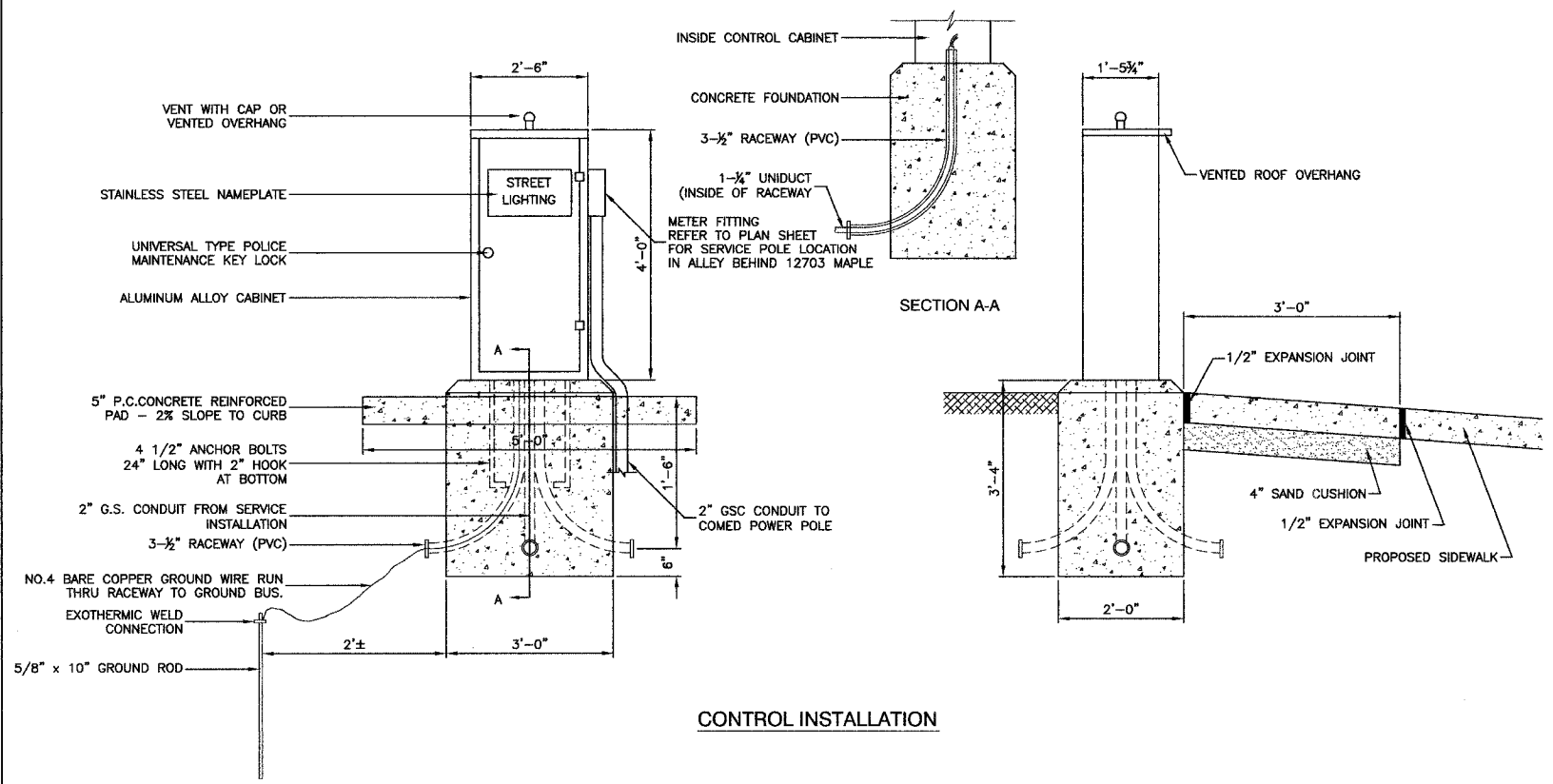


F.A.U. NO.	SECTION	COUNTY	TOTAL SHEETS	SHEET NO.
1583	02-00080-00-LT	COOK	10	8
FED. ROAD DIST. NO. 1	ILLINOIS	FED. AID PROJECT M-8003(540)		

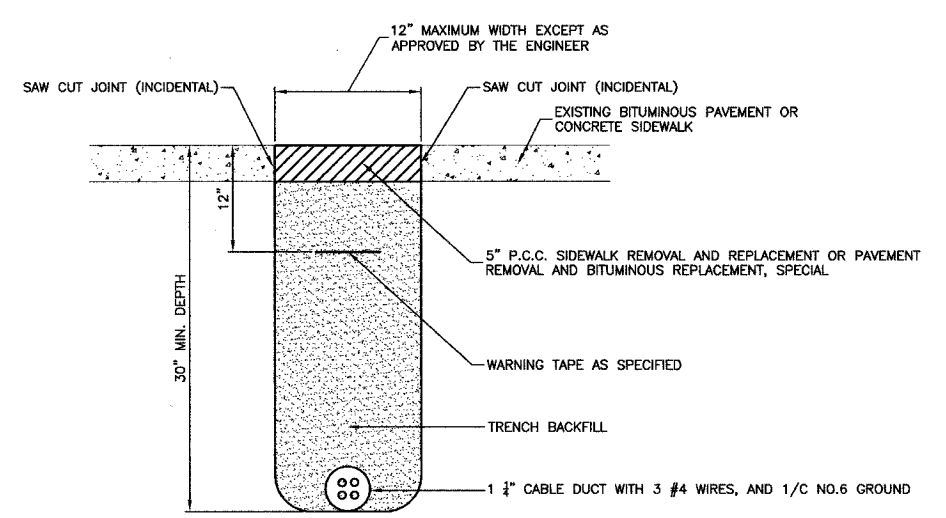
CONTRACT #83924

240/480 VOLT, 1Ø, 3 WIRE, 60HZ SERVICE
 9.82 KVA LOAD, CONTROLLER NO.1
 3.14 KVA LOAD, CONTROLLER NO.2

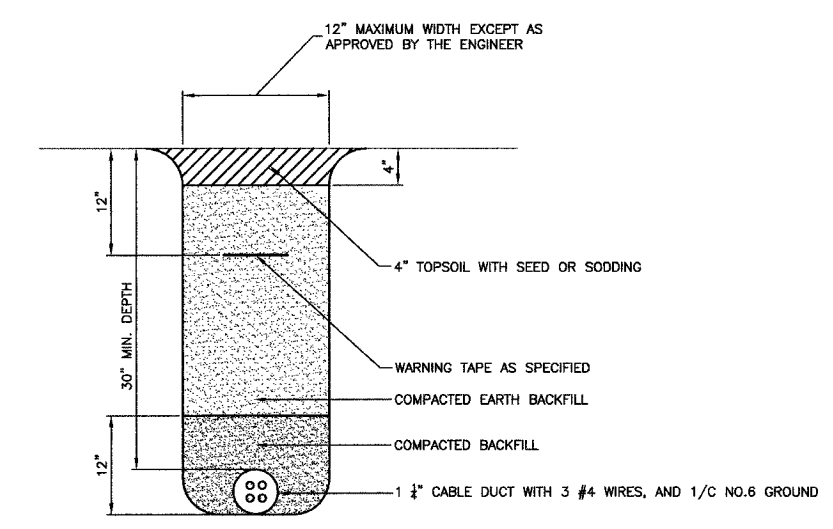


- NOTES:
- SERVICE VOLTAGE SHALL BE AS INDICATED ELSEWHERE IN THE DRAWINGS.
 - UNLESS OTHERWISE INDICATED, ITEMS AND WORK SHALL BE INCLUDED AND PAID AS PART OF ELECTRICAL UTILITY SERVICE INSTALLATION.
 - CONDUIT AND CONNECTOR DIAMETER SHALL MATCH THE DIAMETER OF THE SERVICE CONDUCTOR RACEWAY AS INDICATED.
 - PVC COATED RACEWAYS AND ACCESSORIES SHALL BE CAREFULLY INSTALLED WITH MP RECOMMENDED TOOLS AND PROCEDURES TO AVOID DAMAGE. ANY DAMAGE SHALL BE REPAIRED WITH COMPATIBLE PVC TOUCH-UP MATERIAL TO THE SATISFACTION OF THE ENGINEER OR THE DAMAGED MATERIAL SHALL BE REPLACED AT NO ADDITIONAL COST.
 - THE CONTRACTOR SHALL OBTAIN INSPECTION AND APPROVAL BY THE ENGINEER OF SERVICE RISER GROUND ELECTRODE, RISER ELBOW, NIPPLE AND CONNECTION TO SERVICE CONDUCTOR RACEWAY EXTENSION BEFORE BACKFILL AND SHALL ALSO OBTAIN INSPECTION OF SERVICE RISER AND SEALING BUSHING BEFORE UTILITY "U" GUARD INSTALLATION AND SERVICE CONNECTION.
 - THE SERVICE METER SOCKET, AS APPLICABLE, MOUNTED ELSEWHERE AS INDICATED SHALL BE INCLUDED AND PAID AS PART OF THE ELECTRICAL UTILITY SERVICE INSTALLATION PAY ITEM.
 - THE SERVICE CONDUCTOR RACEWAY SHALL BE AS INDICATED AND SHALL BE MEASURED SEPARATELY FOR PAYMENT. WHEN THE RACEWAY IS PVC-COATED RIGID GALVANIZED STEEL, THE COUPLING SHALL BE THE SAME. WHEN THE RACEWAY IS PVC CONDUIT OR CONCRETE, THE COUPLING SHALL BE A METALLIC TO NON METALLIC ADAPTER. WHEN THE RACEWAY IS ENCASED IN CONCRETE, THE CONCRETE SHALL EXTEND TO COVER THE COUPLING.
 - PLANS AND DETAILS INDICATE THE GENERAL NATURE AND REQUIREMENTS. THEY DO NOT SHOW EVERY ACCESSORY AND ATTACHMENT, AND THEY DO NOT RELIEVE THE CONTRACTOR OF THE REQUIREMENTS OF THE SPECIFICATIONS AND SPECIAL PROVISIONS TO ASCERTAIN UTILITY REQUIREMENTS AND TO COORDINATE ACCORDINGLY. FURNISH ALL TOOLS AND WORK NOT PROVIDED BY THE UTILITY, BUT NECESSARY FOR A COMPLETE SERVICE INSTALLATION.

SERVICE CONNECTION FOR ALL CONTROLLERS



BITUMINOUS PAVEMENT OR CONCRETE SIDEWALK REMOVAL AND REPLACEMENT



TRENCH DETAIL

REVISIONS	
NAME	DATE

MFT SECTION NO. 02-00080-00-LT

ILLINOIS DEPARTMENT OF TRANSPORTATION
 F.A.U. ROUTE 1583
 115TH STREET
 STREET LIGHTING
 DETAILS

SCALE: VERT. NONE
 HORIZ. NONE
 DATE 3-15-07
 DRAWN BY RG
 CHECKED BY PAP