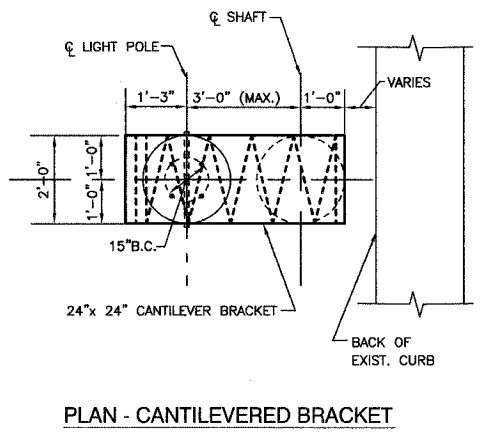
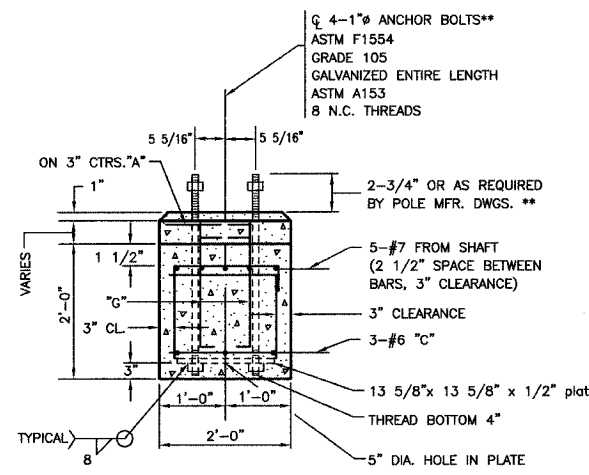
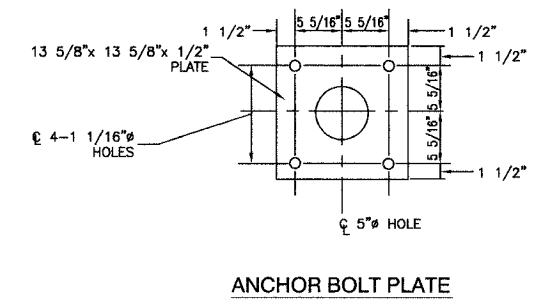
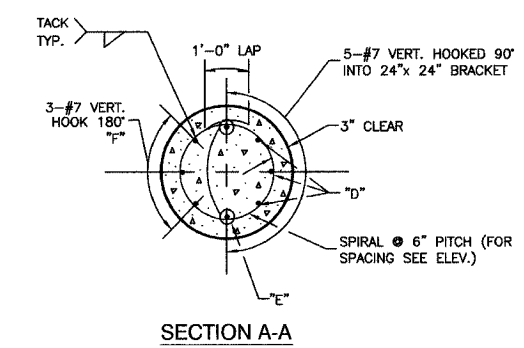


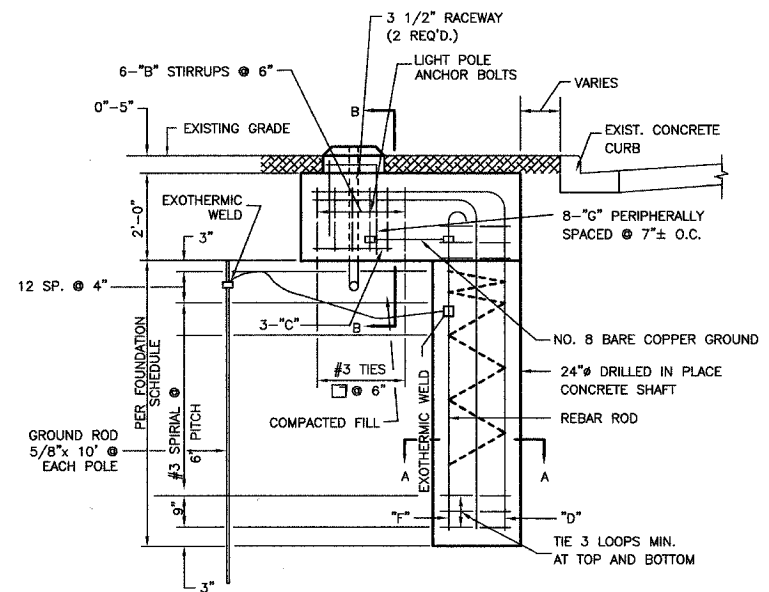
CONTRACT #83924



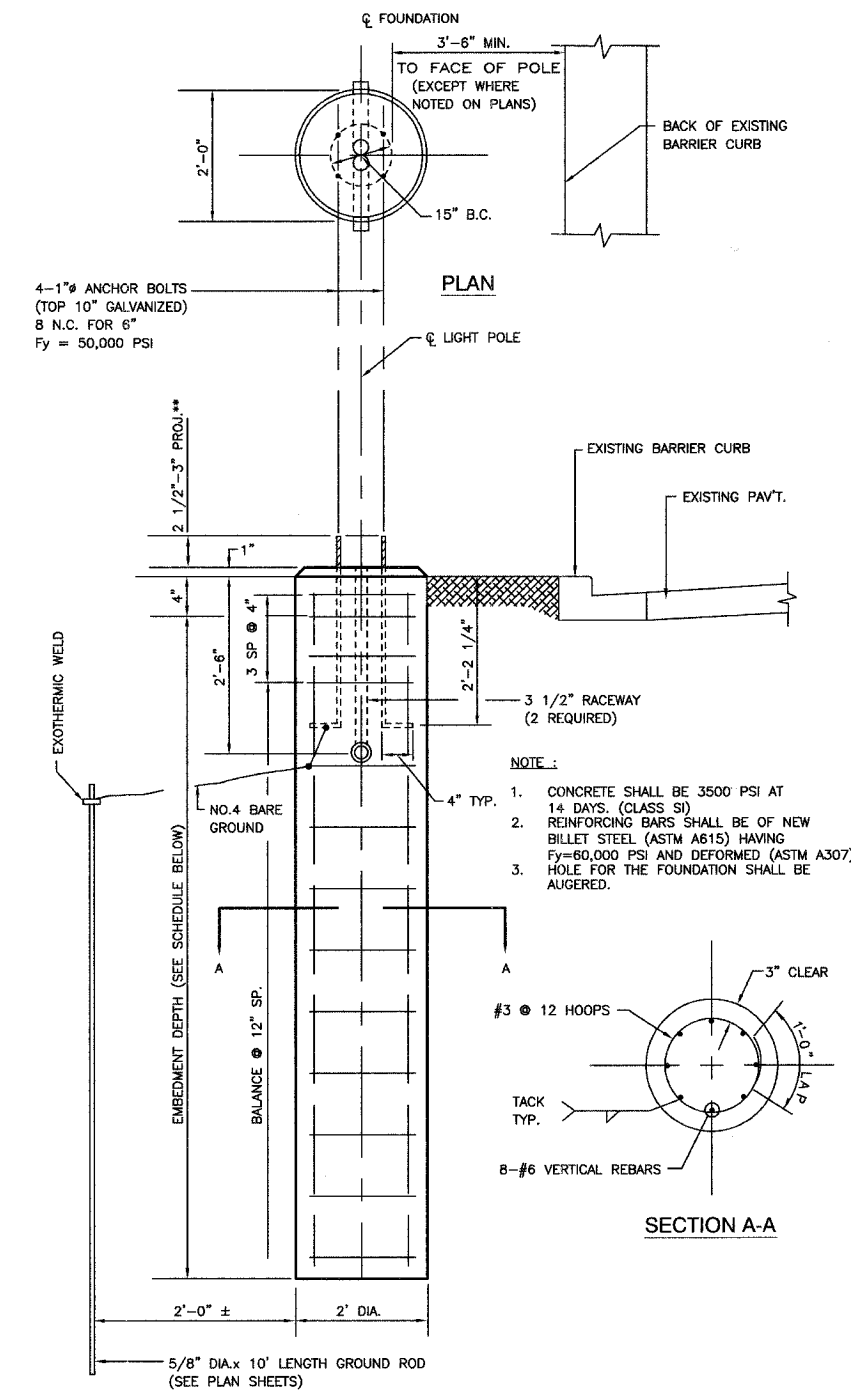
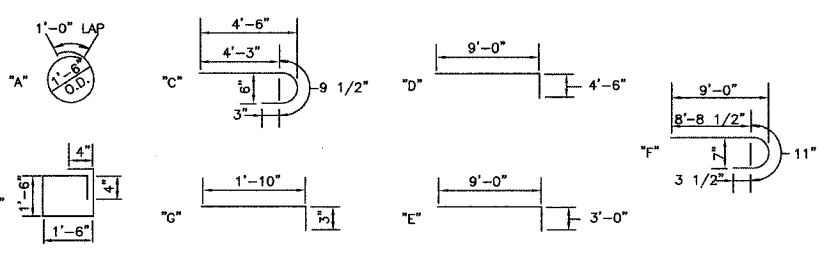
****NOTE:**
THE TOP OF THE ANCHOR BOLTS SHOULD NOT PROJECT MORE THAN 4" ABOVE A 60" CHORD ALIGNED RADIALLY TO THE CENTERLINE OF THE HIGHWAY AND CONNECTING ANY POINT WITHIN THE LENGTH OF THE CHORD, ON THE GROUND SURFACE ON ONE SIDE OF THE SUPPORT TO A POINT ON THE GROUND SURFACE ON THE OTHER SIDE.

- NOTE:**
1. CONCRETE SHALL BE 3500 PSI AT 14 DAYS. (CLASS SI)
 2. REINFORCING BARS SHALL BE OF NEW BILLET STEEL ASTM M42M (M42) AND DEFORMED
 3. HOLE FOR THE FOUNDATION (SHAFT) SHALL BE AUGERED
 4. POLE FOUNDATION, OFFSET FOR THIS APPLICATION IS EQUIVALENT TO 13.5 LIN.FT. PER FOUNDATION.
 5. THE CONTRACTOR SHALL USE A #3 SPIRAL AT 6" PITCH OR MAY SUBSTITUTE #3 TIES 12" O.C. WITH THE APPROVAL OF THE ENGINEER

BILL OF MATERIALS			
"LIGHT POLE FOUNDATION, 24" DIAMETER, OFFSET"			
QUAN.	MARK	SIZE	LENGTH SHAPE
11	A	NO.3	5'-9"
6	B	NO.3	6'-8"
3	C	NO.6	5'-31/2"
8	G	NO.6	2'-1"
3	D	NO.7	13'-6"
2	E	NO.7	12'-0"
3	F	NO.7	9'-11"
REINFORCING BARS		LBS.	285
CLASS X CONCRETE		CU.YDS.	1.7
ANCHOR BOLTS		NO.	4
ANCHOR BOLT PLATE NO.			1



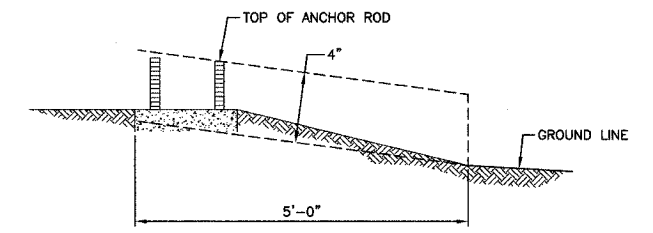
ELEVATION
POLE FOUNDATION, OFFSET - DETAILS



ELEVATION
LIGHT POLE FOUNDATION (TYPICAL)

TYPE OF SOILS		EMBEDMENT *(SEE NOTE ABOVE)			
DESCRIPTION	STANDARDS	MOUNTING HEIGHT			
		30 FT.	35 FT.	40 FT.	47.5 FT.
SOFT CLAY	Qu = .25-.50 T/FT. 2	9'-0"	9'-8"	10'-6"	14'-0"
MEDIUM CLAY	Qu = .50-1.0 T/FT. 2	6'-6"	7'-0"	7'-6"	10'-0"
DENSE CLAY	Qu = 1.0-2.0 T/FT. 2	5'-6"	6'-0"	6'-6"	8'-6"
LOOSE SAND	N = 4-10	7'-0"	7'-8"	8'-4"	11'-0"
MEDIUM SAND	N = 10-30	6'-0"	6'-6"	7'-3"	9'-6"
DENSE SAND	N = 30-50	5'-6"	6'-0"	6'-6"	8'-6"

****NOTE:**
ACTUAL FOUNDATION DEPTH IS EMBEDMENT DEPTH 7'-6" PLUS 6" EQUALS TOTAL DEPTH OF 8'-0".



****NOTE:**
THE FOUNDATION SHALL NOT PROTRUDE MORE THAN 100MM (4") ABOVE THE FINISHED GRADE WITHIN A 1.5M (60") CHORD ACROSS THE FOUNDATION, WITH ANCHOR RODS INCLUDED. IN ACCORDANCE WITH AASHTO GUIDELINES, IF THE FOUNDATION HEIGHT, INCLUDING ANCHOR RODS, EXTENDS BEYOND THESE SPECIFIED LIMITS, THE FOUNDATION SHALL BE REPLACED AT THE CONTRACTORS EXPENSE. SEE FOUNDATION EXTENSION DETAIL.

FOUNDATION EXTENSION DETAIL

- NOTE:**
1. CONCRETE SHALL BE 3500 PSI AT 14 DAYS. (CLASS SI)
 2. REINFORCING BARS SHALL BE OF NEW BILLET STEEL (ASTM A615) HAVING Fy=60,000 PSI AND DEFORMED (ASTM A307)
 3. HOLE FOR THE FOUNDATION SHALL BE AUGERED.



SECTION A-A

MFT SECTION NO. 02-00080-00-LT

ILLINOIS DEPARTMENT OF TRANSPORTATION
F.A.U. ROUTE 1583
115TH STREET
STREET LIGHTING
DETAILS

REVISIONS	
NAME	DATE
ROBINSON ENGINEERING	5-15-07

SCALE: VERT. NONE
HORIZ. NONE
DATE 3-15-07
DRAWN BY RG
CHECKED BY PAP