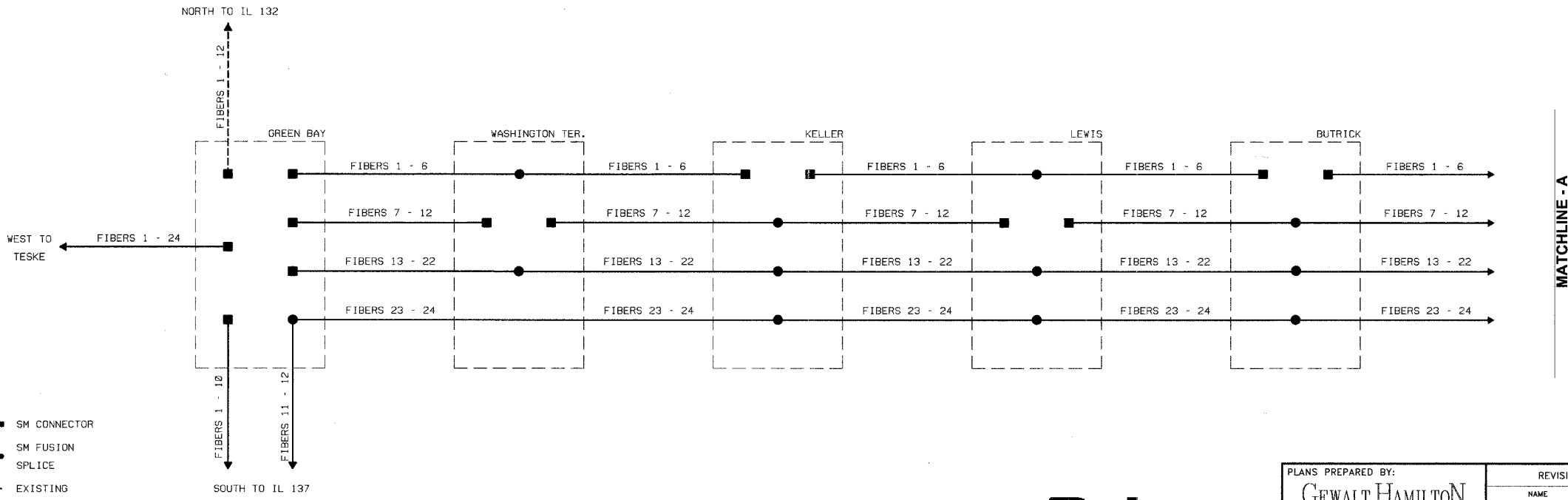
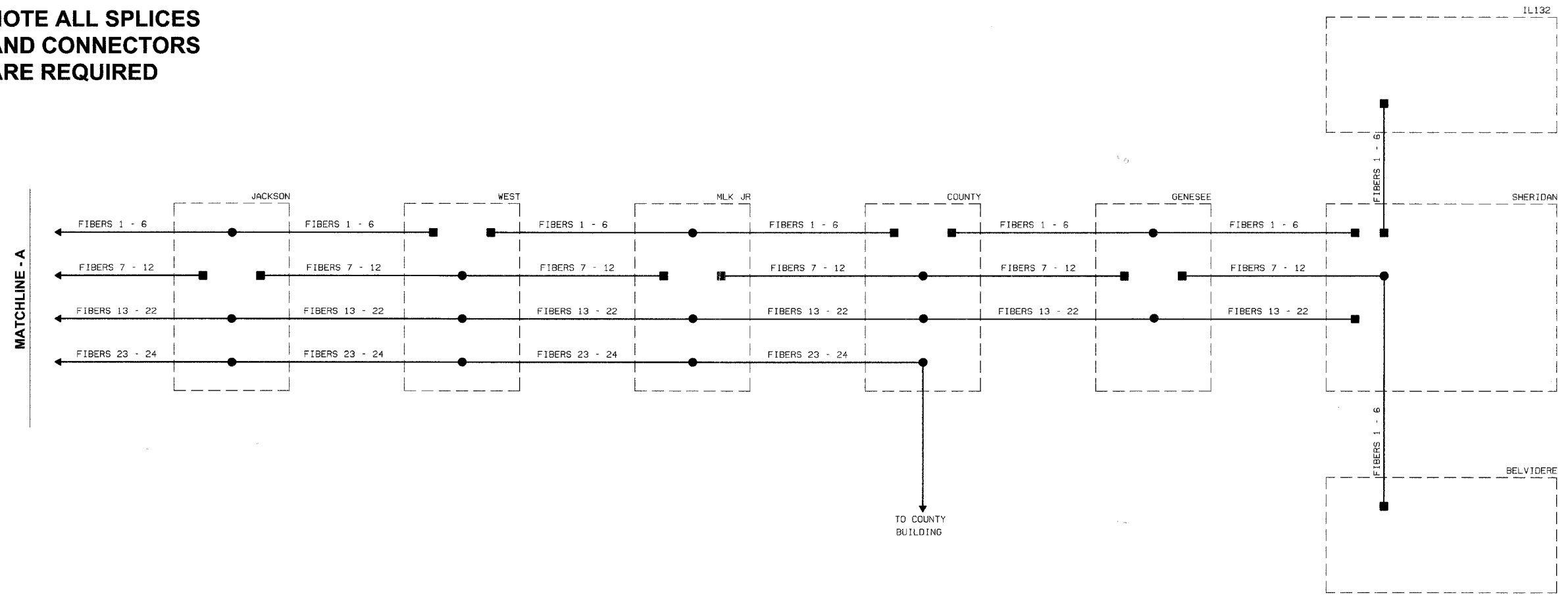


F.A.U. R.T.E.	SECTION	COUNTY	TOTAL SHEETS	SHEET NO.
1223	04-00272-00-TL	LAKE	72	61
VIDEO SYSTEM SCHEMATIC				
ILLINOIS				

NOTE ALL SPLICES AND CONNECTORS ARE REQUIRED



- SM CONNECTOR
- SM FUSION
- SPLICE
- - - - EXISTING



PLANS PREPARED BY:
GEWALT HAMILTON
 ASSOCIATES, INC.
 Consulting Engineers & Surveyors
 650 Forest Edge Drive
 Vernon Hills, IL 60061
 (847) 478-9700
 (847) 478-9708 Fax

REVISIONS	
NAME	DATE

LAKE COUNTY DIVISION OF TRANSPORTATION
VIDEO SYSTEM SCHEMATIC
 (SHEET 2 OF 2)
 WASHINGTON STREET FROM TESKE
 BOULEVARD TO SHERIDAN ROAD
 SCALE: NONE
 DATE: MAY 1, 2007
 DRAWN BY: PJS
 DESIGNED BY: JRD
 CHECKED BY: BLS