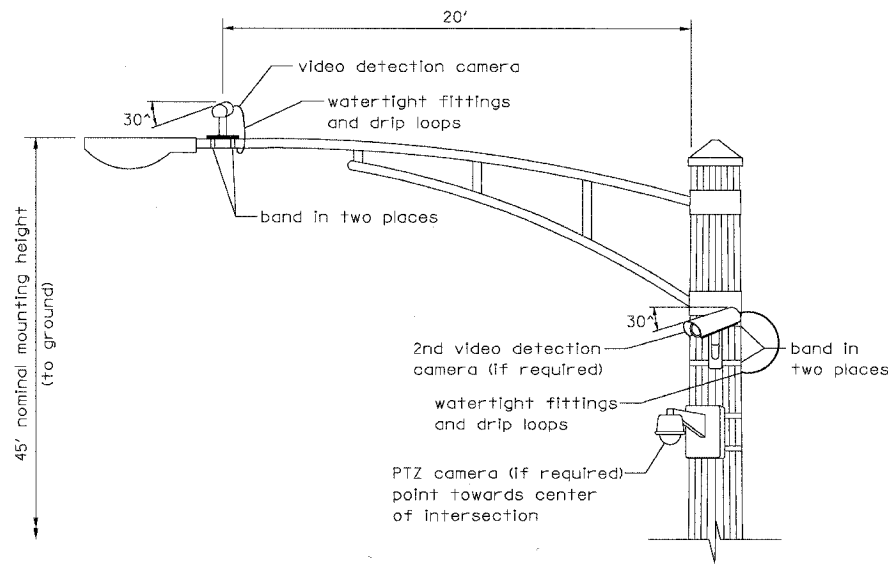
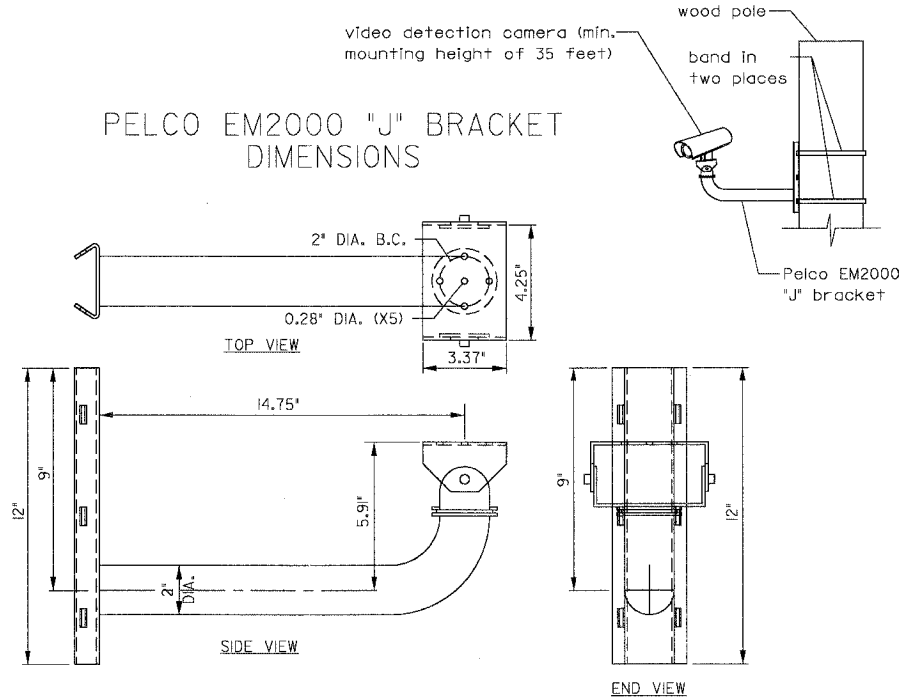


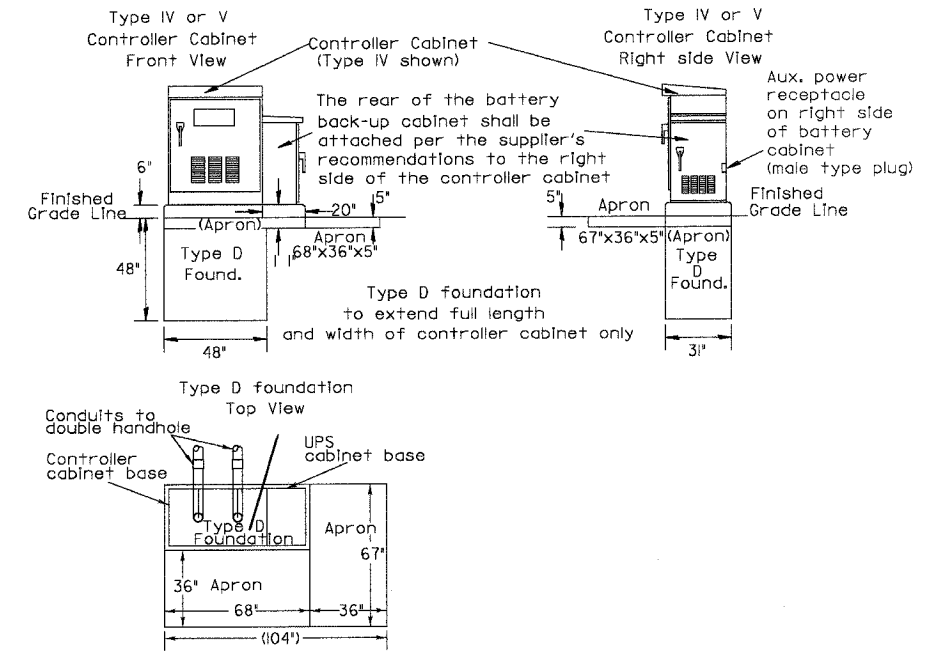
F.A.U. RTE.	SECTION	COUNTY	TOTAL SHEETS	SHEET NO.
1223	04-00272-00-TL	LAKE	72	63
LCCOT TS DESIGN DETAILS SHT 2 OF 2				
ILLINOIS				



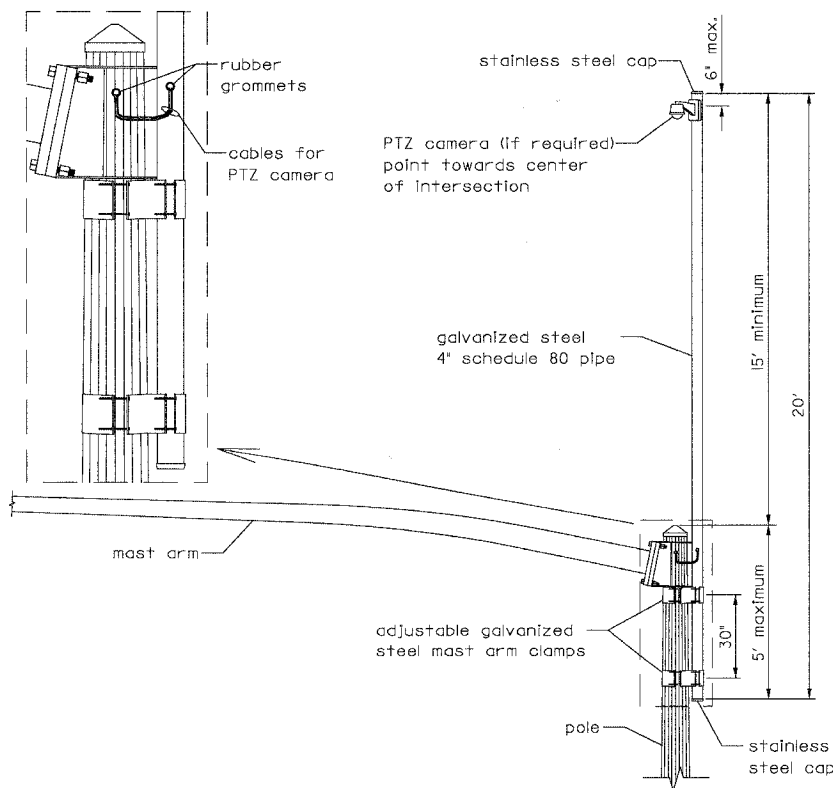
VIDEO DETECTION CAMERA(S) AND PTZ CAMERA MOUNTING DETAIL (NOT TO SCALE)



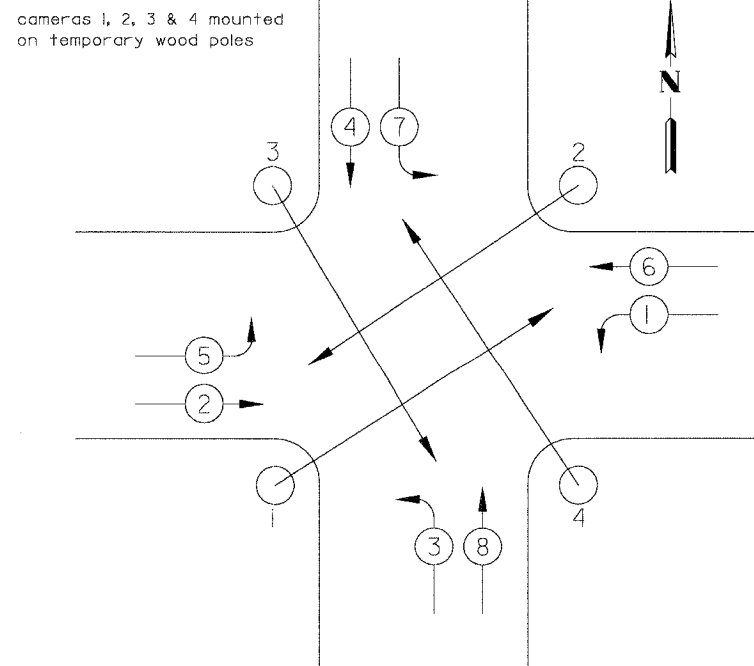
VIDEO DETECTION CAMERA MOUNTING DETAIL FOR TEMPORARY TRAFFIC SIGNALS (NOT TO SCALE)



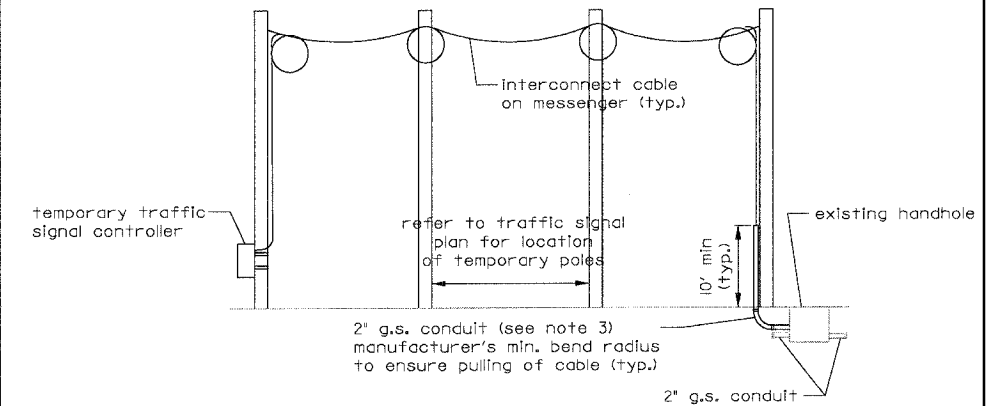
UNINTERRUPTIBLE POWER SUPPLY (UPS) CABINET INSTALLATION DETAIL (NOT TO SCALE)



CAMERA MOUNTING ASSEMBLY DETAIL FOR NON-COMBINATION MAST ARMS (NOT TO SCALE)



VIDEO DETECTION CAMERA ASSIGNMENT FOR TEMPORARY TRAFFIC SIGNALS (NOT TO SCALE)



- 1) Transfer of existing to temporary interconnect cable and temporary to proposed interconnect cable must be completed in one working day during non-peak hours or as directed by the Engineer.
- 2) The existing interconnect cable shall be removed after the proposed interconnect is turned on.
- 3) The 2" conduit used for the temporary interconnect cable shall be removed to below the ground level and capped at the time the temporary traffic signal is removed. The conduit shall be incidental to the cost of the Temporary Traffic Signal Installation.
- 4) The Contractor must notify the County Traffic Engineer a minimum of seven working days prior to the start of any work on the traffic signal interconnect system.

AERIALY SUPPORTED INTERCONNECT CABLE (NOT TO SCALE)

REVISIONS	
NAME	DATE
UPS SCHEMATIC REVISED	2/1/07

**Lake County**  
Division of Transportation

**STANDARD TRAFFIC SIGNAL DESIGN DETAILS SHEET 2 OF 2**

SCALE: N.T.S.      DESIGNED BY: JPS  
DATE: 05/20/05      CHECKED BY: ANK