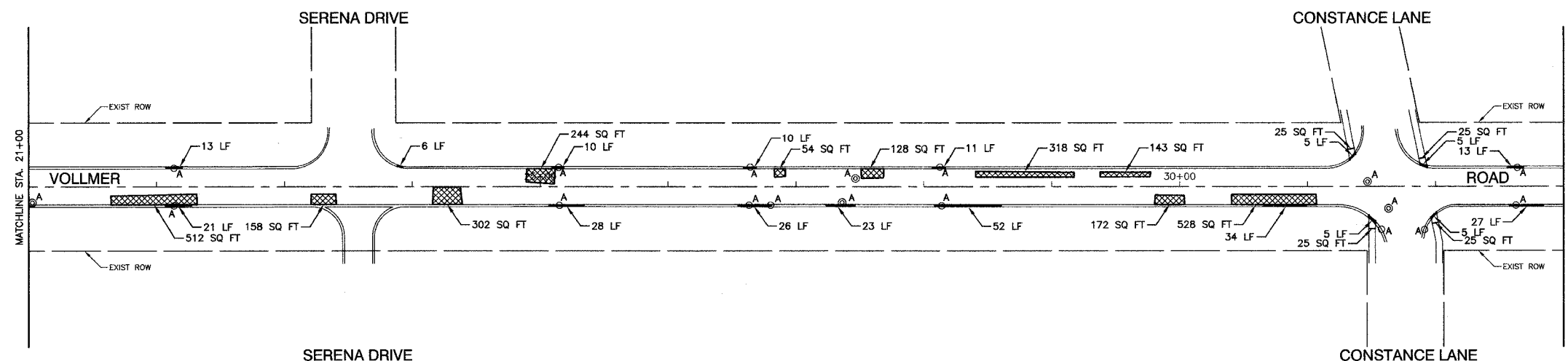
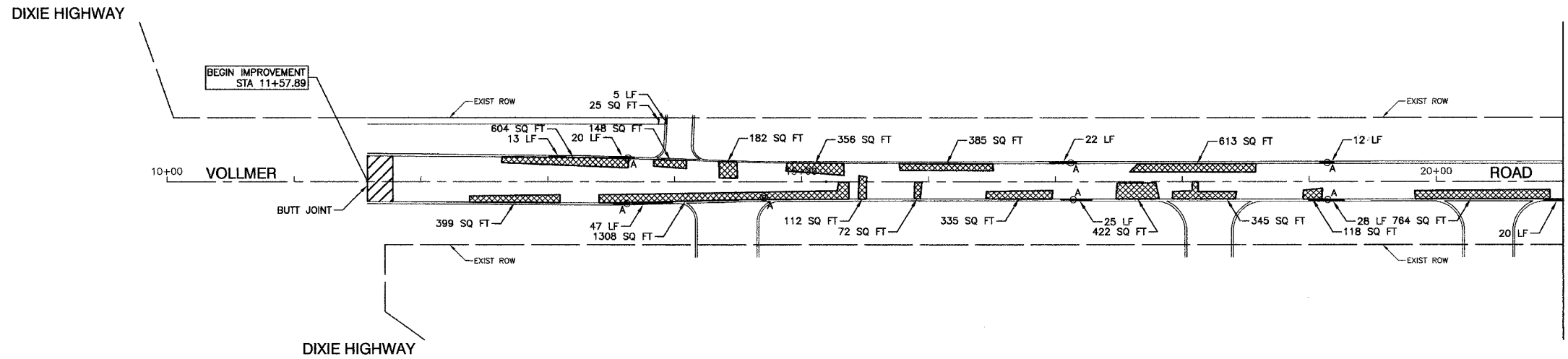


SECTION 8, TOWNSHIP 35, RANGE 14  
SECTION 17, TOWNSHIP 35, RANGE 14

F. A. U. NO.	SECTION	COUNTY	TOTAL SHEETS	SHEET NO.
1629	07-00220-00-RS	COOK	20	04
STA. 11+57.89		TO STA. 33+00		
FED. ROAD DIST. NO.	LINE NO.	FED. RD PROJECT		

CONTRACT #83934



**NOTE:**  
LIMIT OF CONSTRUCTION ON ALL SIDE STREETS IS THE RADIUS RETURN PLUS 10' BUTT JOINT

**LEGEND**

- BITUMINOUS PAVEMENT REPAIR
- CURB REMOVAL
- STRUCTURE TO BE ADJUSTED

REVISIONS	
NAME	DATE

ILLINOIS DEPARTMENT OF TRANSPORTATION

**VOLLMER ROAD  
STREET RESURFACING  
PLAN SHEET**

SCALE: VERT. NA  
HORIZ. 1"=50'  
DATE 02/09/07

DRAWN BY RG  
CHECKED BY JMN

**ROBINSON ENGINEERING, LTD.**  
1700 SOUTH PINE AVENUE, SOUTH HAVEN, ILLINOIS 62440  
(708) 381-8700 FAX (708) 381-3828  
ILLINOIS DESIGN FIRM REGISTRATION NO. 154051120

06171-PLAN-01