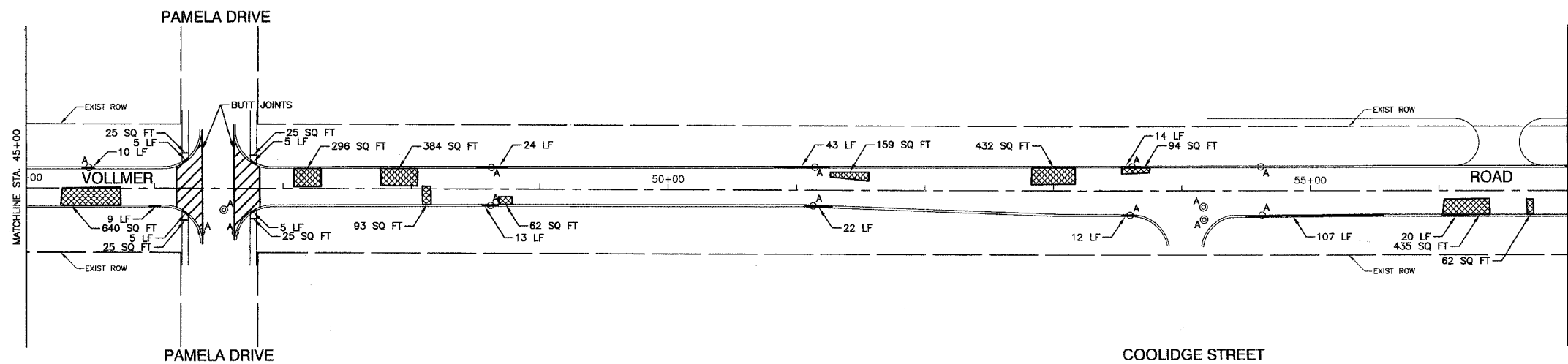
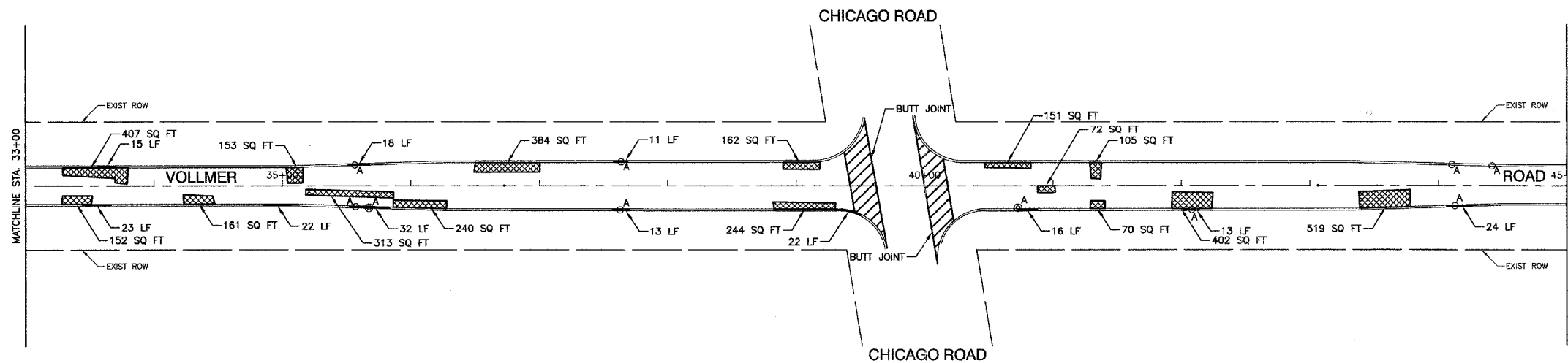


SECTION 8, TOWNSHIP 35, RANGE 14
SECTION 17, TOWNSHIP 35, RANGE 14

F. A. U. NO.	SECTION	COUNTY	TOTAL SHEETS	SHEET NO.
1629	07-00220-00-RS	COOK	20	05
STA. 33+00		TO STA. 57+00		
FED. ROAD DIST. NO.	BLK/MS	FID. NO. PROJECT		

CONTRACT #83934



NOTE:
LIMIT OF CONSTRUCTION ON ALL SIDE STREETS IS THE RADIUS RETURN PLUS 10' BUTT JOINT

LEGEND

- BITUMINOUS PAVEMENT REPAIR
- CURB REMOVAL
- STRUCTURE TO BE ADJUSTED

REVISIONS	
NAME	DATE

ILLINOIS DEPARTMENT OF TRANSPORTATION

**VOLLMER ROAD
STREET RESURFACING
PLAN SHEET**

SCALE: VERT. NA
HORIZ. 1"=50'
DATE 02/09/07

DRAWN BY RG
CHECKED BY JMN

ROBINSON ENGINEERING, LTD.
1100 SOUTH PARK AVENUE • SOUTH HAVEN, ILLINOIS 62424
(708) 381-8700 FAX (708) 381-9826
ILLINOIS DESIGN FIRM REGISTRATION NO. 154001100 08171-PLAN-01