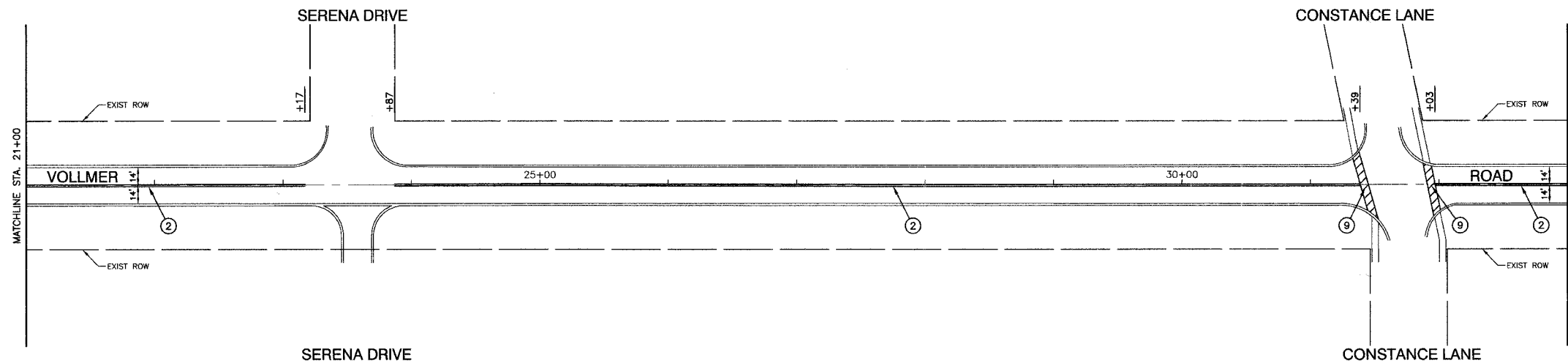
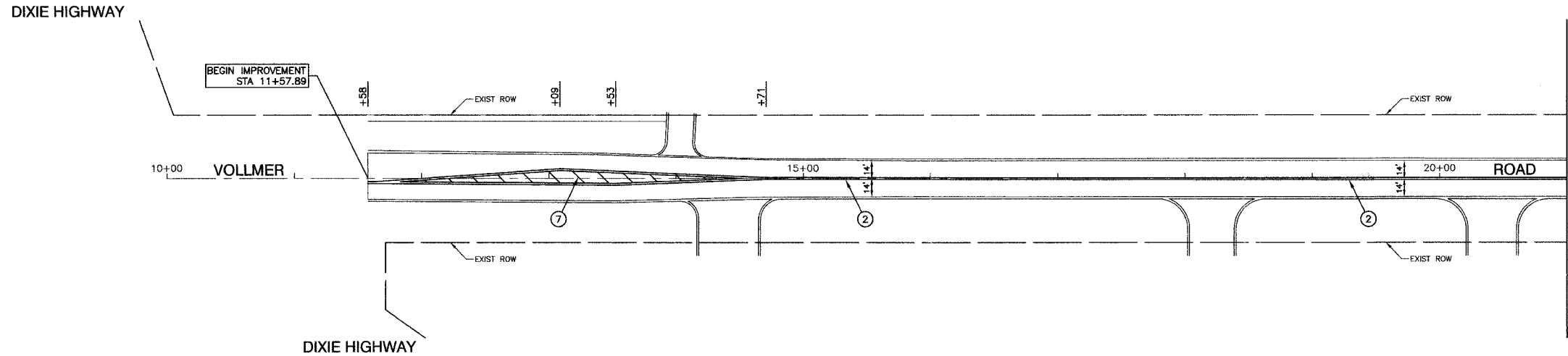


SECTION 8, TOWNSHIP 35, RANGE 14  
SECTION 17, TOWNSHIP 35, RANGE 14

F. A. U. NO.	SECTION	COUNTY	TOTAL SHEETS	SHEET NO.
1629	07-00220-00-RS	COOK	20	07
STA. 11+57.89		TO STA. 33+00		
FED. ROAD DIST. NO.	BLKMS	FED. RD PROJECT		

CONTRACT #83934



**NOTE:**  
ALL LEGEND ITEMS ARE THERMOPLASTIC PAVEMENT MARKING OF THE WIDTH AND TYPE SPECIFIED

**PAVEMENT MARKING LEGEND**

- ① WHITE LETTERS & SYMBOLS
- ② DOUBLE 4" YELLOW CENTERLINE (11" C/C)
- ③ DOUBLE YELLOW MEDIAN OUTLINE (11" C/C)
- ④ 4" YELLOW LINE
- ⑤ 4" WHITE EDGE LINE
- ⑥ 6" WHITE LANE LINE
- ⑦ 6" WHITE SKIP-DASH LINE (2' LINE - 6' SPACE)
- ⑧ 12" YELLOW DIAGONAL LINE (20' C/C)
- ⑨ 24" WHITE STOP BAR
- ⑩ 6" WHITE CROSSWALK (6' C/C)
- ⑪ 6" WHITE CROSSWALK (10' C/C)
- ⑫ 12" WHITE LINE (45° ANGLE, 20' C/C)
- ⑬ 4" WHITE SKIP - DASH LINE (10' LINE - 30' SPACE)
- ⑭ 4" YELLOW SKIP - DASH LINE (10' LINE - 30' SPACE)
- ◀ ONE-WAY AMBER MARKER  
40' C/C UNLESS OTHERWISE INDICATED
- ◀ ONE-WAY CRYSTAL MARKER  
80' C/C UNLESS OTHERWISE INDICATED
- ◀ TWO-WAY AMBER MARKER  
40' C/C UNLESS OTHERWISE INDICATED
- ◀ TRAFFIC SIGN

REVISIONS	
NAME	DATE

ILLINOIS DEPARTMENT OF TRANSPORTATION

**VOLLMER ROAD  
STREET RESURFACING  
PAVEMENT MARKINGS**

SCALE: VERT. NA  
HORIZ. 1"=50'  
DATE 02/09/07  
DRAWN BY RG  
CHECKED BY JMN