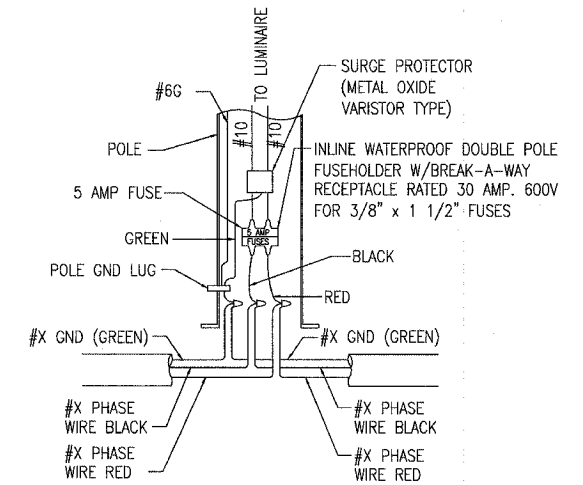
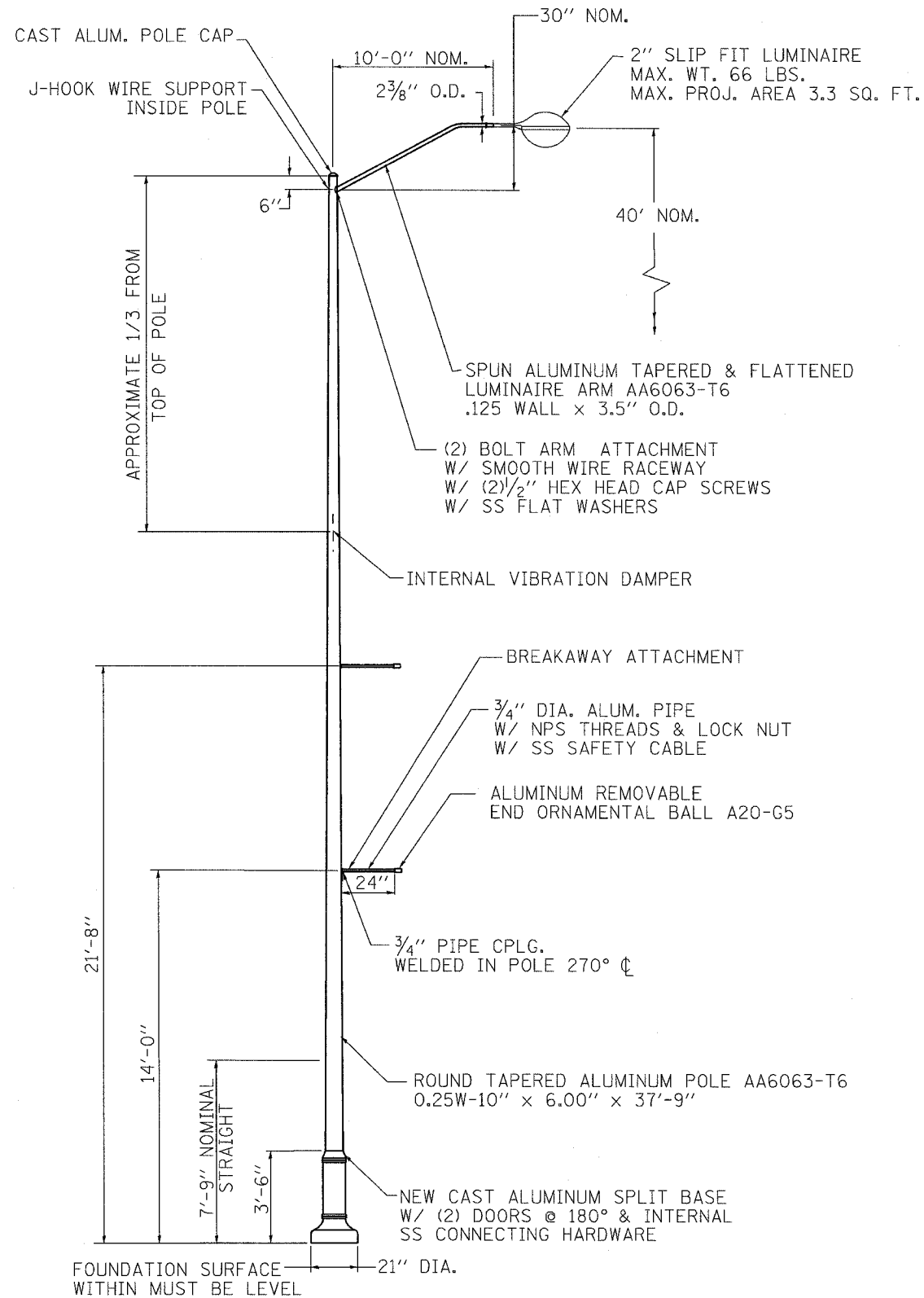
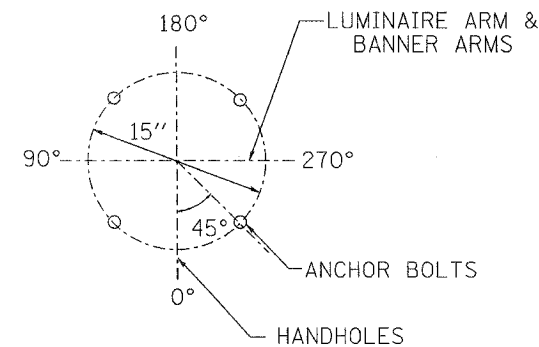


| F.A.P. RTE. | SECTION | COUNTY | TOTAL SHEETS | SHEET NO. |
|---------------------|----------------|---------------------------|--------------|-----------|
| 525 | 06-00520-01-LT | WINNEBAGO | 41 | 33 |
| STA. | | TO STA. | | |
| FED. ROAD DIST. NO. | | ILLINOIS FED. AID PROJECT | | |

LIGHTING UNIT, ALUMINUM, COMPLETE, 40' MOUNTING HEIGHT, SINGLE LUMINAIRE ARM (SPECIAL)



POLE BASE WIRING DETAIL



TOP VIEW ORIENTATION

NOTES:

- 1) WELDED ASS'Y HEAT TREATED TO T6 TEMPER
- 2) COLOR SHALL MATCH LUMEC CN8-TX, OR APPROVED EQUAL
- 3) DESIGNED IN ACCORDANCE WITH 2001 AASHTO STANDARD SPECIFICATIONS WITH 2002 & 2003 "INTERIM REVISIONS FOR STRUCTURAL SUPPORTS FOR HIGHWAY SIGNS, LUMINAIRES, AND TRAFFIC SIGNALS". THE DESIGN PARAMETERS INCLUDE:
90 MPH WIND ZONE
50 YEAR STRUCTURE DESIGN LIFE
- 4) THIS ITEM SHALL INCLUDE LUMINAIRE WIRING WITH NO. 10 (XLP,TYPE USE) CABLE
- 5) FUSE HOLDER ASSEMBLIES AND SURGE ARRESTOR INCLUDED IN THIS ITEM