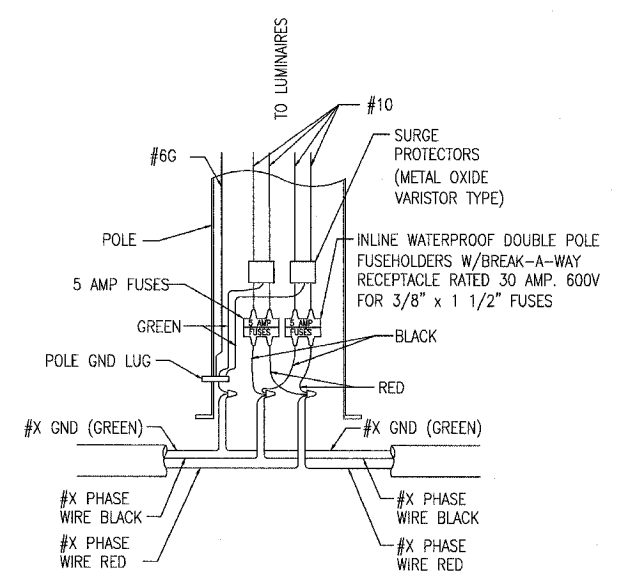
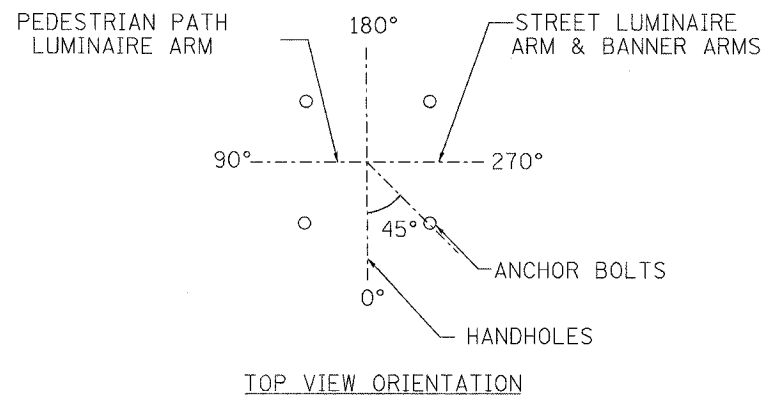
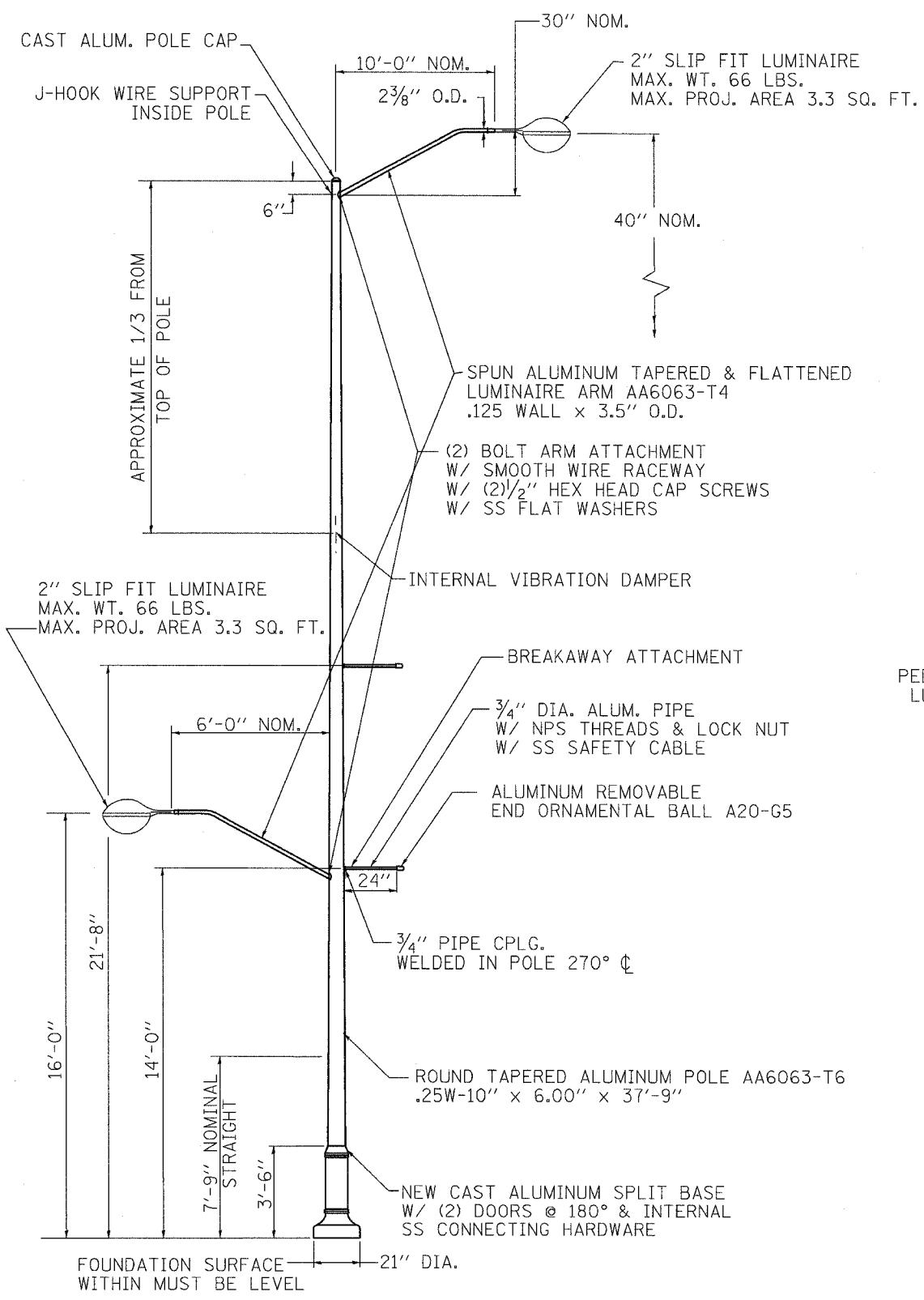


F.A.P. RTE.	SECTION	COUNTY	TOTAL SHEETS	SHEET NO.
525	06-00520-01-LT	WINNEBAGO	41	34
STA.		TO STA.		
FED. ROAD DIST. NO.		ILLINOIS FED. AID PROJECT		

### LIGHTING UNIT, ALUMINUM, COMPLETE, 40' AND 16' MOUNTING HEIGHTS, DUAL LUMINAIRE ARMS (SPECIAL)



- NOTES:**
- 1) WELDED ASS'Y HEAT TREATED TO T6 TEMPER
  - 2) COLOR SHALL MATCH LUMEC CN8-TX, OR APPROVED EQUAL
  - 3) DESIGNED IN ACCORDANCE WITH 2001 AASHTO STANDARD SPECIFICATIONS WITH 2002 & 2003 "INTERIM REVISIONS FOR STRUCTURAL SUPPORTS FOR HIGHWAY SIGNS, LUMINAIRES, AND TRAFFIC SIGNALS". THE DESIGN PARAMETERS INCLUDE:  
90 MPH WIND ZONE  
50 YEAR STRUCTURE DESIGN LIFE
  - 4) THIS ITEM SHALL INCLUDE LUMINAIRE WIRING WITH NO. 10 (XLP,TYPE USE) CABLE
  - 5) FUSE HOLDER ASSEMBLIES AND SURGE ARRESTORS INCLUDED IN THIS ITEM