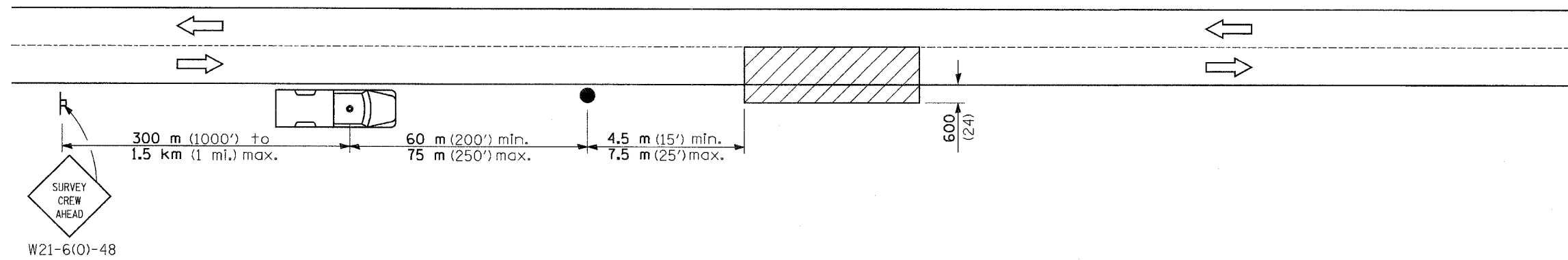
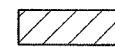


RTE.	SECTION	COUNTY	TOTAL SHEETS	SHEET NO.
525	06-00520-01-LT	WINNEBAGO	41	39
STA.		TO STA.		
FED. ROAD DIST. NO.	ILLINOIS	FED. AID PROJECT		



SYMBOLS



Work area



Sign on portable or permanent support



Truck with flashing amber light and dual emergency flashers



Flagger with traffic control sign

TYPICAL APPLICATIONS

Utility operations

All dimensions are in millimeters (inches) unless otherwise shown.

DATE	REVISIONS

DETAIL FOR  
NIGHTTIME LIGHTING  
INSPECTION