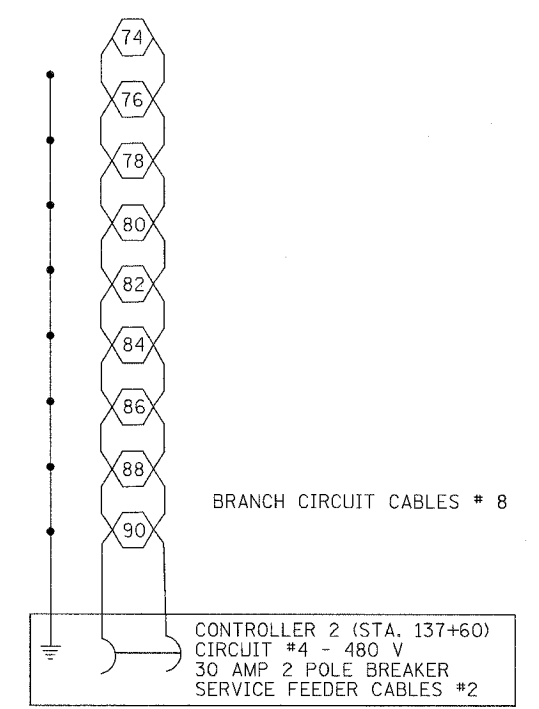
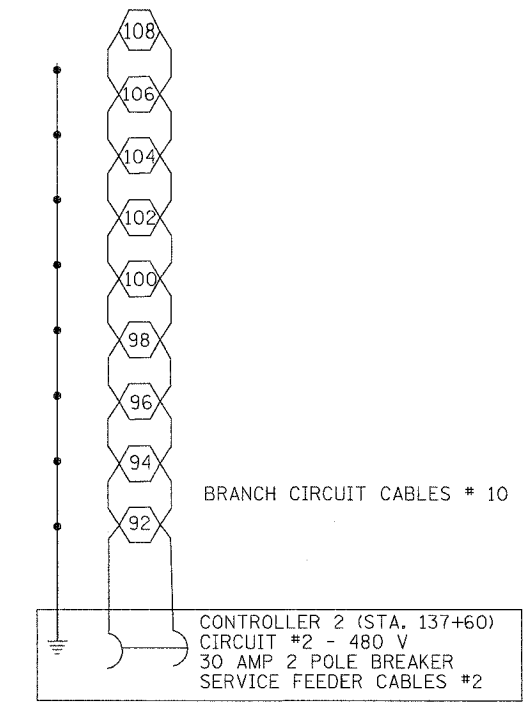
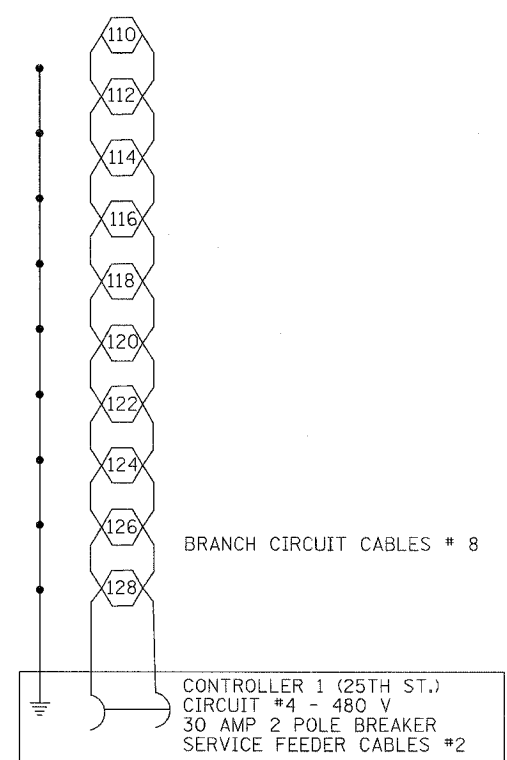
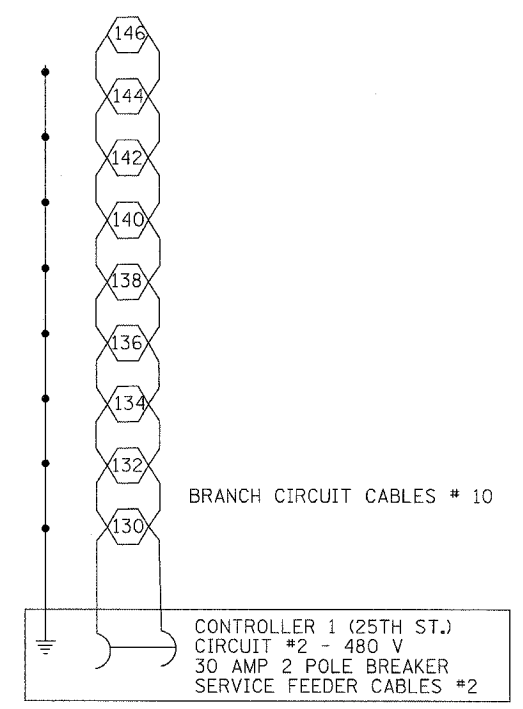
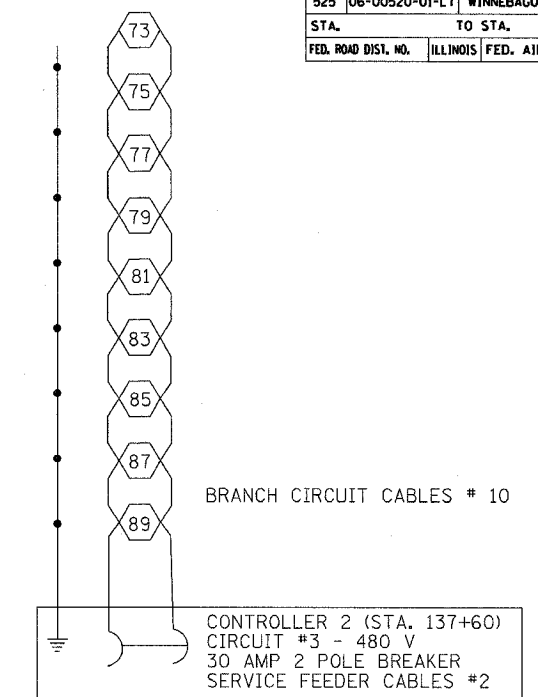
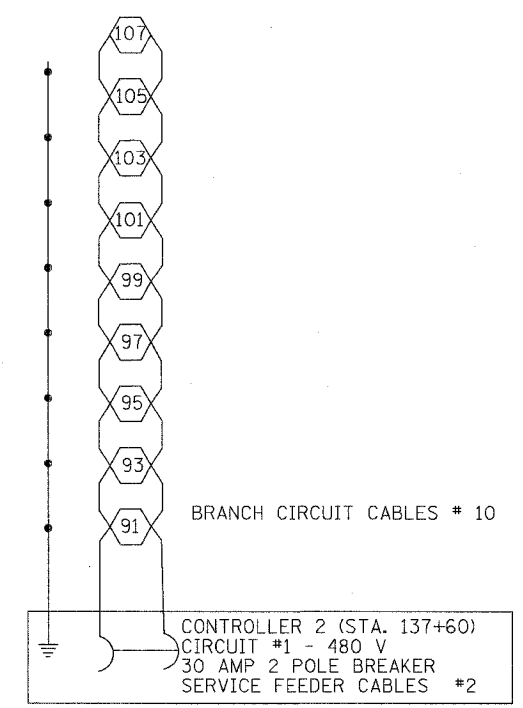
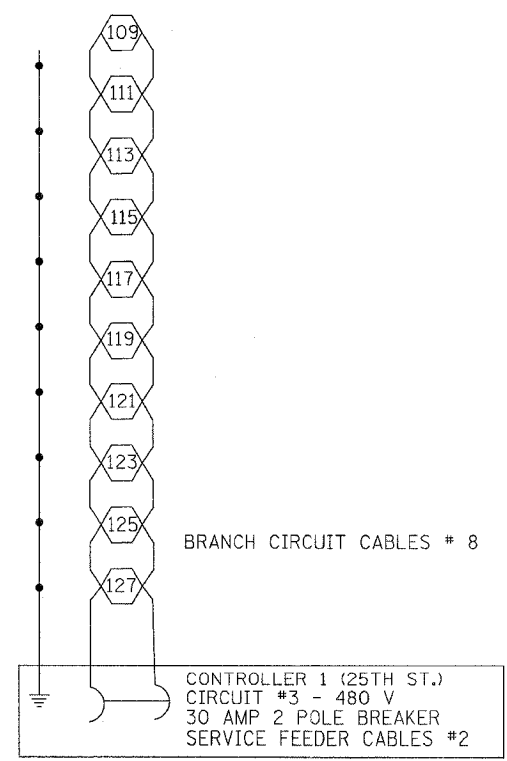
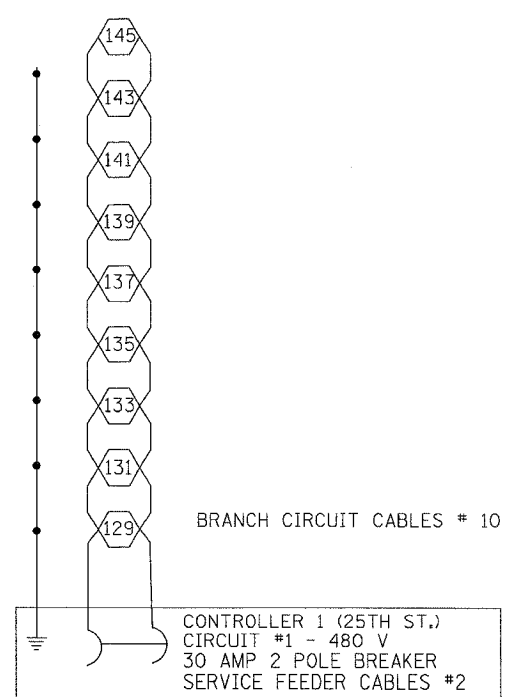


F.A. RTE.	SECTION	COUNTY	TOTAL SHEETS	SHEET NO.
525	06-00520-01-LT	WINNEBAGO	41	40
STA.		TO STA.		
FED. ROAD DIST. NO.		ILLINOIS FED. AID PROJECT		



REVISIONS	
NAME	DATE

ILLINOIS DEPARTMENT OF TRANSPORTATION

**CIRCUIT DIAGRAMS**

SCALE: VERT. DATE  
HORIZ. DRAWN BY  
CHECKED BY