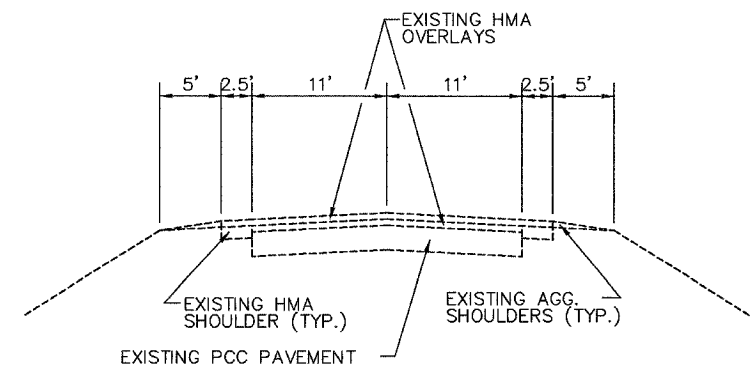
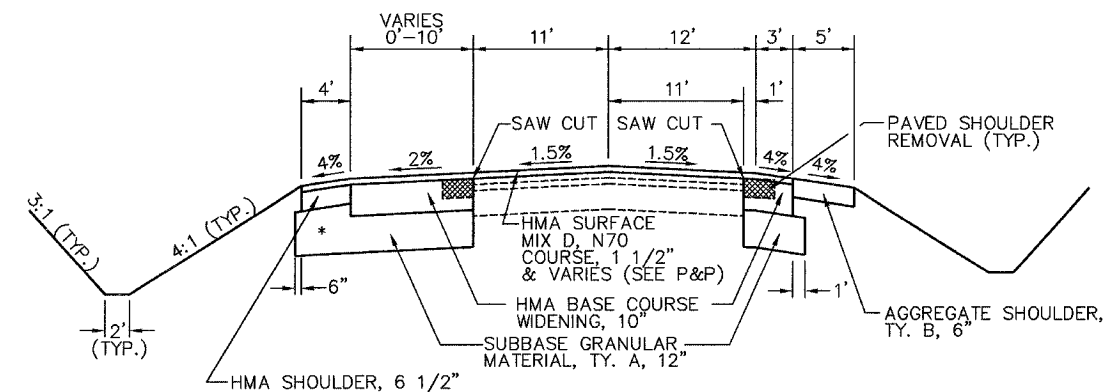


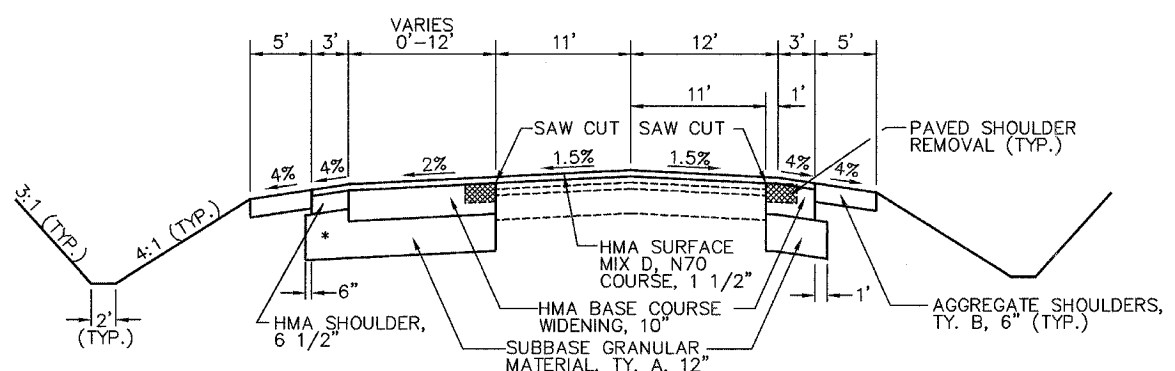
F.A.P. RTE.	SECTION	COUNTY	TOTAL SHEETS	SHEET NO.
591	D6-00034-00-RP	KENDALL	37	7
STA. TO STA.		ILLINOIS FED. AID PROJECT		



**EXISTING TYPICAL SECTION - US 34**

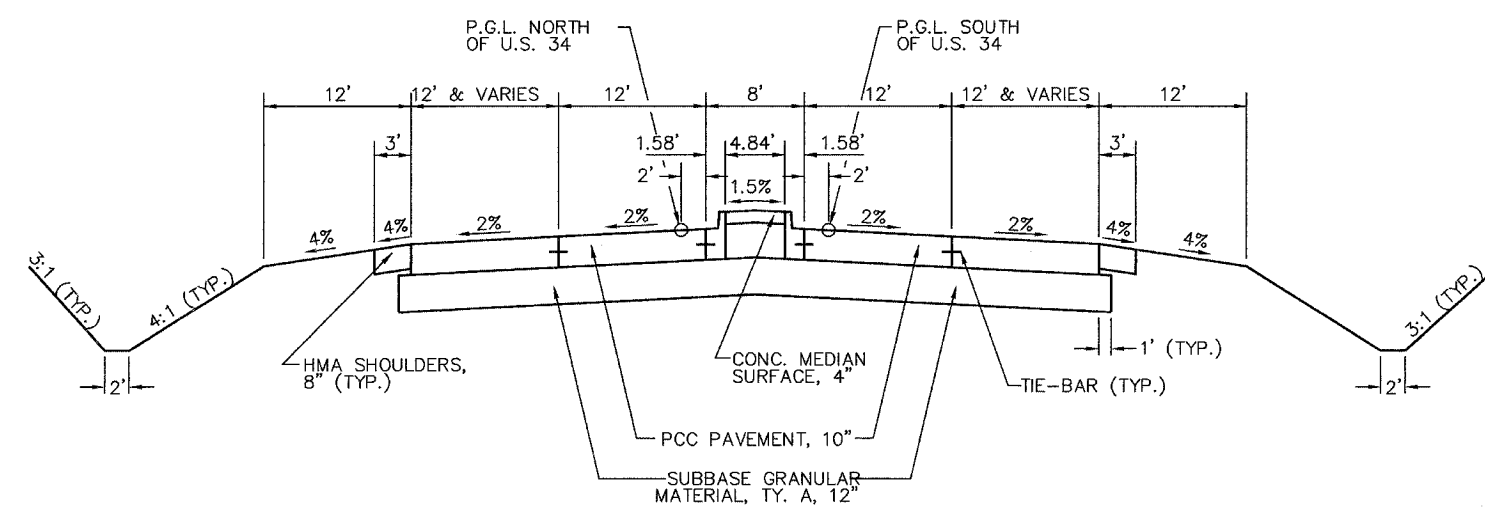


**3 PROPOSED TYPICAL - US 34 EAST OF INTERSECTION**

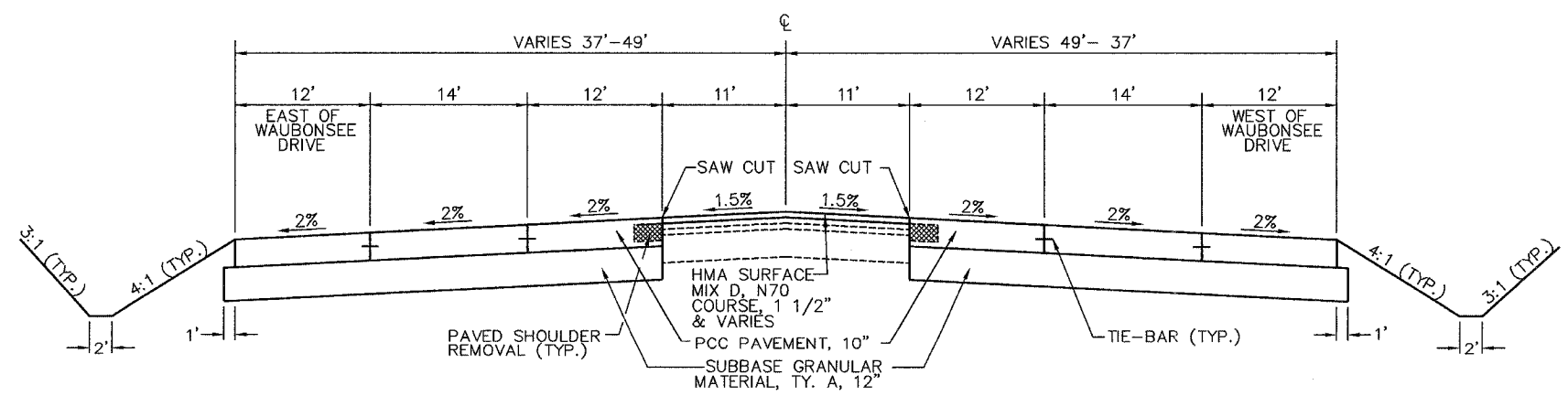


**1 PROPOSED TYPICAL - US 34 WEST OF INTERSECTION**

\* NOTE ADDITIONAL AGGREGATE THICKNESS REQUIRED UNDER HMA SHOULDERS WILL BE INCLUDED IN THE COST OF SUBBASE GRANULAR MATERIAL, TYPE A, 12"



**4 PROPOSED TYPICAL - WAUBONSEE DRIVE**



**2 PROPOSED TYPICAL - U.S. 34 @ INTERSECTION**  
(SEE SHEETS 27 & 28 FOR ADDITIONAL DETAILS)

REVISIONS	
NAME	DATE

ILLINOIS DEPARTMENT OF TRANSPORTATION  
 TYPICAL SECTIONS  
 FAP 591 (US 34)  
 AND WAUBONSEE DRIVE  
 SECTION 06-00034-00-RP  
 KENDALL COUNTY

SCALE: VERT. \_\_\_\_\_  
 HORIZ. \_\_\_\_\_  
 DATE: 02/07

DRAWN BY: NOE/NV  
 CHECKED BY: DJD

PLOT DATE = #DATE#  
 FILE NAME = #FILE#  
 PLOT SCALE = #SCALE#  
 USER NAME = #USER#