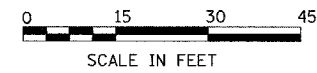
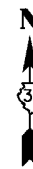
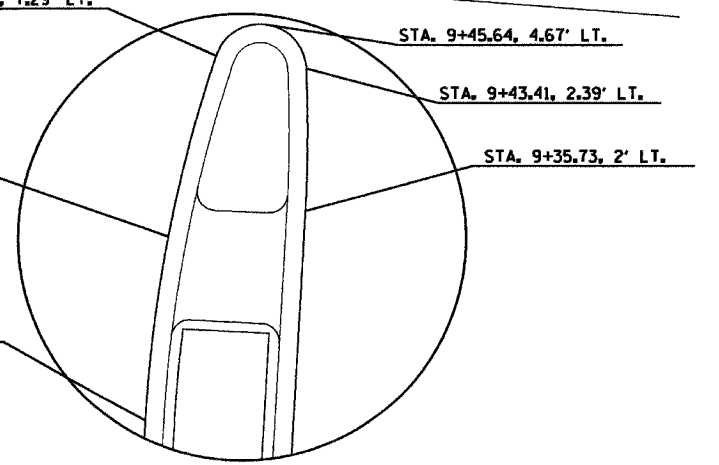
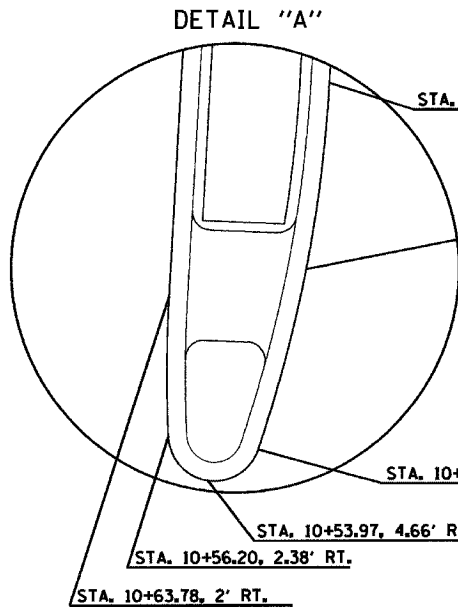
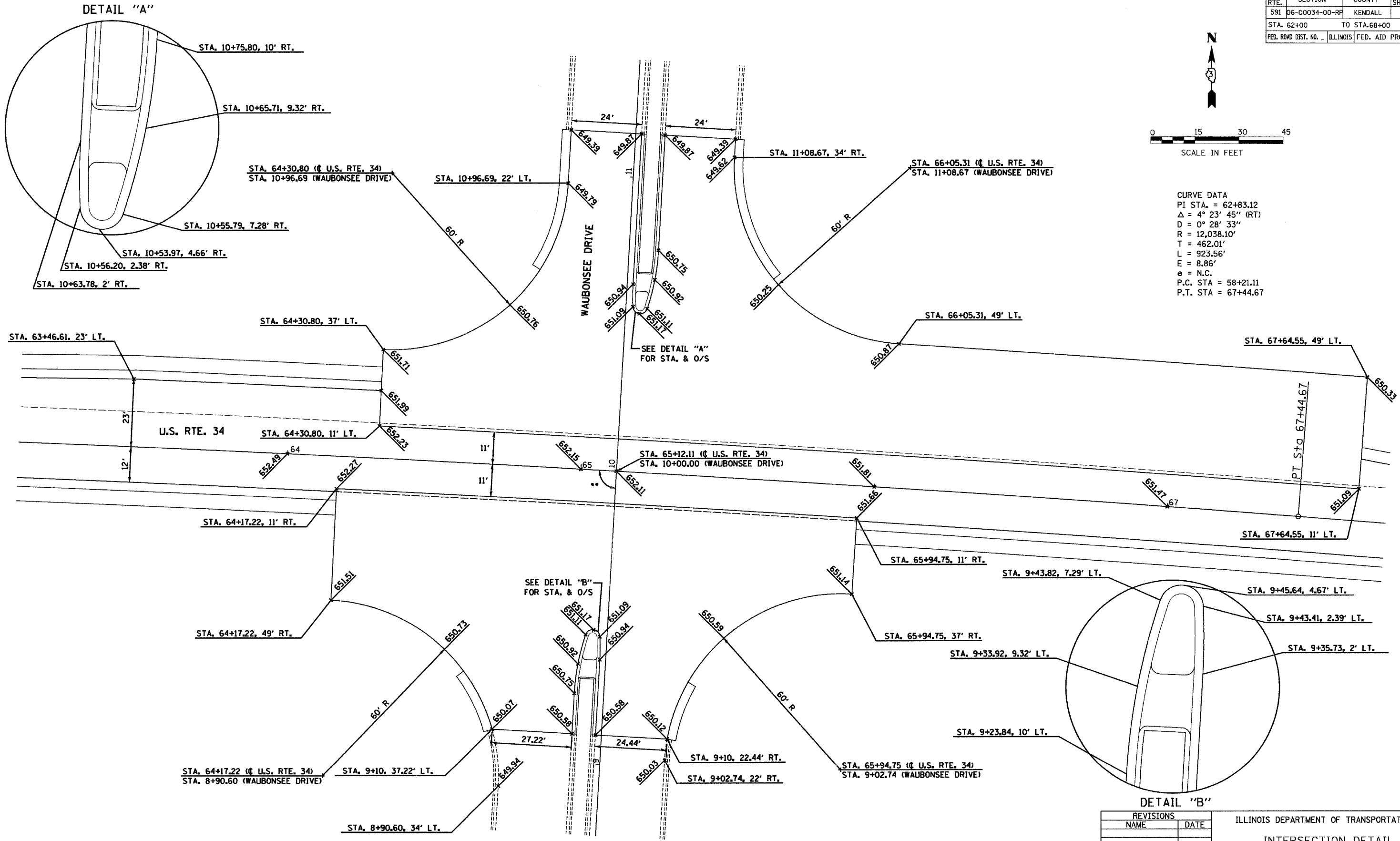


F.A.P. RTE.	SECTION	COUNTY	TOTAL SHEETS	SHEET NO.
591	06-00034-00-RP	KENDALL	37	27
STA. 62+00		TO STA. 68+00		
FED. ROAD DIST. NO. _ ILLINOIS		FED. AID PROJECT		



CURVE DATA
 PI STA. = 62+83.12
 $\Delta = 4^\circ 23' 45''$ (RT)
 $D = 0^\circ 28' 33''$
 $R = 12,038.10'$
 $T = 462.01'$
 $L = 923.56'$
 $e = 8.86'$
 $e = N.C.$
 P.C. STA = 58+21.11
 P.T. STA = 67+44.67



REVISIONS	
NAME	DATE

ILLINOIS DEPARTMENT OF TRANSPORTATION
 INTERSECTION DETAIL
 FAP 591 (US 34)
 AND WAUBONSEE DRIVE
 SECTION 06-00034-00-RP
 KENDALL COUNTY
 SCALE: VERT. _____
 HORIZ. _____
 DATE: 02/07
 DRAWN BY: NOE/NV
 CHECKED BY: DJD

PLOT DATE = #DATE#
 FILE NAME = #FILE#
 PLOT SCALE = #SCALE#
 USER NAME = #USER#

•• 90° TO LOCAL TANGENT