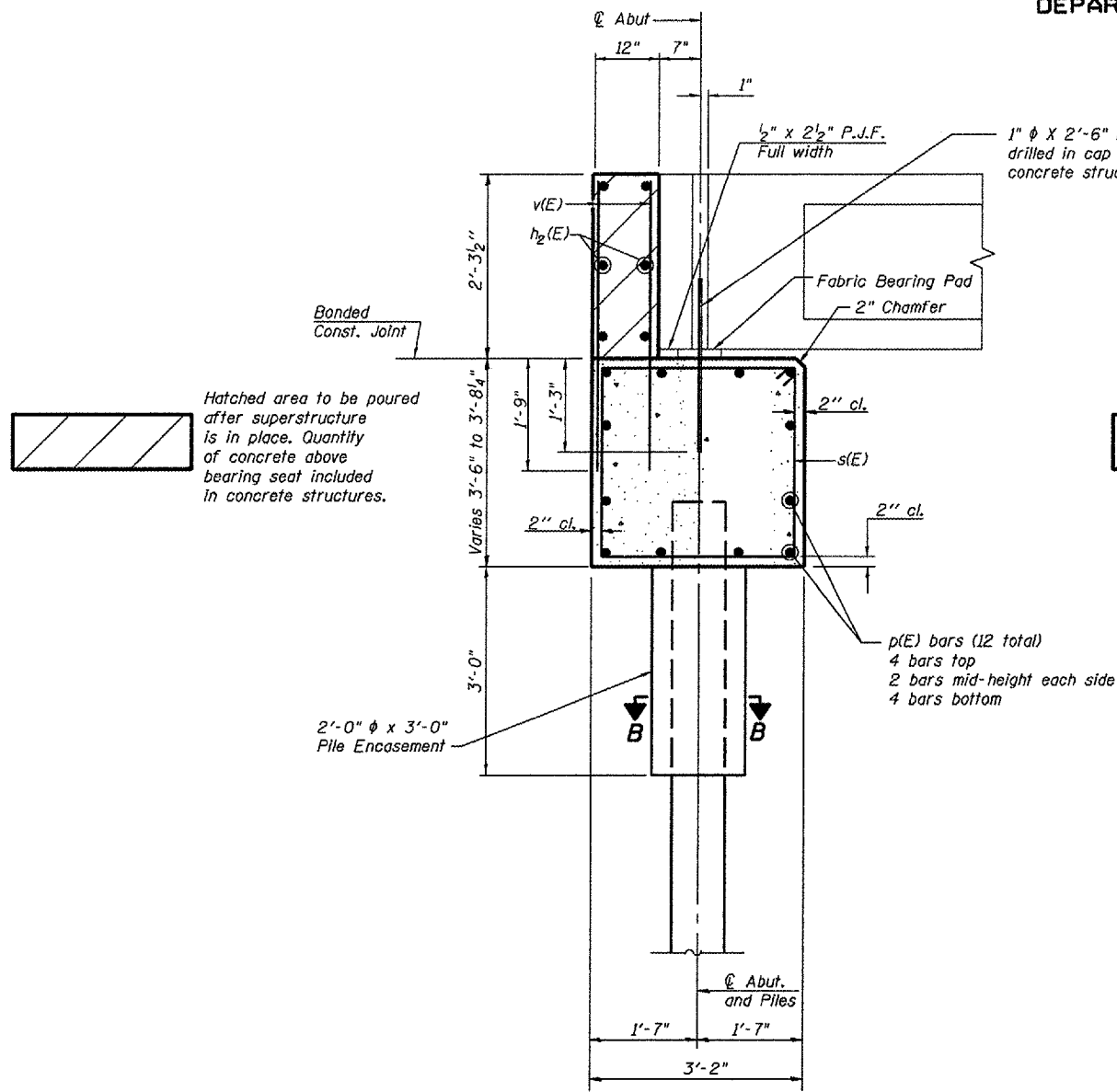
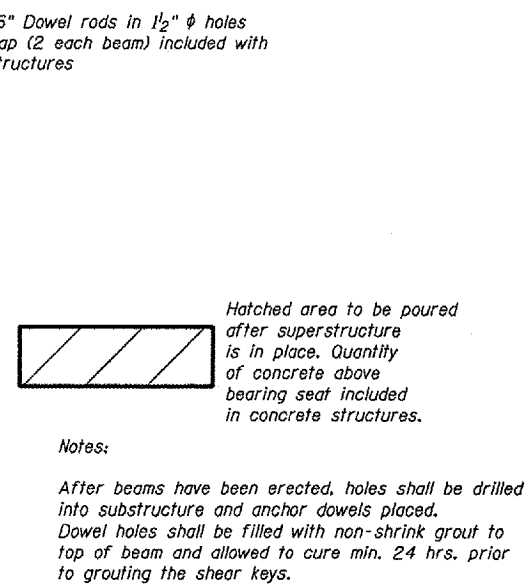


STATE OF ILLINOIS  
DEPARTMENT OF TRANSPORTATION

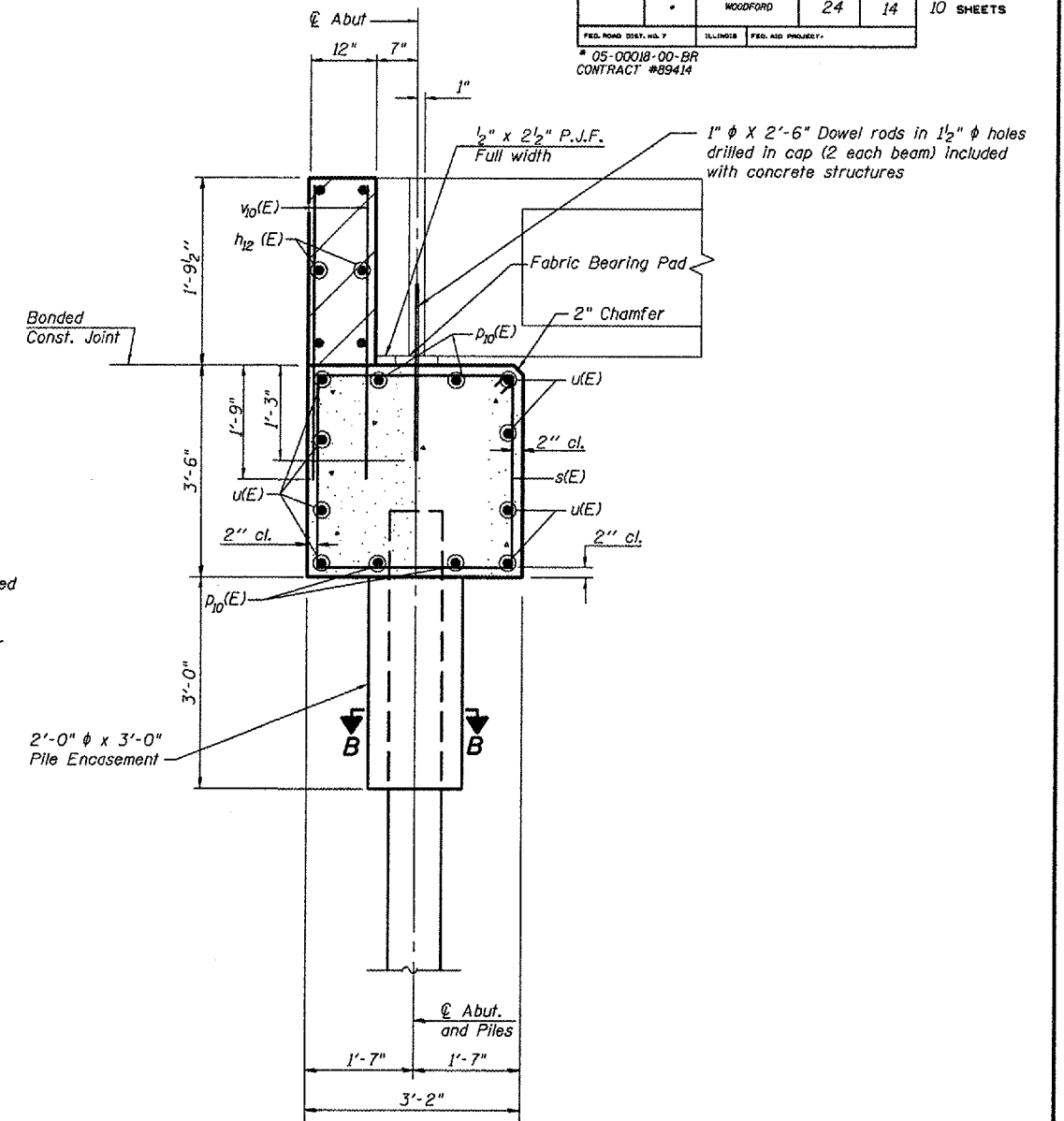
ROUTE NO.	SECTION	COUNTY	SHEET	SET	SHEET NO.
		WOODFORD	24	14	6
FED. ROAD DIST. NO. 7 ILLINOIS FED. AID PROJECT					
05-00018-00-BR CONTRACT #89414					



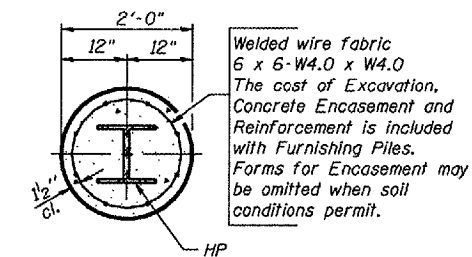
SEC. THRU ROADWAY ABUT.



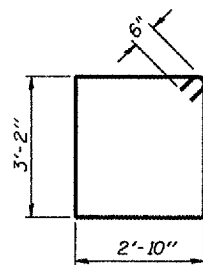
SECTION B-B



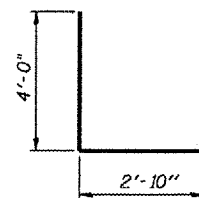
SEC. THRU PEDESTRIAN ABUT.



Welded wire fabric  
6 x 6-W4.0 x W4.0  
The cost of Excavation,  
Concrete Encasement and  
Reinforcement is included  
with Furnishing Piles.  
Forms for Encasement may  
be omitted when soil  
conditions permit.



BAR s(E)



BAR u(E)

DESIGNED -
CHECKED -
DRAWN -
CHECKED -

**SUBSTRUCTURE ABUTMENT DETAILS**  
**WALNUT STREET OVER SNAG CREEK**  
SECTION 05-00018-00-BR  
WOODFORD COUNTY  
STATION 13+91.11