

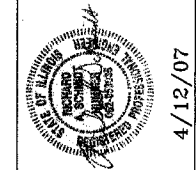
F.A.U. RTE.	SECTION	COUNTY	TOTAL SHEETS	SHEET NO.
B146	06-00029-00-TL	SANGAMON	67	37
STA. 31+00		TO STA. 45+00		
FED. ROAD DIST. NO.	ILLINOIS	FED. AID PROJECT	*	
HS - 8146(003)				

SHEET NO.

37

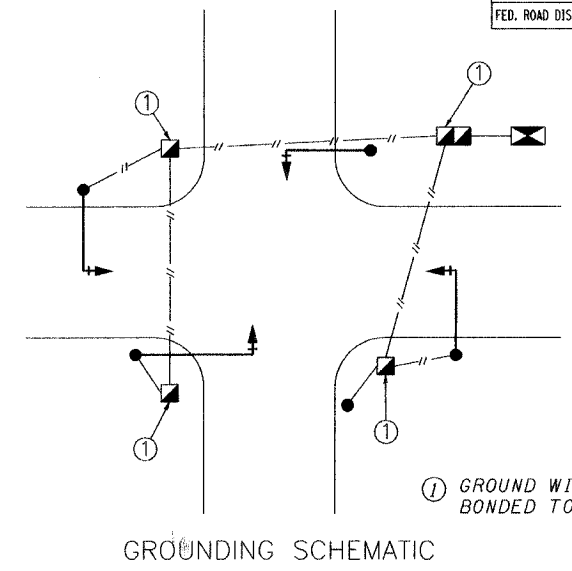
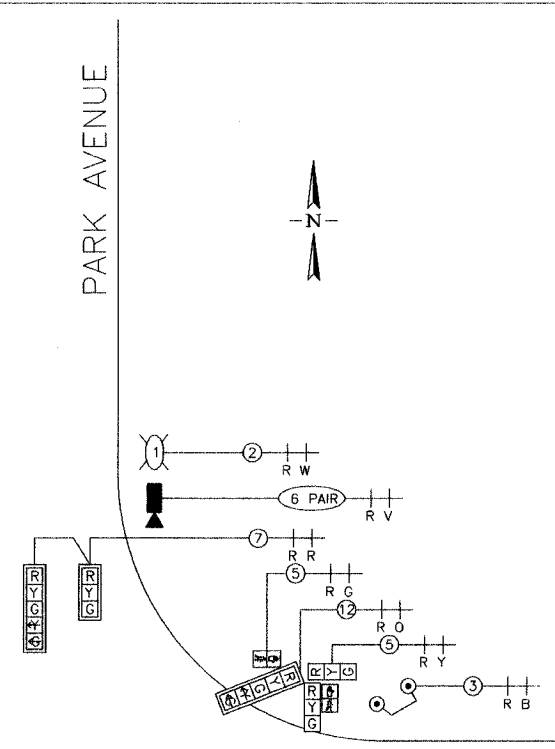
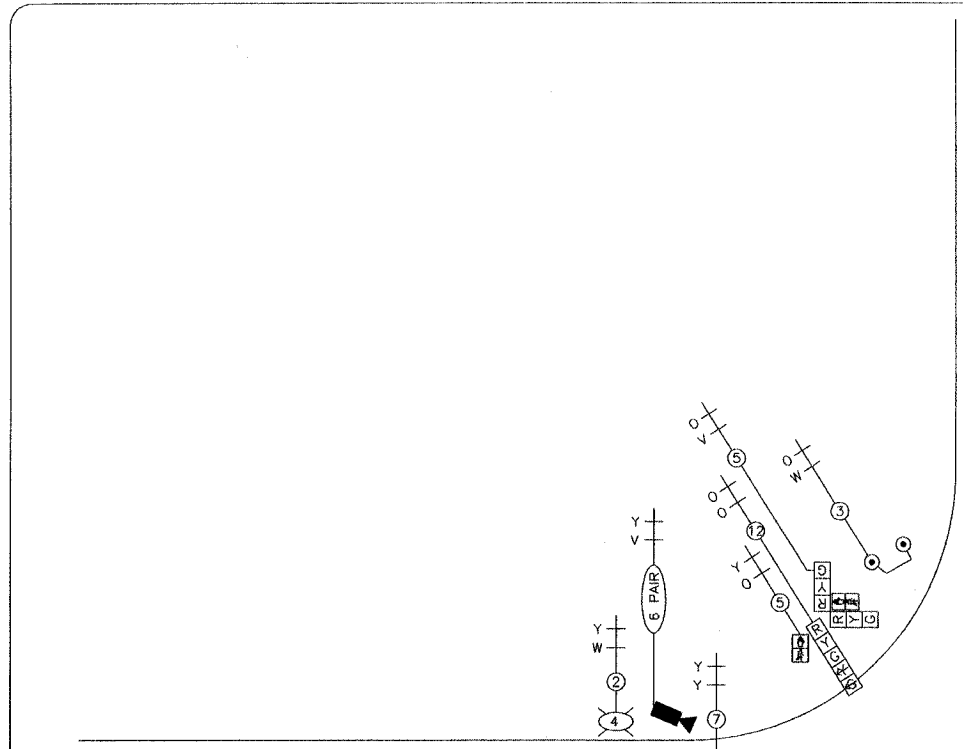
Job No. 124-06  
 Date: 1/29/07  
 Scale: N.T.S.  
 Drawn by: D.E.G.  
 Design by: B.D.  
 Approved by: R.A.S.  
 File Name: 04\_CABLE

REVISIONS

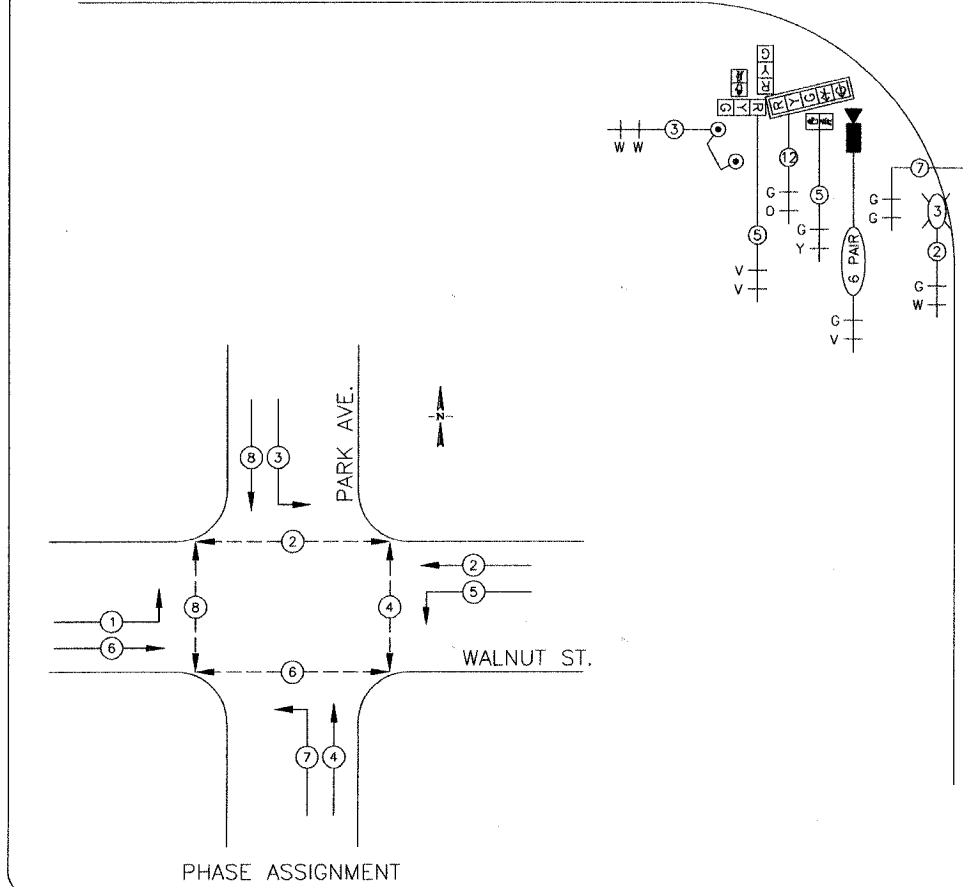


**CBB** Crawford, Bunte, Brammeyer  
 Traffic and Transportation Engineers  
 St. Louis, Missouri / Glen Carbon, Illinois  
 314-878-6644 618-656-2612  
 Fax: 314-878-5876 E-Mail: cbb@cbbtraffic.com

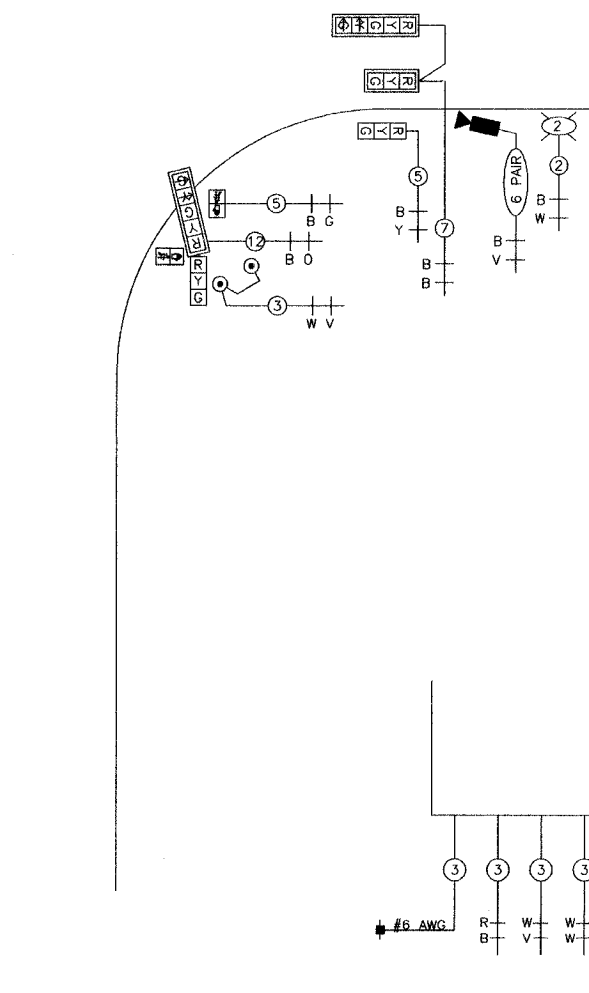
**PROPOSED CABLE DIAGRAM**  
 WALNUT STREET & PARK AVENUE  
 CHATHAM, ILLINOIS



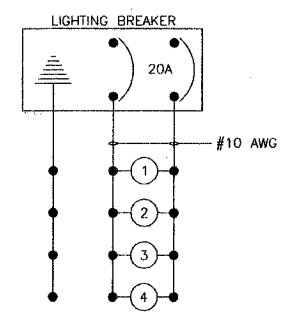
GROUNDING SCHEMATIC



PHASE ASSIGNMENT



WALNUT STREET



CONTROLLER

