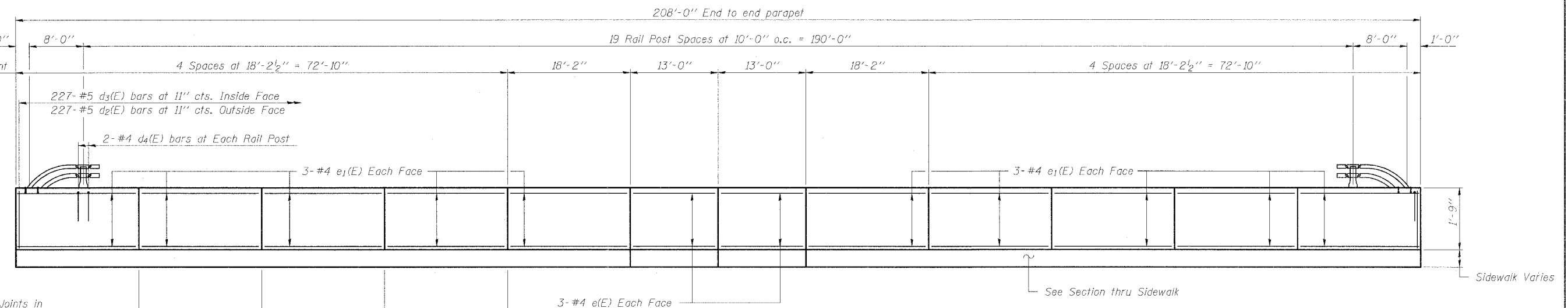


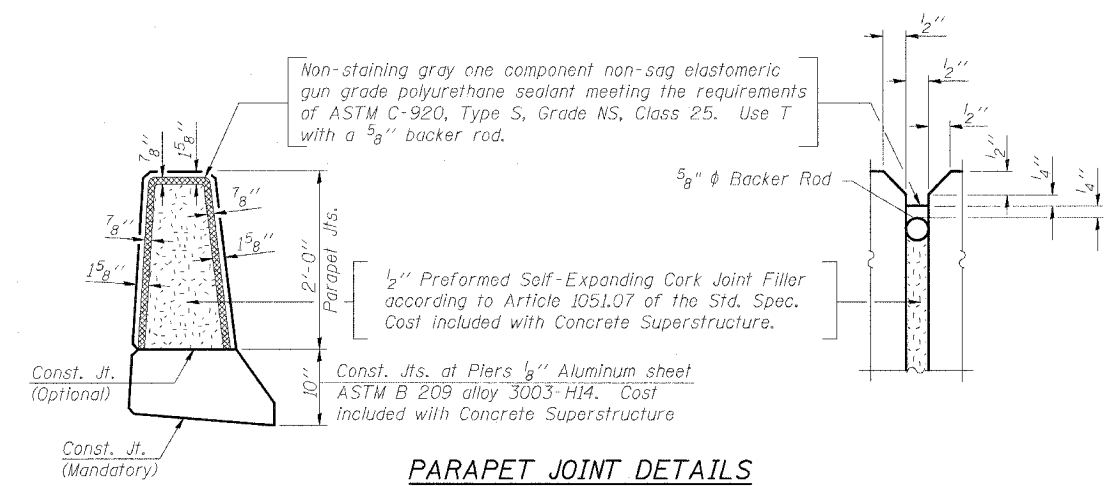
INSIDE ELEVATION OF PARAPET

MINIMUM BAR LAP

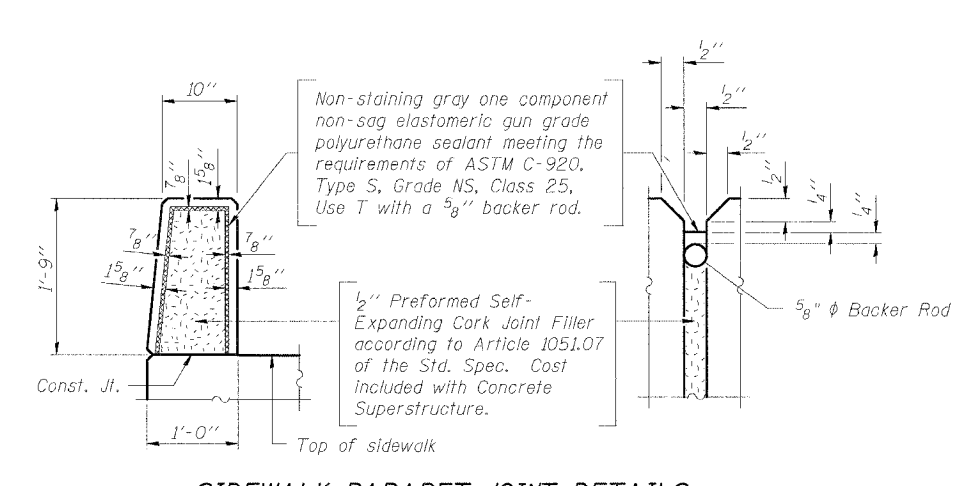
(Parapet)
 #4 bar = 1'-4"
 #5 bar = 2'-2"
 #8 bar = 3'-5"



INSIDE ELEVATION OF SIDEWALK PARAPET



PARAPET JOINT DETAILS



SIDEWALK PARAPET JOINT DETAILS

Notes:
 Fiberglass pipe shall conform to ASTM D2996, with short-time rupture strength hoop tensile stress of 30,000 p.s.i. minimum.
 The exterior surfaces of the floor drains shall be coated or pigmented by the manufacturer with a color that matches the concrete.
 The clamping device and inserts shall be galvanized according to AASHTO M 232.

SUPERSTRUCTURE DETAILS (SHEET 1)
 OUTER BELT WEST OVER TRIBUTARY
 TO LITTLE WABASH RIVER
 LOCAL ROAD SEC. 03-00098-00-BR
 EFFINGHAM COUNTY
 STATION 415+66.00
 STRUCTURE NO. 025-6009

© Copyright Hanson Professional Services Inc. 2007

HANSON

DATE: 03/29/07

03/29/07 10:32 AM
 R051651052071CADStructModel\FinalPlan.dgn
 LAYOUT: 03/29/07
 DRAWN: 03/17/07
 REVIEWED: JOT 03/19/07