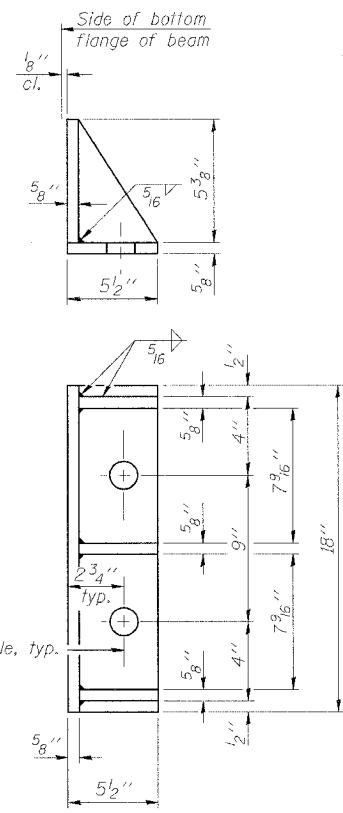


Beam ends shall be set on an initial 1/2" min. grout (2:1 sand and portland cement, very dry mix) to provide full bearing. Any excess grout squeezed out from under the beam shall be removed. Cost included with Concrete Structures.

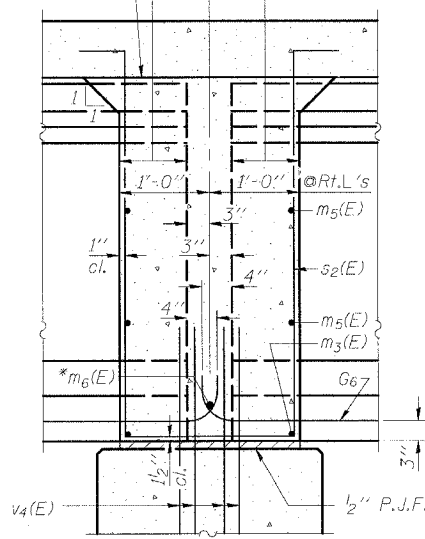
SECTION A-A
Dimensions of right angles to abutment, except as shown.



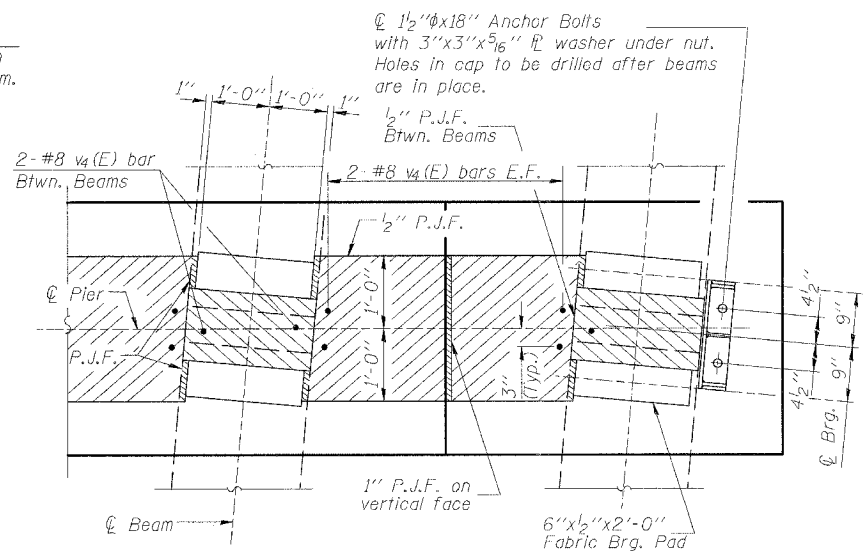
SIDE RETAINER
Equivalent rolled angle with stiffeners will be allowed in lieu of welded plates.

Pour diaphragm flush with bott. of slab. Concrete in slab above this line shall be placed not less than 45 min. nor more than 90 min. after diaphragm has been poured.

Roofing felt shall be bonded to side of beam embedded into diaphragm.

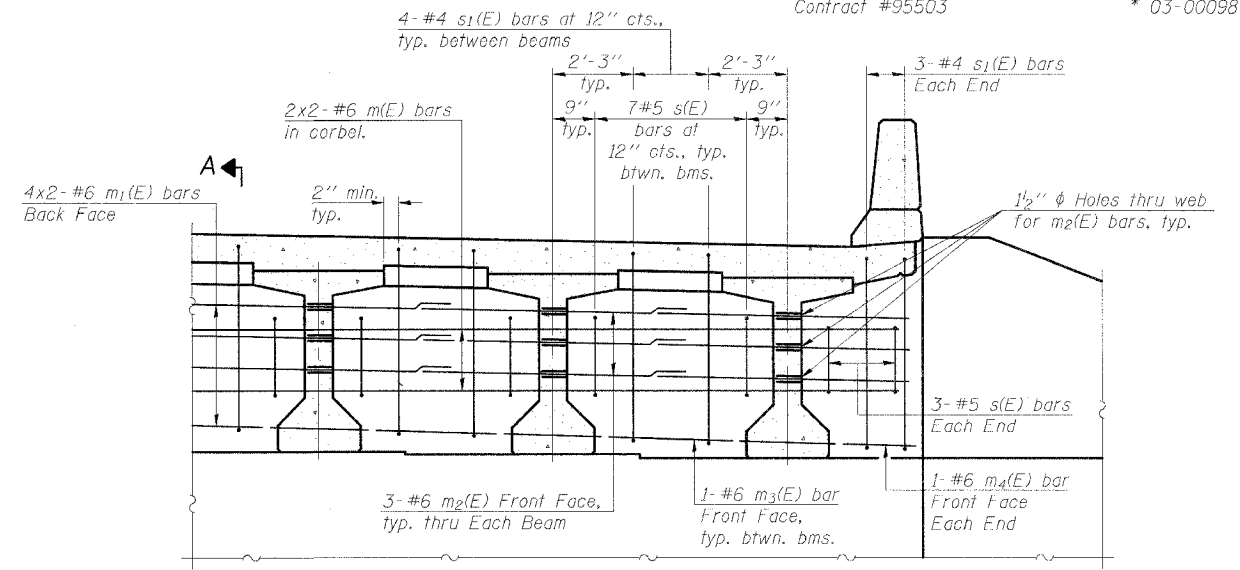


SECTION B-B
Dimensions along centerline of beam, except as shown.



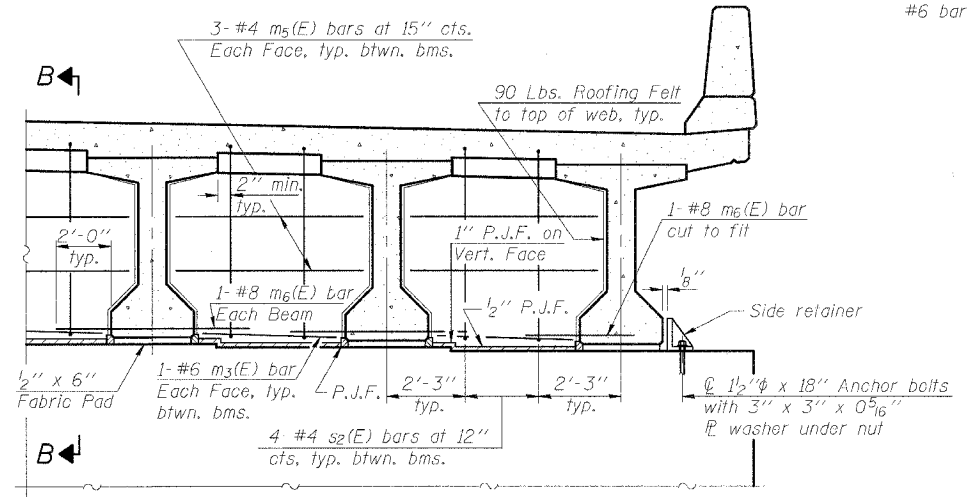
PARTIAL PIER PLAN

* Tightly fasten the #8 bars together with No. 9 wire ties.



DIAPHRAGM ELEVATION AT ABUTMENT

MIN. BAR LAP
#6 bar = 2'-9"



DIAPHRAGM AT PIER

Notes:
Reinforcement bars in diaphragm are billed with superstructure on sheet 09 of 23.
Concrete in diaphragm is included with Concrete Superstructure on sheet 09 of 23.
For details of bars s(E), s1(E) and s2(E) see sheet 09 of 23.
The s(E), s1(E) and s2(E) bars shall be placed parallel to the beams. Spacing for these bars shall be at right angles to the beams.
Cost of 90 Lb. roofing felt is included with Concrete Superstructure.
The side retainer shall be galvanized after shop fabrication according to AASHTO M 111. Cost of side retainer and anchor bolts shall be included with Concrete Structures.
Anchor bolts shall be ASTM F1554 all-thread (or an Engineer-approved alternate material) of the grade(s) and diameter(s) specified. ASTM A307 Grade C anchor bolts may be used in lieu of ASTM F1554 Grade 36 (Fy=36ksi). The corresponding specified grade of AASHTO M314 anchor bolts may be used in lieu of ASTM F1554.
Anchor bolts for side retainers may be cast in place or installed in holes drilled before or after members are in place.
Drilled and set anchor bolts shall be installed according to Article 521.06 of the Standard Specifications.

DIAPHRAGM DETAILS
OUTER BELT WEST OVER TRIBUTARY
TO LITTLE WABASH RIVER
LOCAL ROAD SEC. 03-00098-00-BR
EFFINGHAM COUNTY
STATION 415+66.00
STRUCTURE NO. 025-6009

© Copyright Hanson Professional Services Inc. 2007

HANSON

JOB NO.
0552071
DATE
03/29/07

03/29/07 03:34 AM
 I:\05\Jobs\0552071\CAD\Struct\Main\Plan\Plan.dgn
 LAYOUT: HMM 12/20/07
 DRAWN: DAP 07/22/07
 REVIEWED: JUT 07/25/07