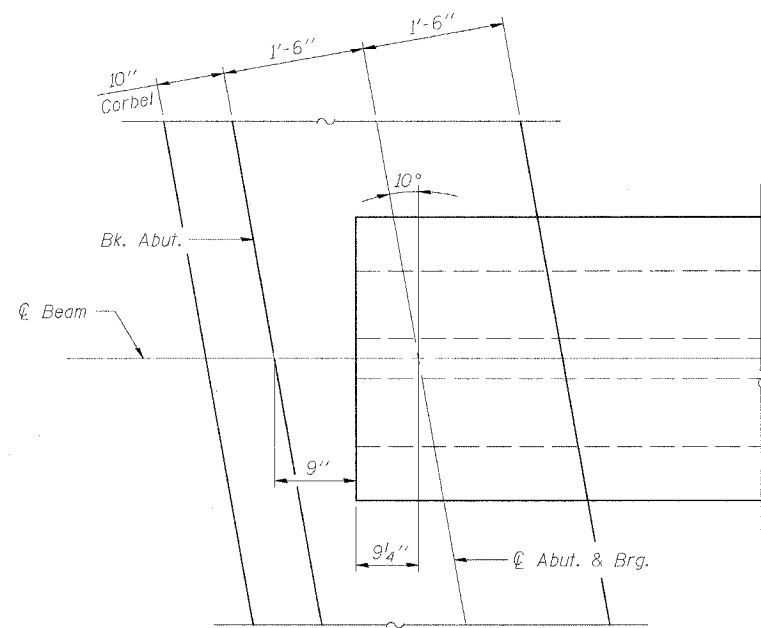
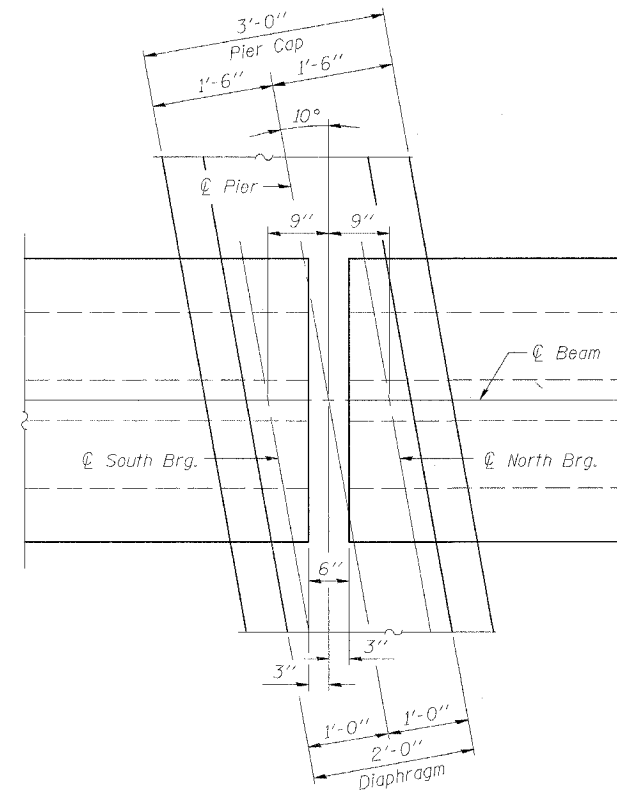


FRAMING PLAN



DETAIL 'A'



DETAIL 'B'

Notes:
See Sheet 12 of 23 for Section A-A and B-B.

FRAMING PLAN
 OUTER BELT WEST OVER TRIBUTARY
 TO LITTLE WABASH RIVER
 LOCAL ROAD SEC. 03-00098-00-BR
 EFFINGHAM COUNTY
 STATION 415+66.00
 STRUCTURE NO. 025-6009

© Copyright Hanson Professional Services Inc. 2007



OS NO.
05S2071

DATE
03/29/07

03/29/07 06:34 AM
 I:\05\0552071\0400\51\ch\Model\1\FramPlan.dgn
 LAYOUT: MM 12/20/07
 DRAWN: DAP 07/22/07
 REVIEWED: JLT 07/15/07