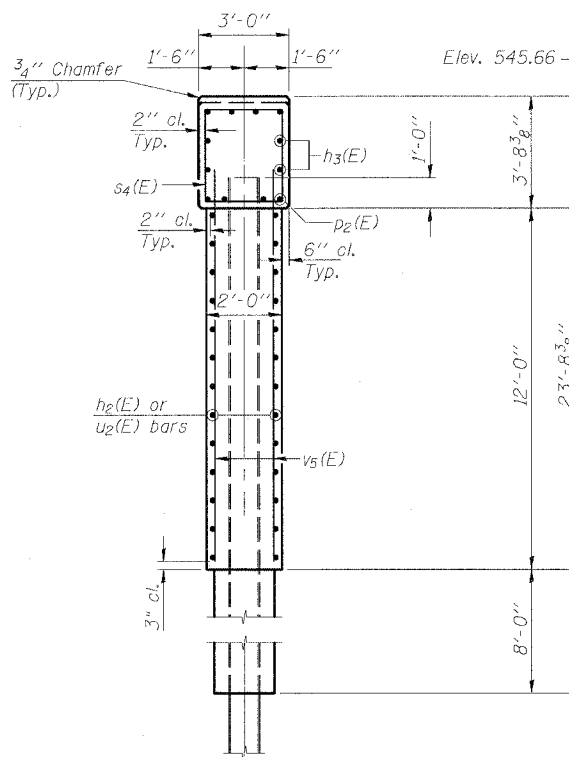
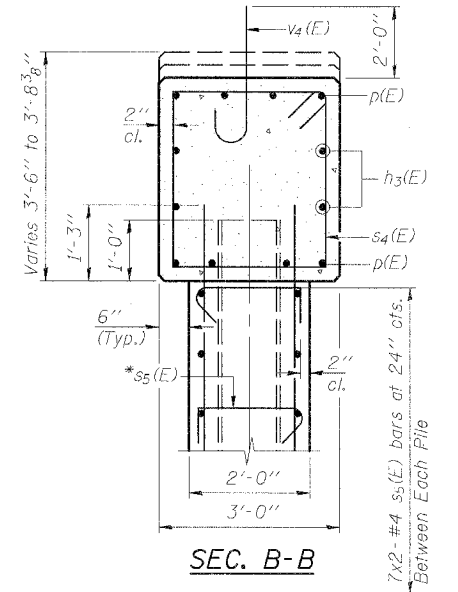
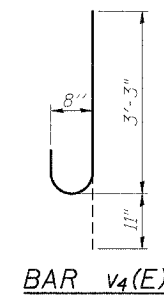
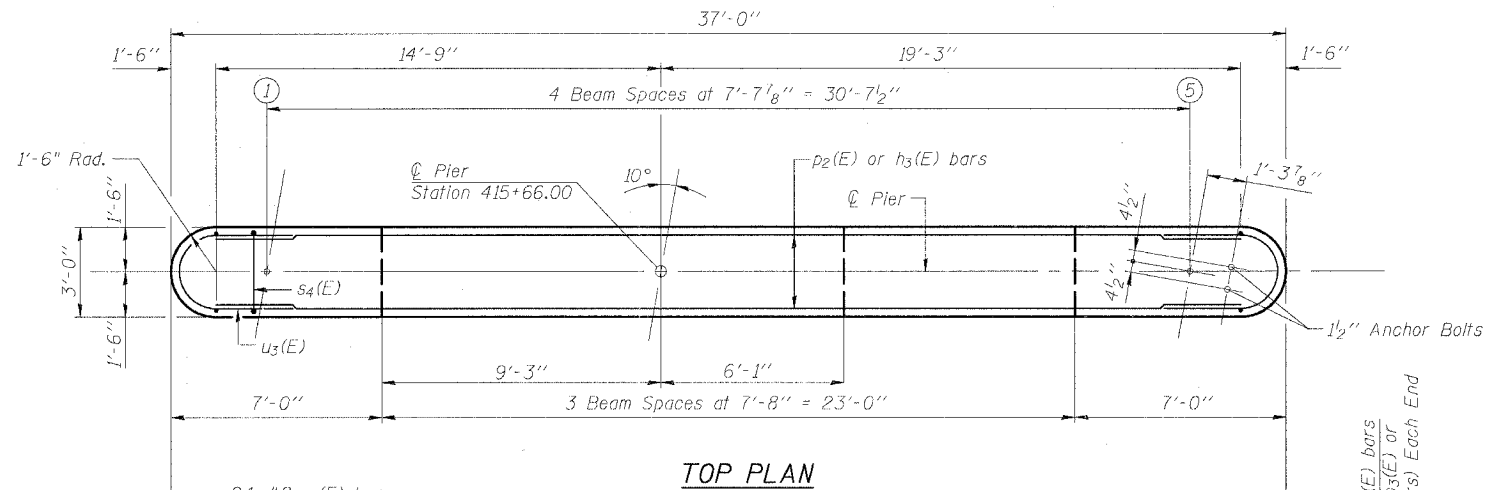


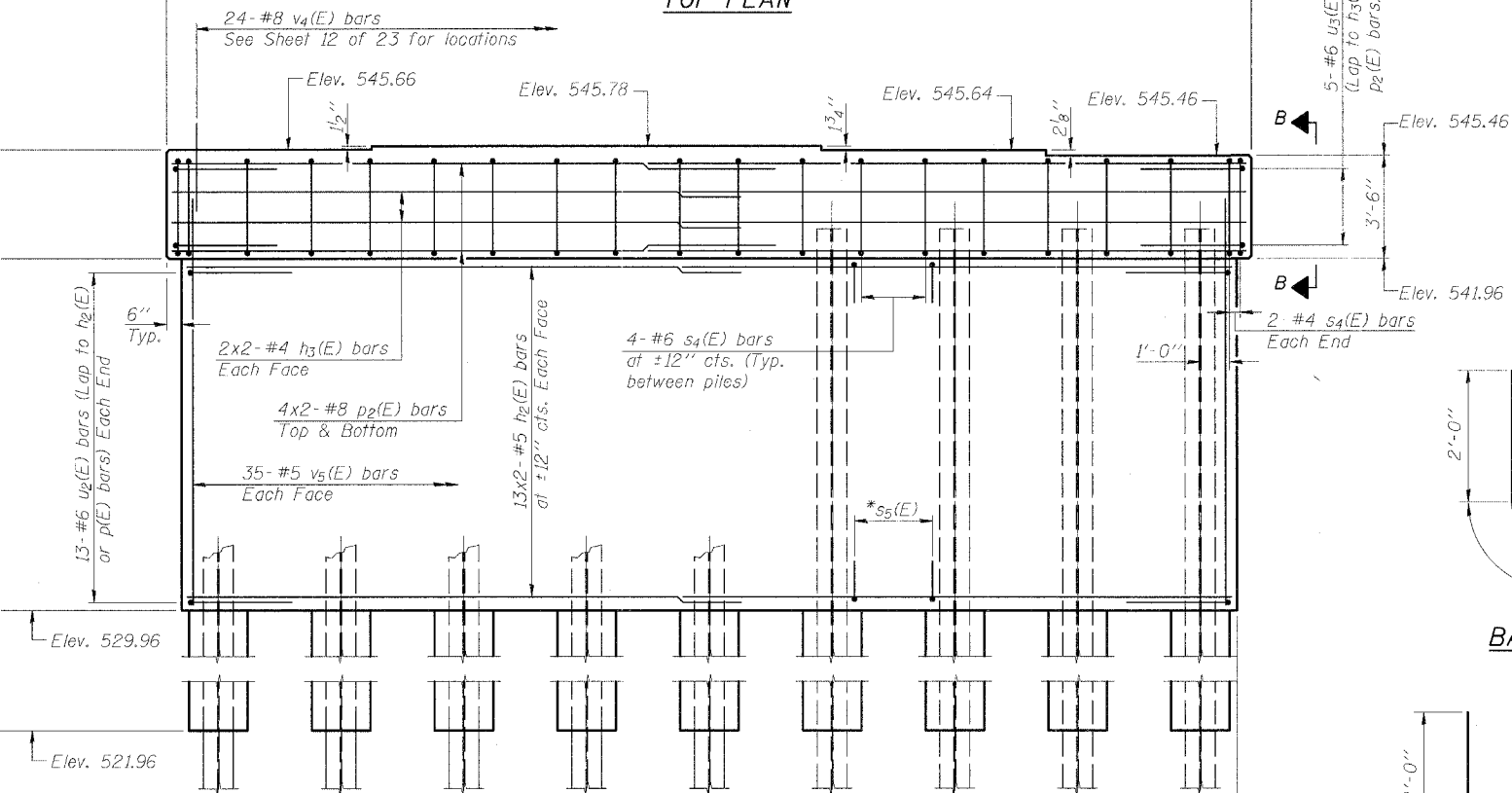
Notes:  
 Space reinforcement in cap to miss anchor bolts.  
 Pour steps monolithically with cap.  
 For details of piles, see sheet 19 of 23.

**MIN. BAR LAPS**

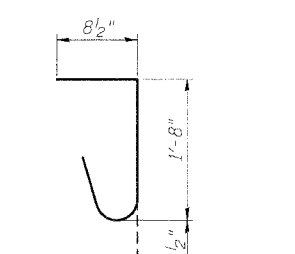
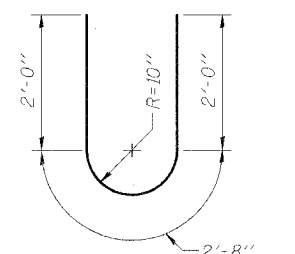
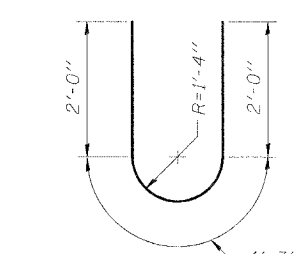
- #4 Bar - 1'-4"
- #5 Bar - 1'-8"
- #6 Bar - 2'-0"
- #8 Bar - 3'-5"



**END VIEW**



**ELEVATION**  
(Looking North Upstation)



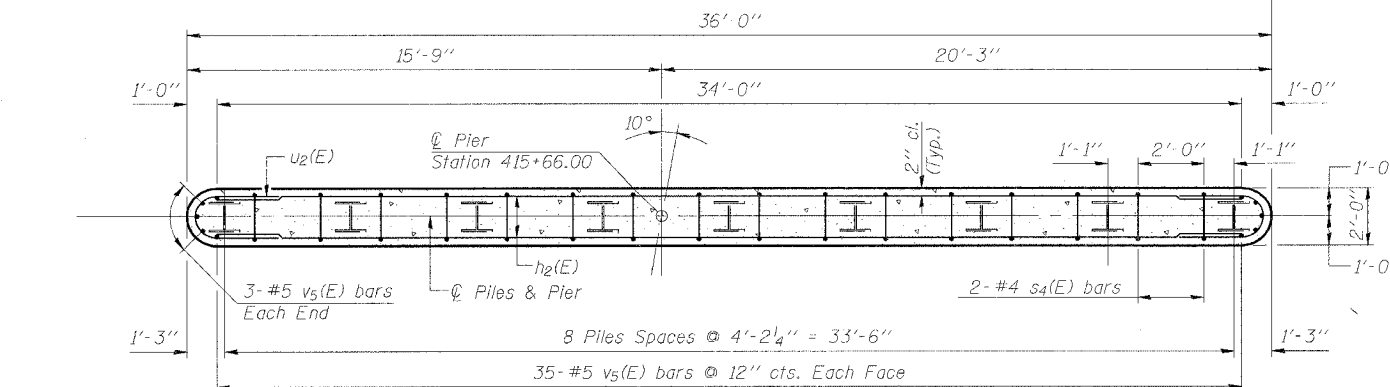
**BILL OF MATERIAL**

Bar No.	Size	Length	Shape
h2(E)	#5	17'-10"	—
h3(E)	#4	17'-8"	—
p2(E)	#8	18'-9"	—
s4(E)	#6	12'-7"	□
s5(E)	#4	2'-9"	U
u2(E)	#6	6'-8"	U
u3(E)	#6	8'-3"	U
v4(E)	#8	4'-2"	U
v5(E)	#5	13'-0"	—
Structure Excavation	Cu. Yd.	27	
Concrete Structures	Cu. Yd.	46.6	
Reinforcement Bars, Epoxy Coated	Pound	4030	
Furnishing Steel Piles HP12x84	Foot	544	
Driving Steel Piles	Foot	544	
Test Piles Steel, HP12x84	Each	1	
Concrete Encasement	Cu. Yd.	8.4	

\* Alternate placement of 90° hooks in each face of encasement in each vertical line of s5(E) bars.

**PILE DATA**

Type: HP12x84  
 Nominal Required Bearing: 664 kips  
 Allowable Resistance Available: 210 kips  
 Est. Length: 68 ft.  
 No. Production Piles: 8  
 No. Test Piles: 1



**PILE LAYOUT & ENCASEMENT WALL PLAN**

**PIER**  
 OUTER BELT WEST OVER TRIBUTARY  
 TO LITTLE WABASH RIVER  
 LOCAL ROAD SEC. 03-00098-00-BR  
 EFFINGHAM COUNTY  
 STATION 415+66.00  
 STRUCTURE NO. 025-6009

© Copyright Hanson Professional Services Inc. 2007



JOB NO.

05S2071

DATE

03/29/07

03/29/07 10:36 AM  
 A:\05 Jobs\05-2071\CADD\Struct\Modell\Tran\Pier.dwg  
 LAYOUT: MM 12/20/07  
 DRAWN: DAP 01/12/07  
 REVIEWED: JUT 01/15/07