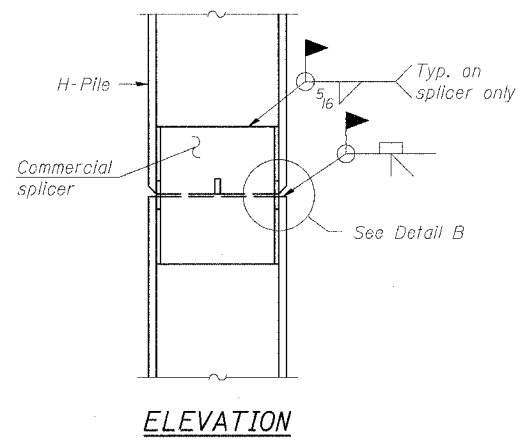
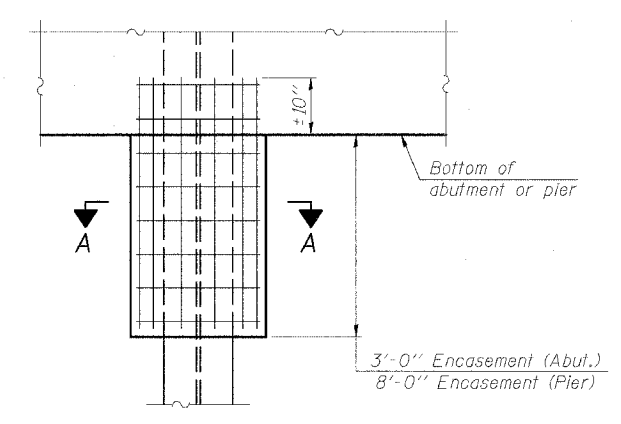


STEEL PILE TABLE

Designation	Depth d	Flange width br	Web and Flange thickness t	Encasement diameter A
HP 14x117	14 1/4"	14 7/8"	13/16"	30"
x102	14"	14 3/4"	1/16"	30"
x89	13 7/8"	14 3/4"	5/8"	30"
x73	13 5/8"	14 5/8"	1/2"	30"
HP 12x84	12 1/4"	12 1/4"	1/16"	24"
x74	12 1/8"	12 1/4"	5/8"	24"
x63	12"	12 1/8"	1/2"	24"
x53	11 3/4"	12"	7/16"	24"
HP 10x57	10"	10 1/4"	9/16"	24"
x42	9 3/4"	10 1/8"	7/16"	24"
HP 8x36	8"	8 1/8"	1/16"	18"

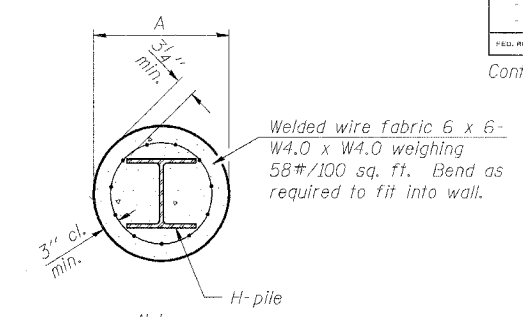


ELEVATION



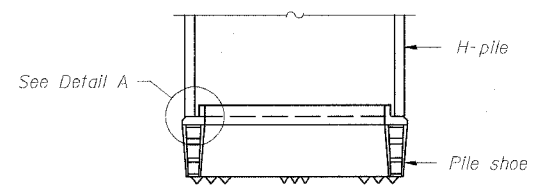
ELEVATION

PILE ENCASEMENT



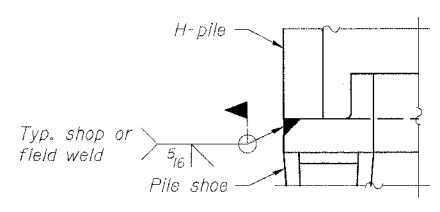
SECTION A-A

Note: Forms for encasement may be omitted when soil conditions permit.

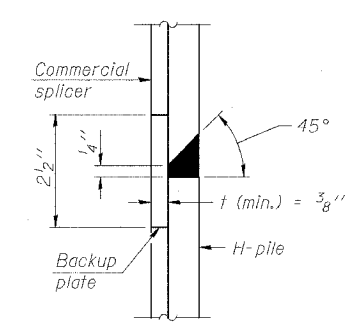


ELEVATION

H-PILE SHOE ATTACHMENT

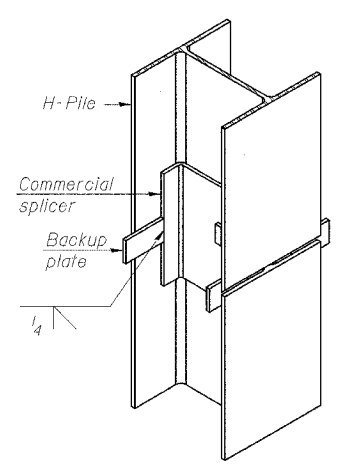


DETAIL A

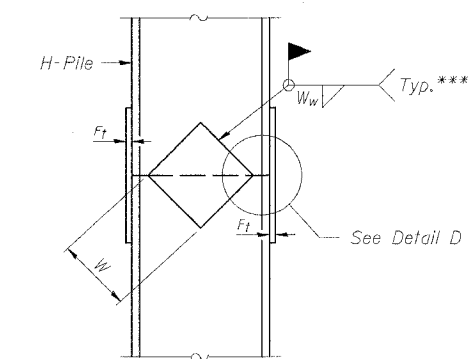


DETAIL "B"

WELDED COMMERCIAL SPLICE

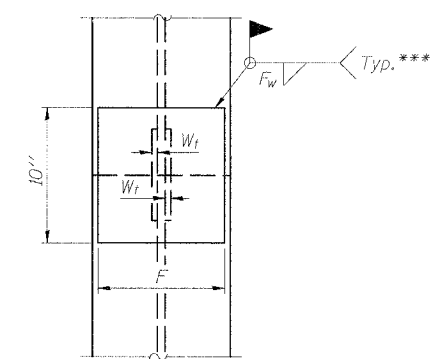


ISOMETRIC VIEW



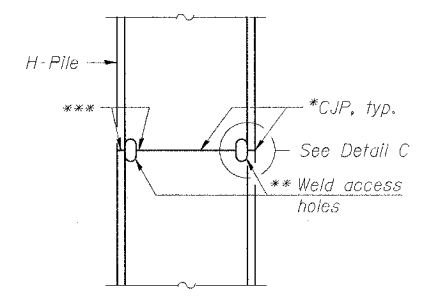
ELEVATION

WELDED PLATE FIELD SPLICE



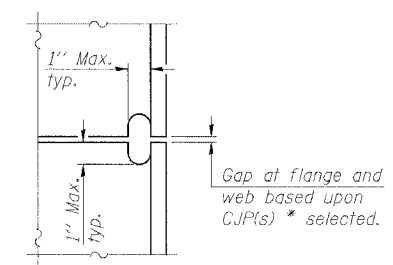
END VIEW

Designation	F	F _t	F _w	W	W _t	W _w
HP 14x117	12 1/2"	1"	7/8"	7 3/4"	5 1/2"	1/2"
x102	12 1/2"	7/8"	3/4"	7 3/4"	5 1/2"	1/2"
x89	12 1/2"	3/4"	1/16"	7 3/4"	5 1/2"	1/2"
x73	12 1/2"	5/8"	9/16"	7 3/4"	5 1/2"	1/2"
HP 12x84	10"	7/8"	1/16"	6 1/2"	5 1/2"	1/2"
x74	10"	7/8"	1/16"	6 1/2"	5 1/2"	1/2"
x63	10"	5/8"	1/2"	6 1/2"	1/2"	3/8"
x53	10"	5/8"	1/2"	6 1/2"	1/2"	3/8"
HP 10x57	8"	3/4"	9/16"	5 1/4"	1/2"	3/8"
x42	8"	5/8"	9/16"	5 1/4"	1/2"	3/8"
HP 8x36	7"	5/8"	7/16"	4 1/4"	1/2"	3/8"

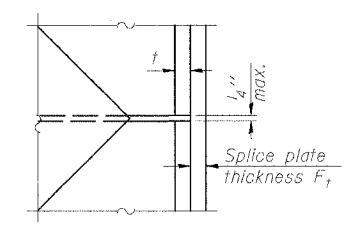


ELEVATION

COMPLETE PENETRATION WELD SPLICE



DETAIL C



DETAIL D

* Use joint conforming to Figure 3.4 in AWS D1.1, Structure Welding Code - Steel.
 ** Preparation per Fig. 5.2 in AWS D1.1, Structure Welding Code - Steel.
 *** Interrupt welds 1/4" from end of each pile.

Note: The steel H-piles shall be according to AASHTO M270 Grade 50.

STEEL H-PILES
 OUTER BELT WEST OVER TRIBUTARY
 TO LITTLE WABASH RIVER
 LOCAL ROAD SEC. 03-00098-00-BR
 EFFINGHAM COUNTY
 STATION 415+66.00
 STRUCTURE NO. 025-6009

© Copyright Hanson Professional Services Inc. 2007

HANSON

JOB NO.
05S2071
DATE
03/29/07

03/29/07 10:36 AM
 I:\051\051052\07\CAD\Struct\Modis V-Trail\Plan.dgn
 LAYOUT
 DRAWN
 REVIEWED