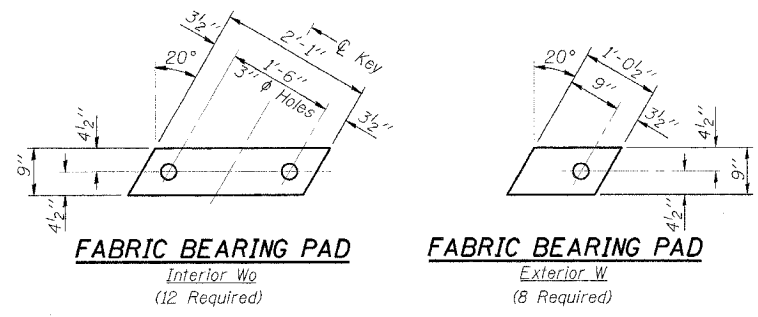
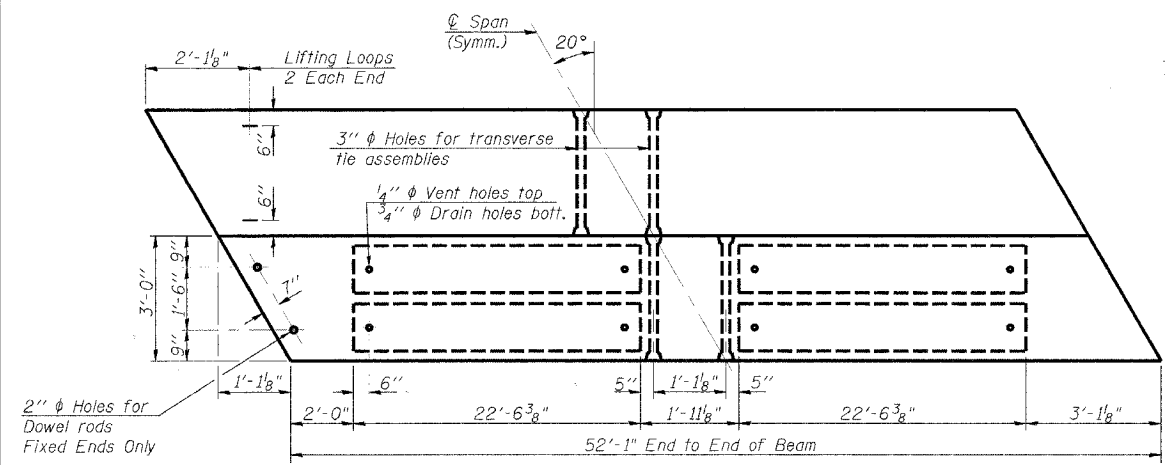
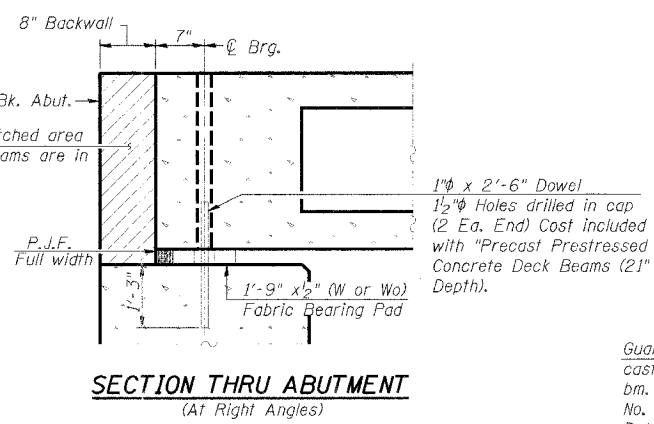
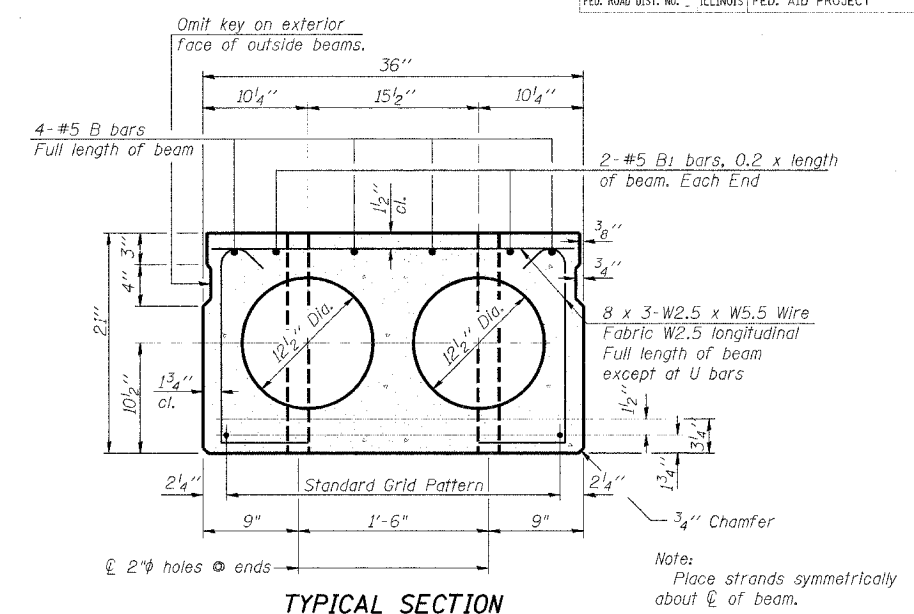
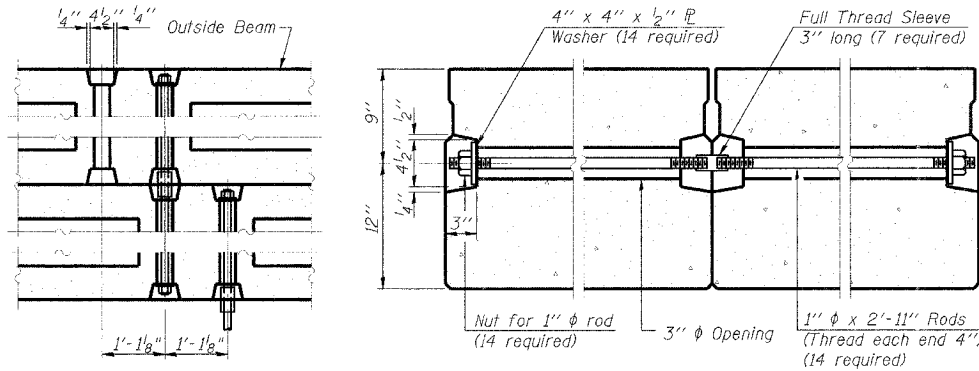
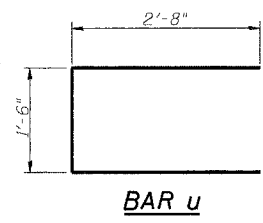


T.R. SECTION	COUNTY	TOTAL SHEET SHEETS	NO.
335A 06-15129-00-BR	SHELBY	11	5
STA. 20+00 TO STA. 25+00			
FED. ROAD DIST. NO. ILLINOIS FED. AID PROJECT			



FIXED BEARINGS



NOTES

Prestressing steel shall be uncoated high strength, low relaxation 7-wire strand, Grade 270. The nominal diameter shall be 1/2" and the nominal cross-sectional area shall be 0.153 sq. in. Lifting loops shall be 2-1/2" phi-270 ksi strands, as shown.

The 1" phi rods in the transverse tie assembly shall be tightened to a snug fit and the threads set. Pockets that receive transverse tie bar on outside shall be filled with grout after transverse tie assembly is in place.

Non prestressing steel shall conform to ASTM A706 Grade 60 (Illinois Modified). The bearing seat surfaces shall be adjusted by shimming to assure firm and even bearing. Two 1/8" fabric adjusting shims of the dimensions of the Exterior Bearing Pad shall be provided for each bearing.

Keyway surfaces shall be cleaned to remove form oil or other bond breaking material prior to shipment of the beams. Cleaning shall be done by sandblasting the keyway areas between top of the beam and the bottom edge of the key.

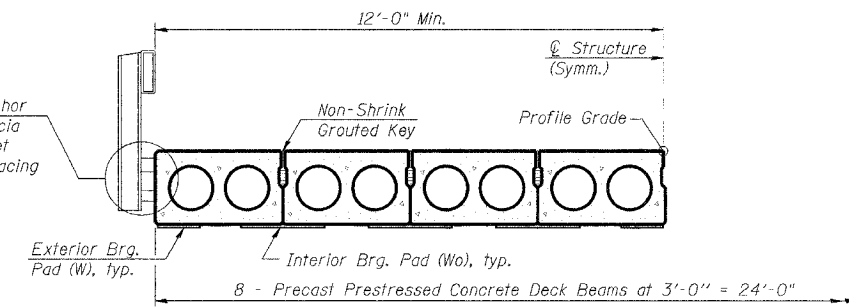
Corrosion inhibitor, per Article 1020.05(b)(12) of the Standard Specifications, shall be used in the concrete for precast prestressed concrete deck beams.

Required Release Strength, f'ci, shall be 4000 p.s.i.

Rail Post Anchor Devices shall be cast into exterior face of outside beams as specified on Sheet No. 6.

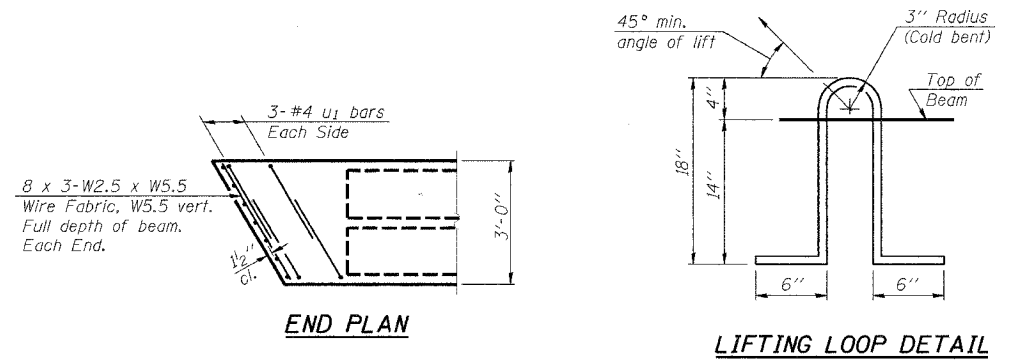
After beams have been erected, holes shall be drilled into the substructure and anchor dowels placed. Dowel holes shall be filled with non-shrink grout to top of beam and allowed to cure a min. 24 hours prior to grouting the shear keys.

HALF CROSS SECTION



BILL OF MATERIAL

Precast Prestressed Conc. Deck Bms. (21" Depth)	Sq. Ft.	1250
---	---------	------



PLOT DATE = 8/17/85
FILE NAME = 07151