

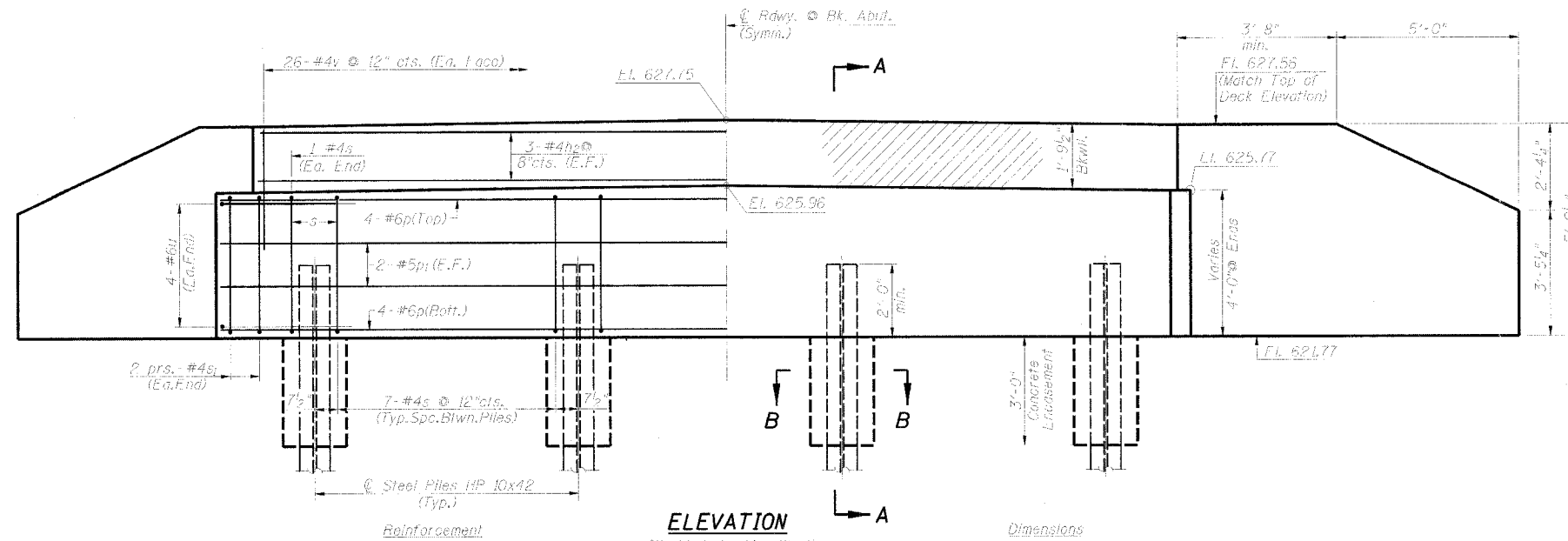
T.R. NO.	SECTION	COUNTY	TOTAL SHEETS	SHEET NO.
335A	06-15129-00-BR	SHELBY	11	7
STA. 20+00 TO STA. 25+00				
FED. ROAD DIST. NO. ILLINOIS FED. AID PROJECT				

NOTES

All exposed edges shall have standard 1/4" chamfer. Space reinforcement in cap to miss beam anchor dowels. Wingwalls and Backwalls may, at the contractor's option, be cast monolithically. Hatched area and wingwalls shall be poured after deck beams are anchored in place. Quantity for Concrete Structures is included in Bill of Material, this steel. The Steel H-Piles shall be according to AASHTO M270 Grade 50. The Test Pile shall be driven to 110 percent of the Nominal Required Bearing indicated in the pile data information.

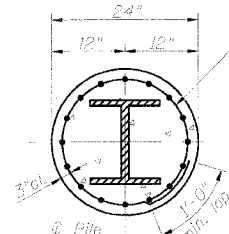
PILE DATA

	W. Abut.	E. Abut.
Pile Type & Size:	Steel HP 10x42	Steel HP 10x42
Nominal Required Bearing:	335 Kips	335 Kips
Allowable Resistance Available:	111 Kips	111 Kips
Estimated Pile Length:	27	27
Number of Production:	4	5
Number of Test Piles:	0	1



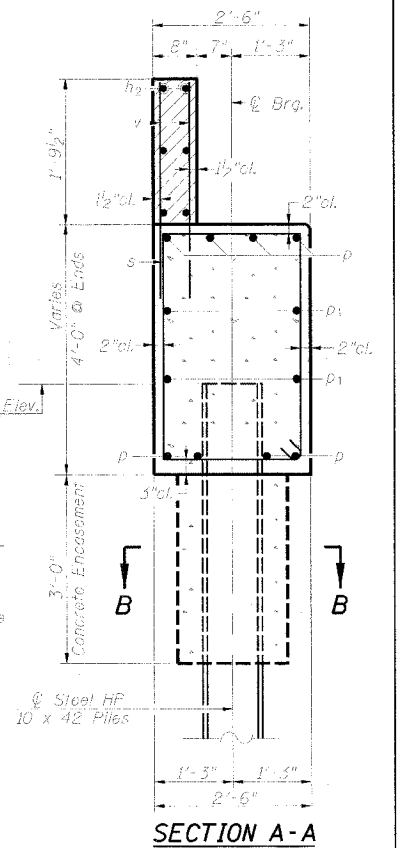
ELEVATION

(W. Abut. Looking West)
(E. Abut. Looking East)

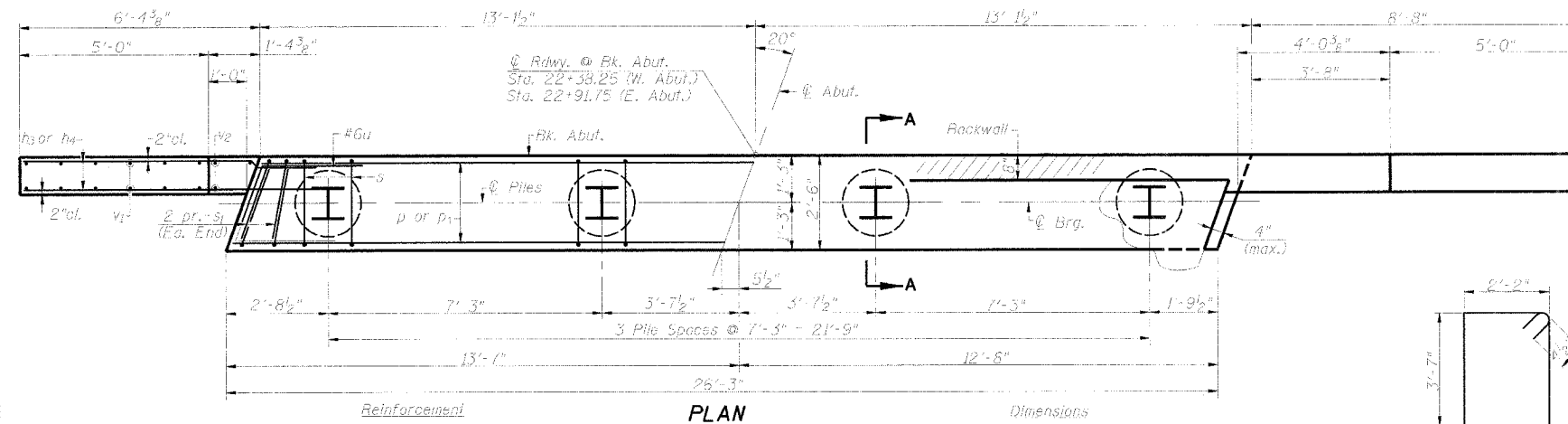


SECTION B-B

Weided Wire Fabric 6x6-W4.0-W4.0 weighing 58#/100 sq.ft. Cost incidental to Concrete Encasement. (Excavation for placement of Encasement shall be incidental to the unit price for Concrete Encasement. Extend W.W.F. 10" min. into cap.)



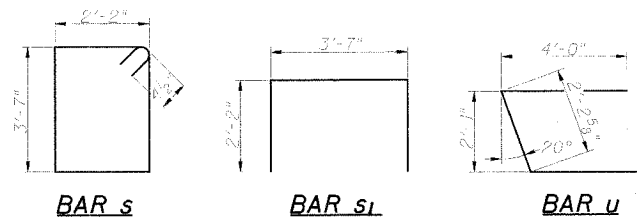
SECTION A-A



PLAN

Reinforcement

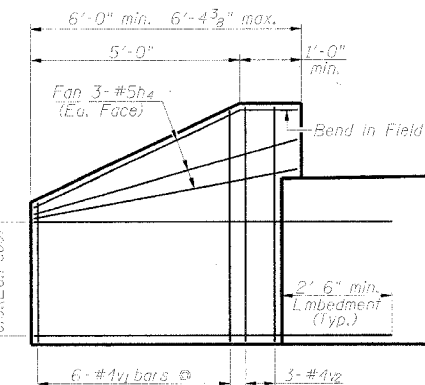
Dimensions



BAR s

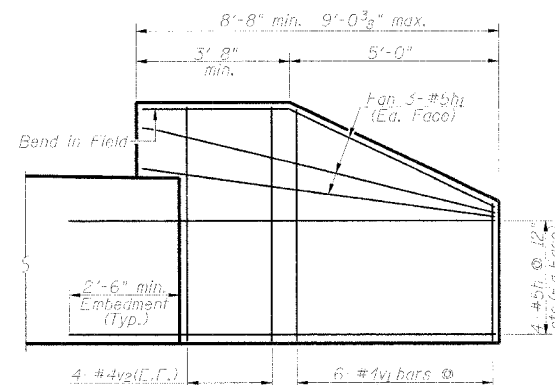
BAR sl

BAR u



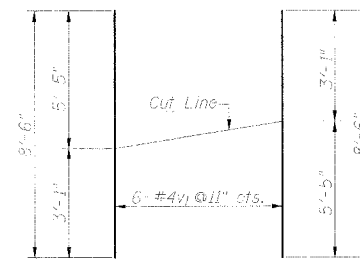
WINGWALL ELEVATION

(Showing Reinforcement)
* See v1-bar cut diagram



WINGWALL ELEVATION

(Showing Reinforcement)
* See v1-bar cut diagram



v1-BAR CUT DIAGRAM

Order v1 bars full length; Layout in field according to diagram. Cut v1 bars along cut line. Use remainder of each bar in opposite face.

TWO ABUTMENTS BILL OF MATERIAL

BAR	NO.	SIZE	LENGTH	SHAPE
h	16	#5	11'-6"	---
h1	12	#5	8'-8"	---
h2	12	#4	28'-3"	---
h3	16	#5	8'-10"	---
h4	12	#5	6'-0"	---
p1	8	#5	25'-11"	---
p	16	#6	25'-11"	---
s	46	#4	12'-5"	□
s1	16	#4	7'-11"	□
u	16	#6	10'-3"	---
v	104	#4	3'-3"	---
v1	24	#4	8'-6"	---
v2	22	#4	5'-5"	---
Concrete Structures			Cu. Yd.	27.8
Reinforcement Bars			Pound	2745
Furnishing Steel Piles HP 10x42			Foot	189
Driving Steel Piles			Foot	189
Test Pile Steel HP10x42			Each	1
Concrete Encasement			Cu. Yd.	2.8
Structure Excavation			Cu. Yd.	85

ABUTMENTS

T.R. 335A OVER BRUSH CREEK
SECTION 06-15129-00-BR
SHELBY COUNTY