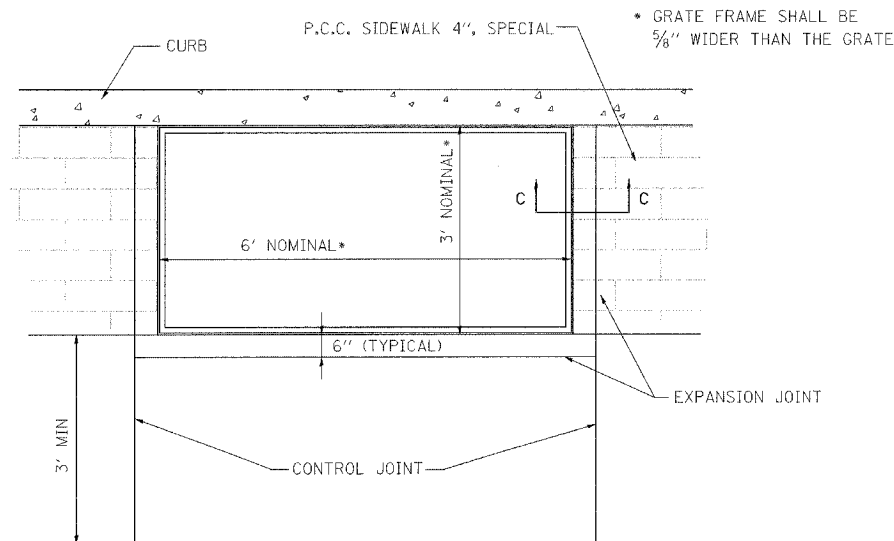
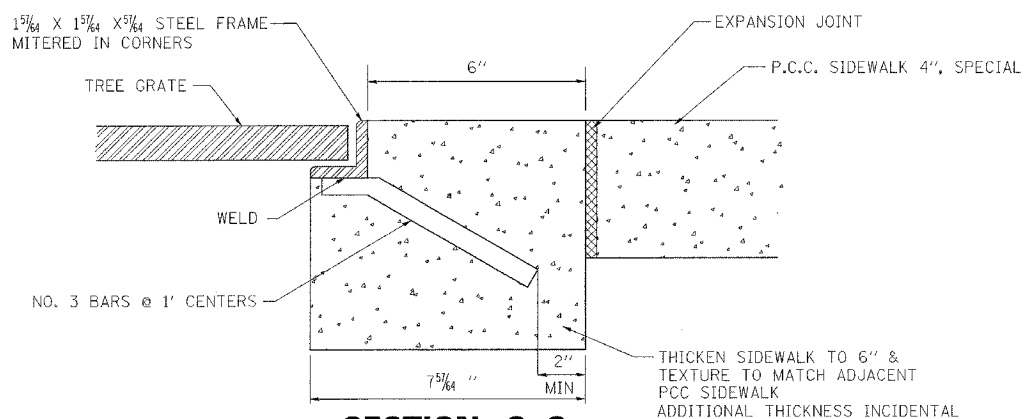


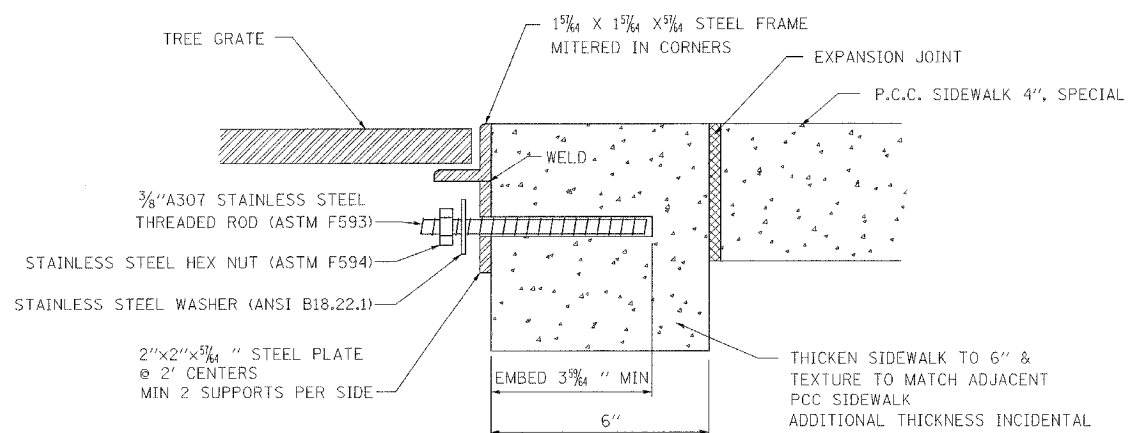
F.A. RTE.	SECTION	COUNTY	TOTAL SHEETS	SHEET NO.
9127	06-00081-02-LS	MADISON	45	20
STA.		TO STA.		
FED. ROAD DIST. NO.		ILLINOIS	FED. AID PROJECT	
TREE GRATE AND PLANTING DETAILS				



TREE GRATE FRAME DETAIL
(NOT TO SCALE)



SECTION C-C TREE GRATE FRAME DETAIL OPTION 1
(NOT TO SCALE)

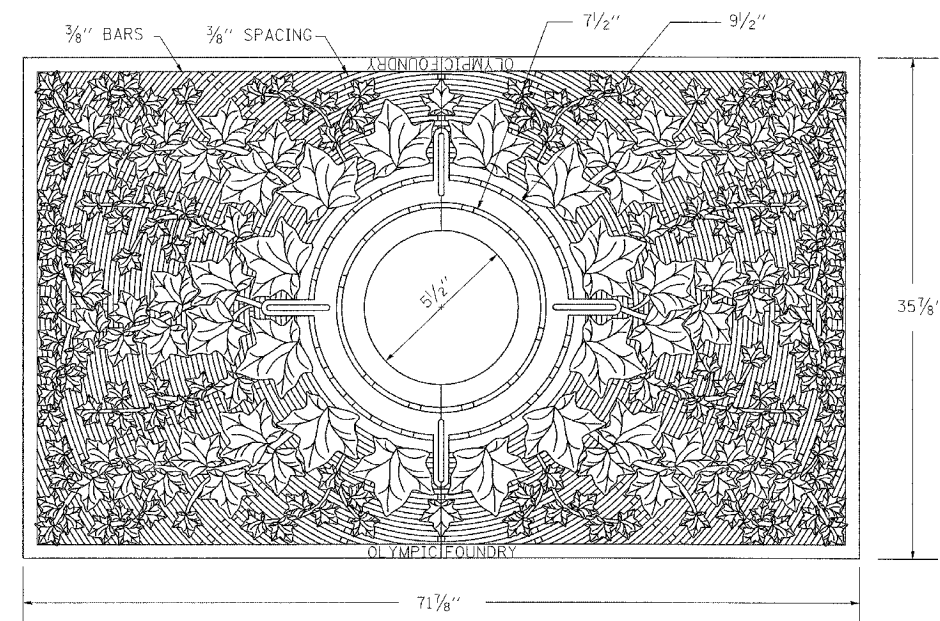


SECTION C-C TREE GRATE FRAME DETAIL OPTION 2
(NOT TO SCALE)

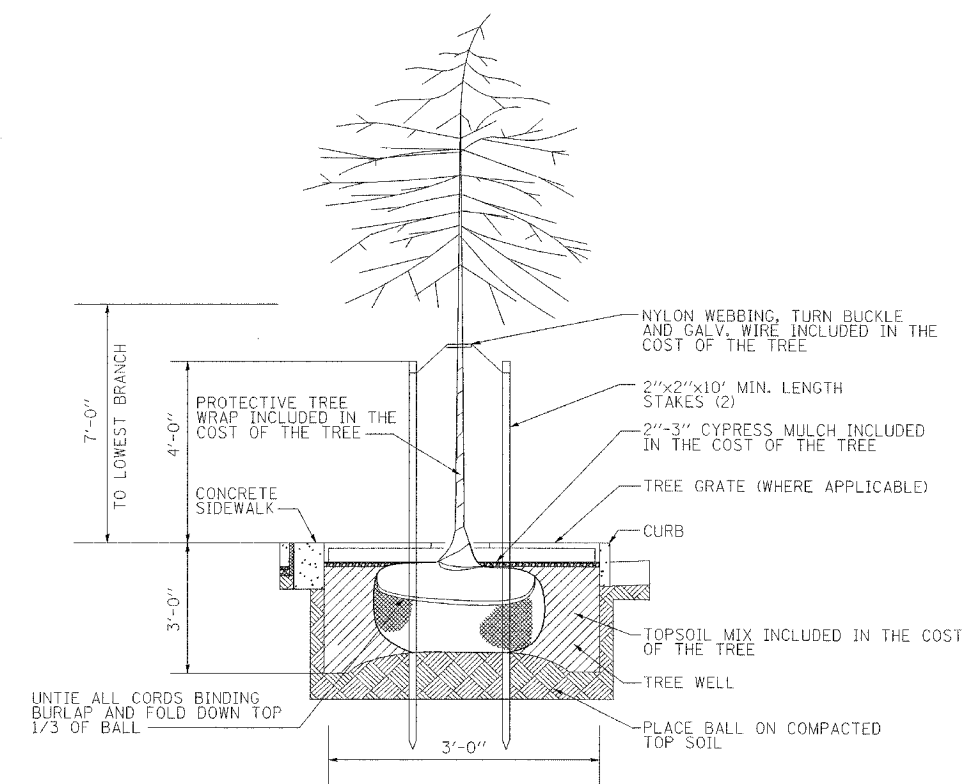
EMBED STAINLESS STEEL THREADED ROD WITH A CAPSULE OR ADHESIVE CARTRIDGE TYPE EPOXY SYSTEM. THE CONTRACTOR SHALL INSTALL THE RODS IN PRE-DRILLED HOLES ACCORDING TO THE MANUFACTURER'S RECOMMENDATIONS AND PROCEDURES. THE CAPSULE OR THE ADHESIVE CARTRIDGE SHALL BE SEALED WITH PREMEASURED AMOUNTS OF THE ADHESIVE CHEMICAL.

TREE SCHEDULE

STATION	LT/RT	TREE FRAME & GRATE	GINKGO BILOBA "AUTUMN GOLD" 2.5"	GLEDITSIA TRIACANTHUS INERMIS, 2" "MORAINE" HONEYLOCUST	TREE REMOV 6-15	TREE REMOVAL UNDER 6 (IN DIA)
		XX002918	A2004514	A2004916	20100110	20100700
WEST MAIN STREET						
11+10	RT			1		
11+45	LT			1		
12+70	RT		1			
12+95	LT		1			
14+50	LT			1		
16+05	LT		1			
16+05	RT		1			
18+35	RT			1		
18+50	LT			1		
20+00	RT		1			
20+10	LT		1			
21+85	RT	1		1		
21+85	LT	1		1		
22+02	LT				8	
22+70	RT	1	1			
22+70	LT	1	1			
23+50	RT	1		1		
23+50	LT	1		1		
24+20	LT	1	1			
24+25	RT	1	1			
24+80	LT	1		1		
25+00	RT	1		1		
26+55	LT	1	1			
27+50	LT	1		1		1
27+60	RT	1		1		
27+62	RT					3
28+30	RT	1	1			
28+30	LT	1	1			
28+27	LT					3
28+30	RT					2
SUBTOTALS		16	13	13	8	9
CLINTON STREET						
50+70	RT		1			
50+85	LT		1			
51+55	LT			1		
52+60	LT	1	1			
52+60	RT	1	1			
53+35	LT	1		1		
53+35	RT	1		1		
54+60	LT	1	1			
54+60	RT	1	1			
55+30	RT	1		1		
55+58	LT	1		1		
SUBTOTALS		8	6	5	0	0
TOTAL		23	19	18	8	9



TREE GRATE PLAN VIEW
(NOT TO SCALE)



STREET TREE PLANTING DETAIL
(NOT TO SCALE)

NOTE:
ELECTRICAL CONDUIT WILL ONLY BE ALLOWED IN THE OUTER 6" OF THE TREE WELL